



Industrial & Electrical Components

# Relay Socket

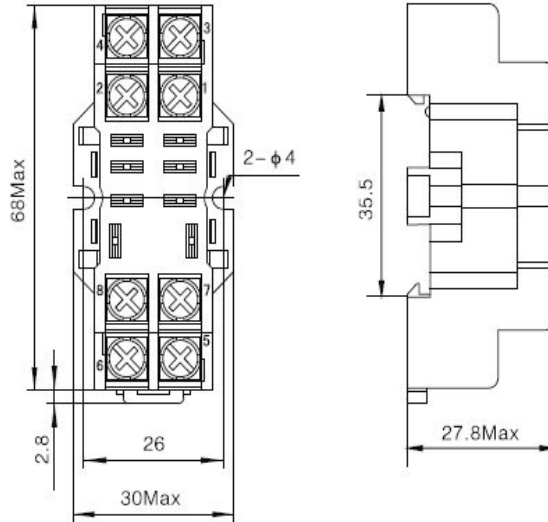
Part No.

PTF08A  
PTF11A  
PTF14A

## PTF08A



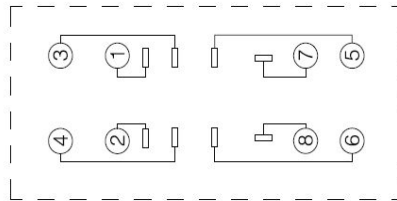
## OUTLINE DIMENSIONS



## SPECIFICATION

Rated Load	Current	10A
	Voltage	300V
Dielectric Strength		2500V
Ambient Temperature		-40~+75°C
Socket Material		Flame retardance PA46-S250F6(V0)
Contacts Spring Material		QSn6.5-0.1
Clamp Spring Material		Plastic
Module		No

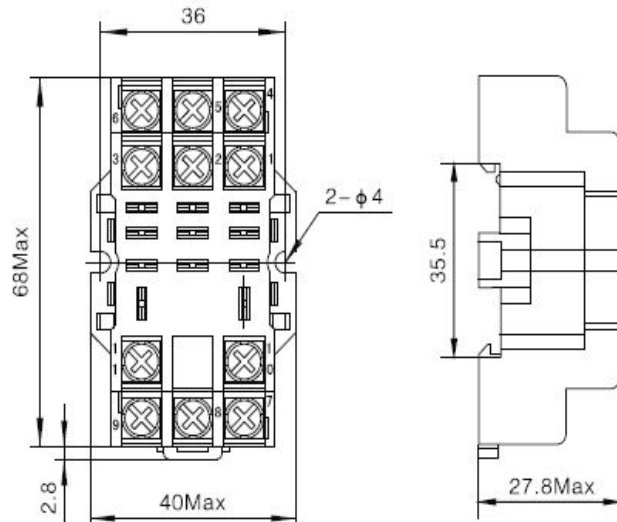
## DIAGRAM



## PTF11A



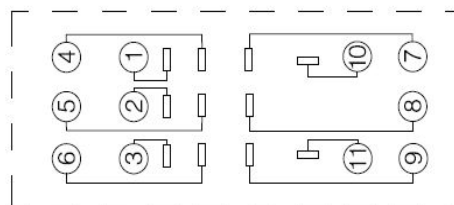
## OUTLINE DIMENSIONS



## SPECIFICATION

Rated Load	Current	10A
	Voltage	300V
Dielectric Strength		2500V
Ambient Temperature		-40~+75°C
Socket Material		Flame retardance PA46-S250F6(V0)
Contacts Spring Material		QSn6.5-0.1
Clamp Spring Material		Plastic
Module		No

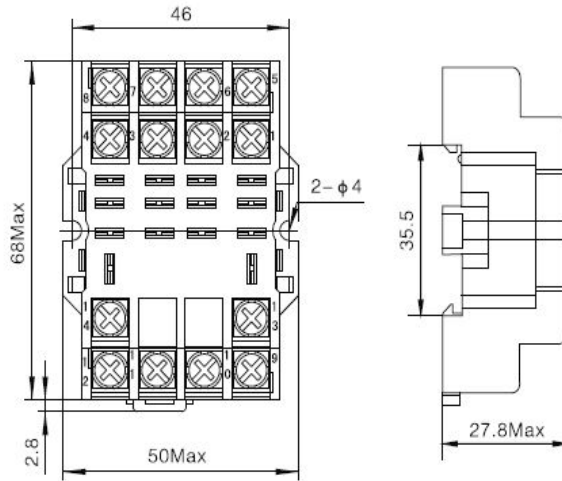
## DIAGRAM



# PTF14A



# OUTLINE DIMENSIONS



# SPECIFICATION

Rated Load	Current	10A
	Voltage	300V
Dielectric Strength		2500V
Ambient Temperature		-40~+75°C
Socket Material		Flame retardance PA46-S250F6(V0)
Contacts Spring Material		QSn6.5-0.1
Clamp Spring Material		Plastic
Module		No

# DIAGRAM

