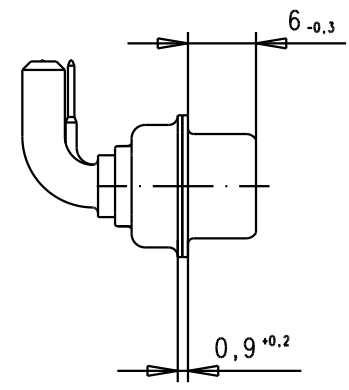
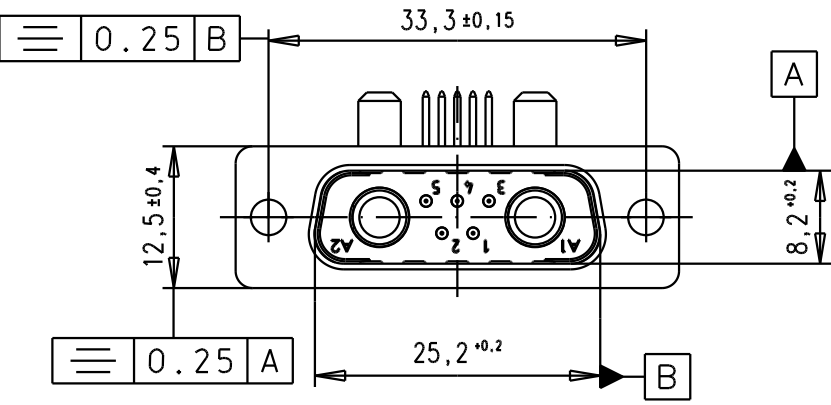
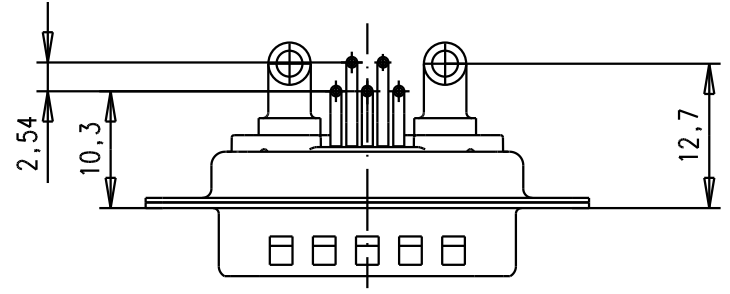


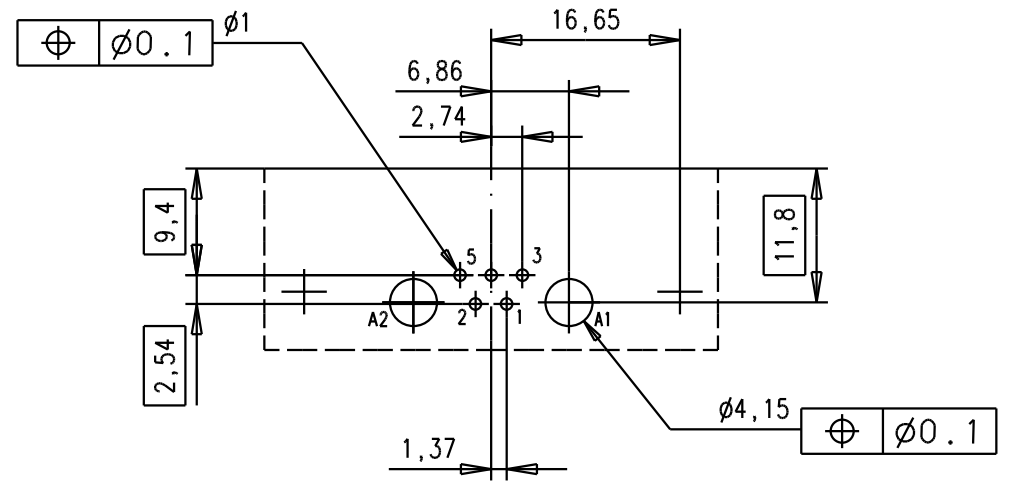
D



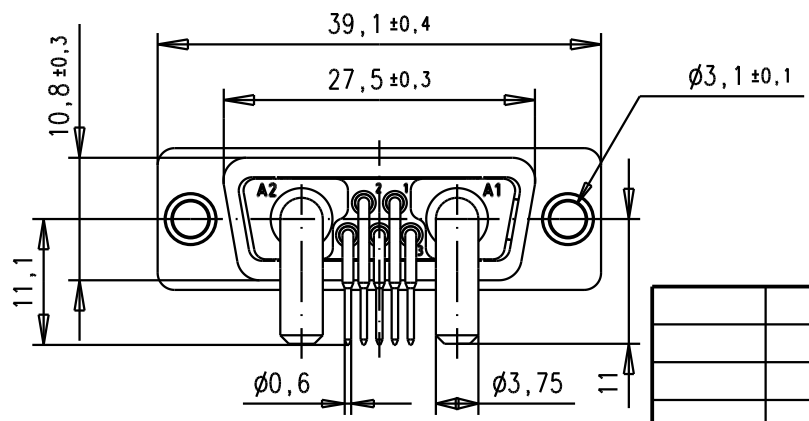
C



PCB hole pattern, mounting side



B



A

							D-Sub, male, right angle, 7W2, 40 Amps, solder pins	Maßstab/ Scale 1.5:1	
			Detail.	05-AUG-03	TCP				All Dim. in mm Orig. Size DIN A 4
			Insp.						
			Stand.						
31531	05-AUG-03	TCP	HARTING EURL F-95972 Paris				TB 09692009049	Blatt/ Page 1	
Mod.	Dat.	Name							Sub.