


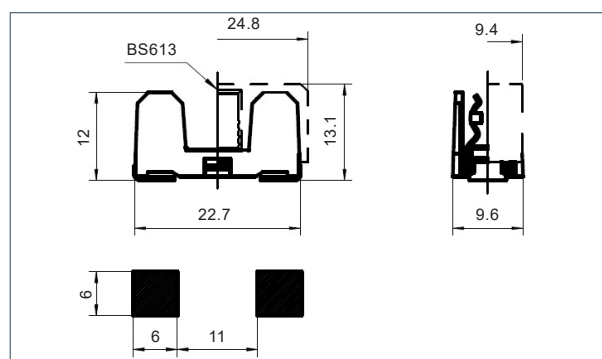
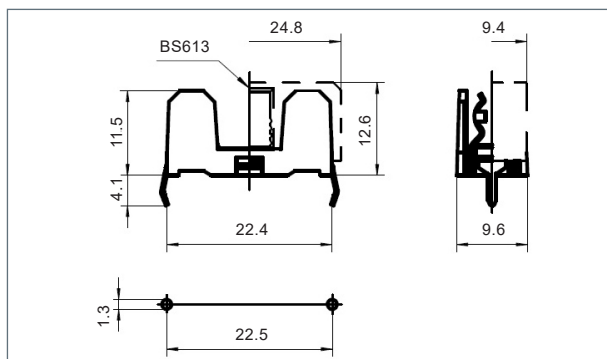
5x20mm PCB fuse carriers SMD and THR

Product overview

- PCB mounting
- Fuse retaining insulation cover
- Enclosed contacts
- 22.5mm pitch
- Moulded in black UL94-V0 flame retardant thermoplastic
- EN60127-6
- Suitable for through hole reflow (THR) process
-  approved (approvals do not apply to cover)

PART NO.	TYPE
CFH22SMD	Surface mount
CFH22THR	Through hole reflow
CFH22H	Fuse holder cover

SPECIFICATION	
Rating	VDE - 10A/250VAC UL - 20A/250VAC
Contacts/resistance	Tinned, nickel plated brass
Moulding	UL94-V0 thermoplastic
Temperature	-30°C to 85°C
Operating power	4W (VDE)
Recommended PCB hole size	1.3mm (THR)
Solderability	Reflow 245°C/30 sec max according to J-STD-020-D Wave 245°C/3 sec according to EN61760 (THR only)
Shocksafe category	PCI



KEY FEATURES

Surface mount or through hole | Accepts 5x20 fuses | High temperature thermoplastic

ASSOCIATED PRODUCTS

CFB0520F	- Glass 5x20mm quick blow fuses	page 228
CFB0520T	- Glass 5x20mm time delay fuses	page 228
CFB0521CF	- Ceramic 5x20mm quick blow fuses	page 229
CFB0521CT	- Ceramic 5x20mm time delay fuses	page 229