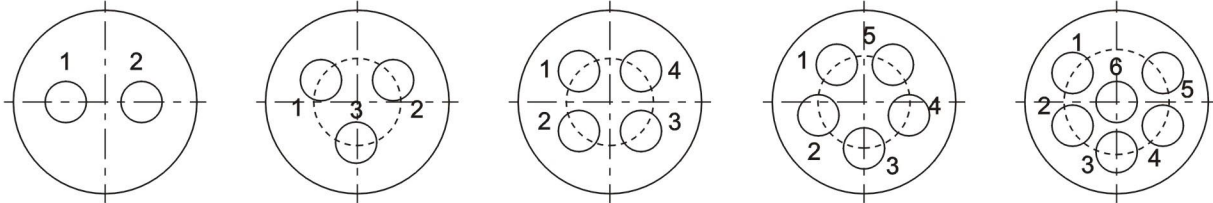




The Hole Place Arranges(comply With The Needle Direction)

孔位排列 (从针的方向看)



Technology Parameter

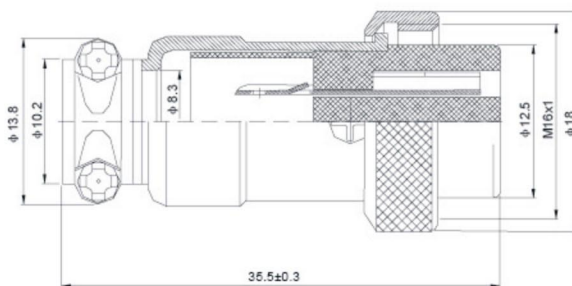
技术参数

芯数 No.Of contacts	2P	3P	4P	5P	6P
额定电流/电压 Rated current/voltage	15A-150V	15A-150V	15A-150V	15A-150V	15A-150V
工作电压 (AC.V) 分钟 Operation limit voltage(AC.V.rms)	200	200	200	200	200
耐电压 (AC.V) 分钟 Withstanding voltage(AC.V.rms) 1 minute	1500	1500	1500	1500	1500
绝缘阻抗 (MΩ) dc 500v Insulation resistance(MΩ) at dc 500v	1500	1500	1500	1500	1500
接触阻抗 (MΩ) dc 1a Contact resistance(MΩ) max.) at dc 1A	10	10	10	10	10
焊杯口径Φ(mm) Solder cup mouth aperture	0.9	0.9	0.9	0.9	0.9
接触体孔径Φ(mm) Solder inter diameter	1.15	1.15	1.15	1.15	1.15

GX16 (正)

 图例
 description-figure

 电缆式插头
 Plug of cable
 IP55


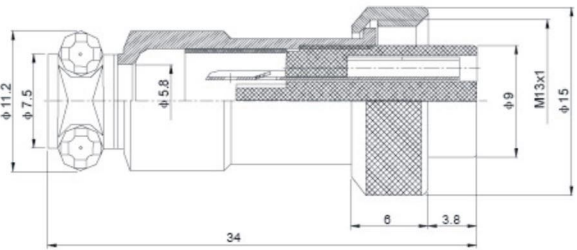

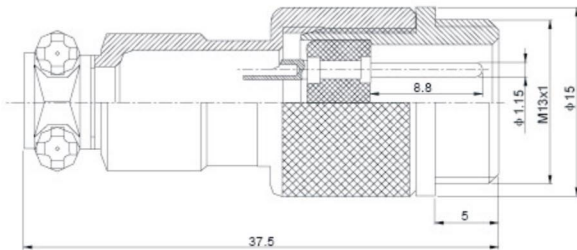

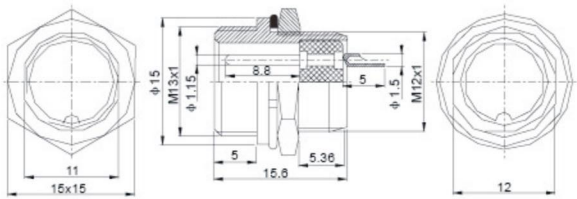

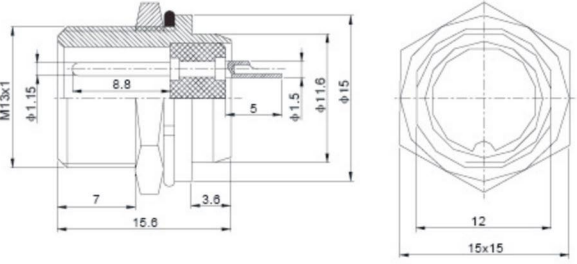
 安装尺寸图
 drawing

 芯数
 contacts

 订货号
 ordering-no

2	GX16-2A
3	GX16-3A
4	GX16-4A
5	GX16-5A
6	GX16-6A
7	GX16-7A
8	GX16-8A
9	GX16-9A
10	GX16-10A



GX12

图例 description-figure	安装尺寸图 drawing	芯数 contacts	产品型号 ordering-no
 <p>电缆式插头 Plug of cable IP55</p>		2	GX12-2A
 <p>电缆对接式插座 Cable docks the dyadic attachment socket IP55</p>		2	GX12-2K
 <p>正装插座 Be installing a socket IP55</p>		2	GX12-2B
 <p>穿墙式插座 Penetrate a wall assembling a socket IP55</p>		2	GX12-2F
		3	GX12-3A
		4	GX12-4A
		5	GX12-5A
		6	GX12-6A
		3	GX12-3K
		4	GX12-4K
		5	GX12-5K
		6	GX12-6K
		3	GX12-3B
		4	GX12-4B
		5	GX12-5B
		6	GX12-6B
		3	GX12-3F
		4	GX12-4F
		5	GX12-5F
		6	GX12-6F