

SAC-4P- 2,0-28R/FR SCO RAIL - Sensor/actuator cable



1407320

<https://www.phoenixcontact.com/us/products/1407320>

Please be informed that the data shown in this PDF document is generated from our Online Catalog. Please find the complete data in the user documentation. Our General Terms of Use for Downloads are valid.



Sensor/actuator cable, 4-position, PE-X halogen-free, black RAL 9005, shielded, free cable end, on Socket angled M12 SPEEDCON, coding: A, cable length: 2 m, For railway applications

Your advantages

- Easy and safe: 100% electrically tested plug-in components
- Securely locked by special vibration brake
- Resistant to temperature influences – tested for an extended temperature range and for resistance to temperature shocks
- Reliable signal transmission – 360° shielding in environments with electromagnetic interference

Commercial Data

Item number	1407320
Packing unit	1 pc
Minimum order quantity	1 pc
Sales Key	BF03
Product Key	BF1CCA
Catalog Page	Page 131 (C-4-2013)
GTIN	4046356774369
Weight per Piece (including packing)	123 g
Weight per Piece (excluding packing)	120 g
Customs tariff number	85444290
Country of origin	PL

SAC-4P- 2,0-28R/FR SCO RAIL - Sensor/actuator cable



1407320

<https://www.phoenixcontact.com/us/products/1407320>

Technical Data

Notes

General	Further products with variable cable type and variable cable length can be found in the accessories section
---------	---

Product properties

Product type	Sensor/actuator cable
Number of positions	4
Application	Railway applications
No. of cable outlets	1
Shielded	yes
Coding	A

Insulation characteristics

Overvoltage category	II
Degree of pollution	3

Material specifications

Color Handle area	black
Flammability rating according to UL 94	V0
Seal material	NBR
Material of grip body	PA 6.6
Contact material	CuSn
Contact surface material	Ni/Au
Contact carrier material	PA 6.6
Material for screw connection	Zinc die-cast, nickel-plated
Standards/regulations	PA 6.6: Fire protection in rail vehicles - requirement sets R22, R23, and R24 acc. to DIN EN 45545-2 (Risk level HL1 - HL3)

Electrical properties

Contact resistance	$\leq 5 \text{ m}\Omega$
Insulation resistance	$\geq 100 \text{ M}\Omega$
Nominal voltage U_N	48 V AC
	60 V DC
Nominal current I_N	4 A
Protective circuit	unwired

Mechanical properties

Mechanical data

Insertion/withdrawal cycles	≥ 100
-----------------------------	------------

LED signaling

Status display	No
----------------	----

SAC-4P- 2,0-28R/FR SCO RAIL - Sensor/actuator cable



1407320

<https://www.phoenixcontact.com/us/products/1407320>

Status display present	No
------------------------	----

Connection data

Conductor connection

Tightening torque	0.4 Nm (M12 connector)
-------------------	------------------------

Connector


Connection 2

Coding type	A
-------------	---

Cable/line

Cable length	2 m
--------------	-----

Shielded black RADOX® [28R]

Dimensional drawing	
Cable weight	56 kg/km
Number of positions	4
Shielded	yes
Cable type	Shielded black RADOX® [28R]
Conductor structure signal line	19x 0.18 mm
AWG signal line	20
Conductor cross section	4x 0.5 mm ²
Wire diameter incl. insulation	1.43 mm
External cable diameter	5.4 mm ±0.3 mm
Outer sheath, material	PE-X
External sheath, color	black RAL 9005
Conductor material	Tin-plated Cu litz wires
Material wire insulation	PE-X
Single wire, color	White 1, white 2, white 3, white 4
Overall twist	4 wires, twisted
Optical shield covering	85 %
Max. conductor resistance	≤ 40.1 Ω/km
Nominal voltage, cable	600 V AC (Core-ground, U ₀) 1000 V AC (Core-ground, U) ≤ 720 V AC (core-ground) ≤ 1200 V AC (Core-ground, U _m) ≤ 900 V DC (Core-ground, V ₀)

SAC-4P- 2,0-28R/FR SCO RAIL - Sensor/actuator cable



1407320

<https://www.phoenixcontact.com/us/products/1407320>

	≤ 1500 V DC (core-core)
Test voltage	3500 V AC (50 Hz, 5 min.)
	8400 V DC (50 Hz, 5 min.)
Minimum bending radius, fixed installation	3 x D
Minimum bending radius, flexible installation	4 x D
Halogen-free	in accordance with EN 50267-2-1
Flame resistance	EN 60332-1-2
	EN 50266
	EN 50305, 9.1.2
	NF C32-070, 2.1
	NF C32-070, 2.2
	UL 1685, 12 (FT4)
	in accordance with ISO 6722-1 5.22 (UN ECE-R 118.01)
Fume corrosiveness	EN 50267-2-2
Fume toxicity	BS 6853 B.1
	EN 50305, 9.2
Concentration of fumes	BS 6853 D.8.7
	EN 61034-2
	UL 1685, 12 (FT4)
Resistance to oil	according to IRM 902, 72 h at 100 °C
Fire protection in rail vehicles	BS 6853 (Category Ia, Ib, II)
	GM/RT 2130 (Category Ia, Ib, II)
	EN 45545 (Risk level HL1 - HL3)
	DIN 5510 (Fire protection level 1, 2, 3, 4)
	NF F16-101 (Category A1, A2, B)
	NF F16-101 (Class C/F0)
	NFPA 130
UNI CEI 11170 (Risk level LR1 - LR4)	
Other resistance	Resistance to fuels according to IRM 903, 168 h at 70 °C
Ambient temperature (operation)	-50 °C ... 120 °C (cable, fixed installation)
	-25 °C ... 90 °C (Cable, flexible installation)

Environmental and real-life conditions

Ambient conditions

Degree of protection	IP65
Ambient temperature (operation)	-40 °C ... 85 °C (Plug / socket)

Standards and regulations

Testing

Standards/regulations	PA 6.6: Fire protection in rail vehicles - requirement sets R22, R23, and R24 acc. to DIN EN 45545-2 (Risk level HL1 - HL3)
-----------------------	---

M12

Standards/specifications	IEC 61076-2-101
--------------------------	-----------------

SAC-4P- 2,0-28R/FR SCO RAIL - Sensor/actuator cable



1407320

<https://www.phoenixcontact.com/us/products/1407320>

Standards/specifications

EN 50155

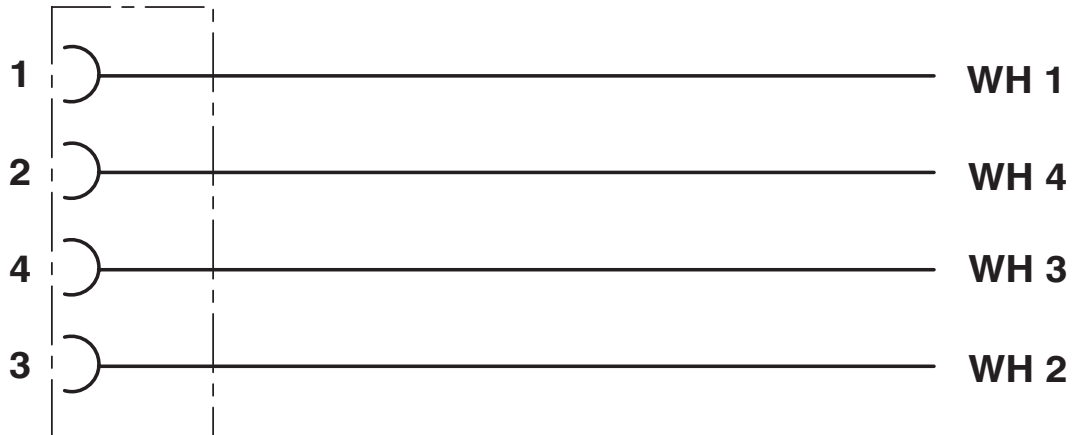
SAC-4P- 2,0-28R/FR SCO RAIL - Sensor/actuator cable

1407320

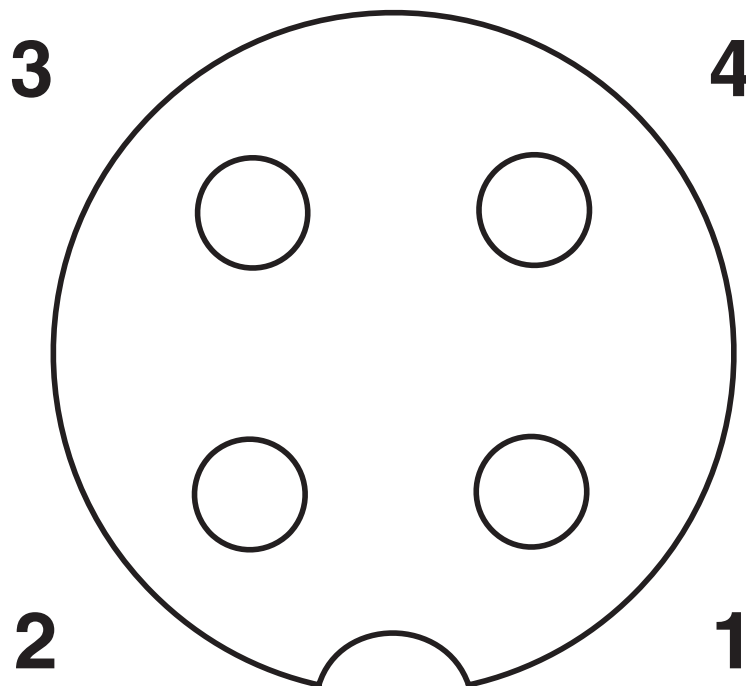
<https://www.phoenixcontact.com/us/products/1407320>

Drawings

Circuit diagram



Schematic diagram



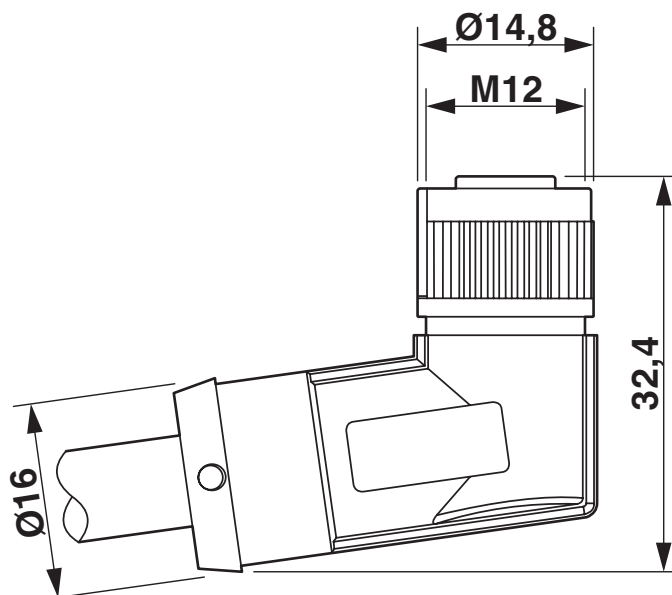
Pin assignment M12 socket, 4-pos., A-coded, view female side

SAC-4P- 2,0-28R/FR SCO RAIL - Sensor/actuator cable

1407320

<https://www.phoenixcontact.com/us/products/1407320>

Dimensional drawing



Socket M12-SPEEDCON, angled, shielded

SAC-4P- 2,0-28R/FR SCO RAIL - Sensor/actuator cable



1407320

<https://www.phoenixcontact.com/us/products/1407320>

Approvals



EAC

Approval ID: RU C-DE.BL08.B.00286



EAC

Approval ID: RU D-DE.HB35.B.00387

SAC-4P- 2,0-28R/FR SCO RAIL - Sensor/actuator cable



1407320

<https://www.phoenixcontact.com/us/products/1407320>

Classifications

ECLASS

ECLASS-9.0	27060311
ECLASS-10.0.1	27060311
ECLASS-11.0	27060311
ECLASS-12.0	27060311
ECLASS-13.0	27060311

ETIM

ETIM 8.0	EC001855
----------	----------

UNSPSC

UNSPSC 21.0	26121600
-------------	----------

SAC-4P- 2,0-28R/FR SCO RAIL - Sensor/actuator cable



1407320

<https://www.phoenixcontact.com/us/products/1407320>

Environmental Product Compliance

REACH SVHC	Dechlorane Plus
China RoHS	Environmentally friendly use period: unlimited = EFUP-e
	No hazardous substances above threshold values

SAC-4P- 2,0-28R/FR SCO RAIL - Sensor/actuator cable



1407320

<https://www.phoenixcontact.com/us/products/1407320>

Accessories

SAC-4P-MS SCO RAIL/.../... - Sensor/actuator cable

1412169

<https://www.phoenixcontact.com/us/products/1412169>



Sensor/actuator cable, 4-position, Variable cable type, shielded, Plug straight M12 SPEEDCON, coding: A, on free cable end, cable length: Free input (0.2 ... 40.0 m), For railway applications

SAC-4P-FS SCO RAIL/.../... - Sensor/actuator cable

1412167

<https://www.phoenixcontact.com/us/products/1412167>



Sensor/actuator cable, 4-position, Variable cable type, shielded, free cable end, on Socket straight M12 SPEEDCON, coding: A, cable length: Free input (0.2 ... 40.0 m), For railway applications

SAC-4P- 2,0-28R/FR SCO RAIL - Sensor/actuator cable

1407320

<https://www.phoenixcontact.com/us/products/1407320>

SAC-4P-FR SCO RAIL/.../... - Sensor/actuator cable

1412168

<https://www.phoenixcontact.com/us/products/1412168>



Sensor/actuator cable, 4-position, Variable cable type, shielded, free cable end, on Socket angled M12 SPEEDCON, coding: A, cable length: Free input (0.2 ... 40.0 m), For railway applications

SAC-4P-MS-FS SCO RAIL/.../... - Sensor/actuator cable

1412171

<https://www.phoenixcontact.com/us/products/1412171>



Sensor/actuator cable, 4-position, Variable cable type, shielded, Plug straight M12 SPEEDCON, coding: A, on Socket straight M12 SPEEDCON, coding: A, cable length: Free input (0.2 ... 40.0 m), For railway applications

SAC-4P- 2,0-28R/FR SCO RAIL - Sensor/actuator cable

1407320

<https://www.phoenixcontact.com/us/products/1407320>

TSD 04 SAC - Torque screwdriver

1208429

<https://www.phoenixcontact.com/us/products/1208429>



Torque screwdriver, with preset torque of 0.4 Nm and 4 mm hexagonal drive for M12 connectors

TSD-M 1,2NM - Torque screwdriver

1212224

<https://www.phoenixcontact.com/us/products/1212224>



Torque screw driver, accuracy as per EN ISO 6789 standard, adjustable from 0.3 - 1.2 Nm

SAC-4P- 2,0-28R/FR SCO RAIL - Sensor/actuator cable



1407320

<https://www.phoenixcontact.com/us/products/1407320>

TSD-M SAC-BIT ADAPTER - Adapter insert

1212600

<https://www.phoenixcontact.com/us/products/1212600>



Adapter bit for TSD-M...torque tools, E6.3-1/4" drive with 4 mm hexagon to accommodate SAC bits

SAC BIT M12-D15 - Tool

1208432

<https://www.phoenixcontact.com/us/products/1208432>



Nut for assembling sensor/actuator cables with M12 connector and M12 connectors for assembly, with a knurl diameter of 15 mm, for 4 mm hexagonal drive

SAC-4P- 2,0-28R/FR SCO RAIL - Sensor/actuator cable



1407320

<https://www.phoenixcontact.com/us/products/1407320>

PROT-M12 MS-PA-CHAIN - Screw plug

1430899

<https://www.phoenixcontact.com/us/products/1430899>

M12 sealing cap with fixing band, for sensor cables, for free M12 sockets



SAC-M12-EXCLIP-F - Locking clip

1558991

<https://www.phoenixcontact.com/us/products/1558991>

Locking clip for the socket side of sensor/actuator cables with M12 connector and M12 connectors for assembly, for knurl diameter: 15 mm or for Allen key with a wrench size of 14 mm, prevents the disconnection of plug-in connections without tools



SAC-4P- 2,0-28R/FR SCO RAIL - Sensor/actuator cable

1407320

<https://www.phoenixcontact.com/us/products/1407320>

B-STIFT - Marker pen

1051993

<https://www.phoenixcontact.com/us/products/1051993>



Marker pen, for manual labeling of unprinted Zack strips, smear-proof and waterproof, line thickness 0.5 mm

PATG HF 3/18 - Conductor marker carrier

1014059

<https://www.phoenixcontact.com/us/products/1014059>



Conductor marker carrier, transparent/black, unlabeled, mounting type: slide-on, cable diameter range: 4 ... 7 mm, lettering field size: 18 x 4 mm

SAC-4P- 2,0-28R/FR SCO RAIL - Sensor/actuator cable

1407320

<https://www.phoenixcontact.com/us/products/1407320>

PATG HF 3/23 - Conductor marker carrier

1014060

<https://www.phoenixcontact.com/us/products/1014060>



Conductor marker carrier, transparent/black, unlabeled, mounting type: slide-on, cable diameter range: 4 ... 7 mm, lettering field size: 23 x 4 mm

PATG HF 3/30 - Conductor marker carrier

1014061

<https://www.phoenixcontact.com/us/products/1014061>



Conductor marker carrier, transparent/black, unlabeled, mounting type: slide-on, cable diameter range: 4 ... 7 mm, lettering field size: 30 x 4 mm

SAC-4P- 2,0-28R/FR SCO RAIL - Sensor/actuator cable

1407320

<https://www.phoenixcontact.com/us/products/1407320>

PATG HF 4/18 - Conductor marker carrier

1014065

<https://www.phoenixcontact.com/us/products/1014065>



Conductor marker carrier, transparent/black, unlabeled, mounting type: slide-on, cable diameter range: 5 ... 10 mm, lettering field size: 18 x 4 mm

PATG HF 4/23 - Conductor marker carrier

1014066

<https://www.phoenixcontact.com/us/products/1014066>



Conductor marker carrier, transparent/black, unlabeled, mounting type: slide-on, cable diameter range: 5 ... 10 mm, lettering field size: 23 x 4 mm

SAC-4P- 2,0-28R/FR SCO RAIL - Sensor/actuator cable

1407320

<https://www.phoenixcontact.com/us/products/1407320>

PATG HF 4/30 - Conductor marker carrier

1014067

<https://www.phoenixcontact.com/us/products/1014067>



Conductor marker carrier, transparent/black, unlabeled, mounting type: slide-on, cable diameter range: 5 ... 10 mm, lettering field size: 30 x 4 mm

KMK HP (25X6) - Cable marker carrier

0830720

<https://www.phoenixcontact.com/us/products/0830720>



Cable marker carrier, transparent, unlabeled, mounting type: Assembly with cable ties, cable diameter: ≥ 6 mm, lettering field size: 25 x 6 mm

SAC-4P- 2,0-28R/FR SCO RAIL - Sensor/actuator cable



1407320

<https://www.phoenixcontact.com/us/products/1407320>

KMK HP (29X8) - Cable marker carrier

0830721

<https://www.phoenixcontact.com/us/products/0830721>

Cable marker carrier, transparent, unlabeled, mounting type: Assembly with cable ties, cable diameter: ≥ 6 mm, lettering field size: 29 x 8 mm

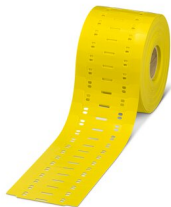


WMTB HF (40X12)R YE - Cable marker

0830408

<https://www.phoenixcontact.com/us/products/0830408>

Cable marker, Roll, yellow, unlabeled, can be labeled with: THERMOMARK E. 300 (D)/600 (D), THERMOMARK ROLL 2.0, THERMOMARK ROLL, THERMOMARK ROLL X1, THERMOMARK ROLLMASTER 300/600, THERMOMARK X1.2, mounting type: Assembly with cable ties, cable diameter: ≥ 6 mm, lettering field size: 40 x 12 mm, Number of individual labels: 1000



SAC-4P- 2,0-28R/FR SCO RAIL - Sensor/actuator cable



1407320

<https://www.phoenixcontact.com/us/products/1407320>

WMTB HF (55X15)R YE - Cable marker

0830410

<https://www.phoenixcontact.com/us/products/0830410>



Cable marker, Roll, yellow, unlabeled, can be labeled with: THERMOMARK E. 300 (D)/600 (D), THERMOMARK ROLL 2.0, THERMOMARK ROLL, THERMOMARK ROLL X1, THERMOMARK ROLLMASTER 300/600, THERMOMARK X1.2, mounting type: Assembly with cable ties, cable diameter: ≥ 6 mm, lettering field size: 55 x 15 mm, Number of individual labels: 1000

WMTB HF (55X25)R YE - Cable marker

0830412

<https://www.phoenixcontact.com/us/products/0830412>



Cable marker, Roll, yellow, unlabeled, can be labeled with: THERMOMARK E. 300 (D)/600 (D), THERMOMARK ROLL 2.0, THERMOMARK ROLL, THERMOMARK ROLL X1, THERMOMARK ROLLMASTER 300/600, THERMOMARK X1.2, mounting type: Assembly with cable ties, cable diameter: ≥ 6 mm, lettering field size: 55 x 25 mm, Number of individual labels: 500

SAC-4P- 2,0-28R/FR SCO RAIL - Sensor/actuator cable



1407320

<https://www.phoenixcontact.com/us/products/1407320>

WMS-2 HF 6,4 (60X10)RL YE - Shrink sleeve

0801025

<https://www.phoenixcontact.com/us/products/0801025>



Shrink sleeve, Roll, yellow, unlabeled, can be labeled with: THERMOMARK E. 300 (D)/600 (D), THERMOMARK ROLLMASTER 300/600, THERMOMARK ROLL X1, THERMOMARK ROLL, THERMOMARK ROLL 2.0, THERMOMARK W, THERMOMARK X1.2, unperforated, mounting type: slide-on, cable diameter range: 3.2 ... 6.4 mm, lettering field size: 60 x 10 mm, Number of individual labels: 1000

WMS-2 HF 6,4 (EX10)RL YE - Shrink sleeve

0833244

<https://www.phoenixcontact.com/us/products/0833244>



Shrink sleeve, Roll, yellow, unlabeled, can be labeled with: THERMOMARK E. SLEEVE, THERMOMARK E.300 (D)/600 (D), THERMOMARK ROLLMASTER 300/600, THERMOMARK ROLL X1, THERMOMARK ROLL, THERMOMARK ROLL 2.0, THERMOMARK W, THERMOMARK X1.2, unperforated, mounting type: slide-on, cable diameter range (automated processing): 3.2 ... 5 mm, cable diameter range: 3.2 ... 6.4 mm, lettering field size: 10 x 10000 mm, roll length: 100 m

SAC-4P- 2,0-28R/FR SCO RAIL - Sensor/actuator cable

1407320

<https://www.phoenixcontact.com/us/products/1407320>

WMS-2 HF 9,5 (60X16)RL YE - Shrink sleeve

0801029

<https://www.phoenixcontact.com/us/products/0801029>



Shrink sleeve, Roll, yellow, unlabeled, can be labeled with: THERMOMARK E. 300 (D)/600 (D), THERMOMARK ROLLMASTER 300/600, THERMOMARK ROLL X1, THERMOMARK ROLL, THERMOMARK ROLL 2.0, THERMOMARK W, THERMOMARK X1.2, unperforated, mounting type: slide-on, cable diameter range: 4.8 ... 9.5 mm, lettering field size: 60 x 16 mm, Number of individual labels: 500

WMS-2 HF 9,5 (EX16)RL YE - Shrink sleeve

0833245

<https://www.phoenixcontact.com/us/products/0833245>



Shrink sleeve, Roll, yellow, unlabeled, can be labeled with: THERMOMARK E. SLEEVE, THERMOMARK E.300 (D)/600 (D), THERMOMARK ROLLMASTER 300/600, THERMOMARK ROLL X1, THERMOMARK ROLL, THERMOMARK ROLL 2.0, THERMOMARK W, THERMOMARK X1.2, unperforated, mounting type: slide-on, cable diameter range (automated processing): 4.8 ... 8 mm, cable diameter range: 4.8 ... 9.5 mm, lettering field size: 16 x 80000 mm, roll length: 80 m

SAC-4P- 2,0-28R/FR SCO RAIL - Sensor/actuator cable



1407320

<https://www.phoenixcontact.com/us/products/1407320>

UCT-WMCO 5,4 (23X8) - Wire marking

0832105

<https://www.phoenixcontact.com/us/products/0832105>



Wire marking, Sheet, white, unlabeled, can be labeled with: TOPMARK NEO, TOPMARK LASER, BLUEMARK ID COLOR, BLUEMARK ID, BLUEMARK CLED, THERMOMARK PRIME, THERMOMARK CARD 2.0, THERMOMARK CARD, mounting type: clip on, cable diameter range: 4.7 ... 5.4 mm, lettering field size: 23 x 8 mm, Number of individual labels: 18

UCT-WMCO 6,1 (23X8) - Wire marking

0832106

<https://www.phoenixcontact.com/us/products/0832106>



Wire marking, Sheet, white, unlabeled, can be labeled with: TOPMARK NEO, TOPMARK LASER, BLUEMARK ID COLOR, BLUEMARK ID, BLUEMARK CLED, THERMOMARK PRIME, THERMOMARK CARD 2.0, THERMOMARK CARD, mounting type: clip on, cable diameter range: 5.4 ... 6.1 mm, lettering field size: 23 x 8 mm, Number of individual labels: 18

SAC-4P- 2,0-28R/FR SCO RAIL - Sensor/actuator cable



1407320

<https://www.phoenixcontact.com/us/products/1407320>

UCT-WMCO 6,8 (23X8) - Wire marking

0832107

<https://www.phoenixcontact.com/us/products/0832107>



Wire marking, Sheet, white, unlabeled, can be labeled with: TOPMARK NEO, TOPMARK LASER, BLUEMARK ID COLOR, BLUEMARK ID, BLUEMARK CLED, THERMOMARK PRIME, THERMOMARK CARD 2.0, THERMOMARK CARD, mounting type: clip on, cable diameter range: 6.1 ... 6.8 mm, lettering field size: 23 x 8 mm, Number of individual labels: 15

UCT-WMCO 7,5 (23X8) - Wire marking

0832108

<https://www.phoenixcontact.com/us/products/0832108>



Wire marking, Sheet, white, unlabeled, can be labeled with: TOPMARK NEO, TOPMARK LASER, BLUEMARK ID COLOR, BLUEMARK ID, BLUEMARK CLED, THERMOMARK PRIME, THERMOMARK CARD 2.0, THERMOMARK CARD, mounting type: clip on, cable diameter range: 6.8 ... 7.5 mm, lettering field size: 23 x 8 mm, Number of individual labels: 15

SAC-4P- 2,0-28R/FR SCO RAIL - Sensor/actuator cable



1407320

<https://www.phoenixcontact.com/us/products/1407320>

WMTB-AL (40X15) - Cable marker

0830524

<https://www.phoenixcontact.com/us/products/0830524>



Cable marker, Aluminum label, aluminum color, unlabeled, can be labeled with: BLUEMARK ID COLOR, BLUEMARK ID, BLUEMARK CLED, mounting type: Assembly with cable ties, cable diameter: > 4.6 mm, lettering field size: 40 x 15 mm

WMTB-AL (60X15) - Cable marker

0830525

<https://www.phoenixcontact.com/us/products/0830525>



Cable marker, Aluminum label, aluminum color, unlabeled, can be labeled with: BLUEMARK ID COLOR, BLUEMARK ID, BLUEMARK CLED, mounting type: Assembly with cable ties, cable diameter: > 4.6 mm, lettering field size: 60 x 15 mm

SAC-4P- 2,0-28R/FR SCO RAIL - Sensor/actuator cable



1407320

<https://www.phoenixcontact.com/us/products/1407320>

LS-WMTB-AL (40X15) - Cable marker

0831501

<https://www.phoenixcontact.com/us/products/0831501>

Cable marker, Aluminum label, aluminum color, unlabeled, can be labeled with: TOPMARK NEO, TOPMARK LASER, mounting type: Assembly with cable ties, cable diameter: > 4.6 mm, lettering field size: 40 x 15 mm, Number of individual labels: 16



LS-WMTB-AL (40X15) BK - Cable marker

0831509

<https://www.phoenixcontact.com/us/products/0831509>

Cable marker, Aluminum label, black, unlabeled, can be labeled with: TOPMARK NEO, TOPMARK LASER, mounting type: Assembly with cable ties, cable diameter: > 4.6 mm, lettering field size: 40 x 15 mm, Number of individual labels: 16



SAC-4P- 2,0-28R/FR SCO RAIL - Sensor/actuator cable



1407320

<https://www.phoenixcontact.com/us/products/1407320>

LS-WMTB-AL (60X15) - Cable marker

0831502

<https://www.phoenixcontact.com/us/products/0831502>

Cable marker, Aluminum label, aluminum color, unlabeled, can be labeled with: TOPMARK NEO, TOPMARK LASER, mounting type: Assembly with cable ties, cable diameter: > 4.6 mm, lettering field size: 60 x 15 mm, Number of individual labels: 16



LS-WMTB-AL (60X15) BK - Cable marker

0831510

<https://www.phoenixcontact.com/us/products/0831510>

Cable marker, Aluminum label, black, unlabeled, can be labeled with: TOPMARK NEO, TOPMARK LASER, mounting type: Assembly with cable ties, cable diameter: > 4.6 mm, lettering field size: 60 x 15 mm, Number of individual labels: 16



SAC-4P- 2,0-28R/FR SCO RAIL - Sensor/actuator cable



1407320

<https://www.phoenixcontact.com/us/products/1407320>

LS-WMTB-AL (100X15) - Cable marker

0831503

<https://www.phoenixcontact.com/us/products/0831503>

Cable marker, Aluminum label, aluminum color, unlabeled, can be labeled with: TOPMARK NEO, TOPMARK LASER, mounting type: Assembly with cable ties, cable diameter: > 4.6 mm, lettering field size: 100 x 15 mm, Number of individual labels: 8



LS-WMTB-AL (100X15) BK - Cable marker

0831511

<https://www.phoenixcontact.com/us/products/0831511>

Cable marker, Aluminum label, black, unlabeled, can be labeled with: TOPMARK NEO, TOPMARK LASER, mounting type: Assembly with cable ties, cable diameter: > 4.6 mm, lettering field size: 100 x 15 mm, Number of individual labels: 8



SAC-4P- 2,0-28R/FR SCO RAIL - Sensor/actuator cable

1407320

<https://www.phoenixcontact.com/us/products/1407320>

CUTFOX 12 - Cable-cutting tool

1212128

<https://www.phoenixcontact.com/us/products/1212128>



Cable cutter, for copper and aluminum up to 12 mm diameter (up to 35 mm²)

CUTFOX-S VDE - Diagonal cutter

1212207

<https://www.phoenixcontact.com/us/products/1212207>



Diagonal cutter for hard (piano wire) and soft wires, VDE 1000 V AC/1500 V DC tested

SAC-4P- 2,0-28R/FR SCO RAIL - Sensor/actuator cable



1407320

<https://www.phoenixcontact.com/us/products/1407320>

MICROFOX-SP-1 - Diagonal cutter

1212487

<https://www.phoenixcontact.com/us/products/1212487>



Electronic diagonal cutter, tapered head, without chamfer, with opening spring, non-reflective phosphate-treated surface, punched version

WIREFOX 4 - Stripping tool

1212156

<https://www.phoenixcontact.com/us/products/1212156>



Stripping tool, for cables and conductors (especially for rubber and silicone insulations) from 0.1 - 4 mm², self-adjusting, stripping length of up to 18 mm, cutting capacity of up to 10 mm² stranded/1.5 mm² solid, replaceable stripping blade

SAC-4P- 2,0-28R/FR SCO RAIL - Sensor/actuator cable

1407320

<https://www.phoenixcontact.com/us/products/1407320>

WIREFOX-E 4 - Stripping tool

1212704

<https://www.phoenixcontact.com/us/products/1212704>



Stripping tool, for cables and conductors (especially for rubber and silicone insulations) from 0.1 - 4 mm², self-adjusting, stripping length of up to 18 mm, cutting capacity of up to 10 mm² stranded/1.5 mm² solid, replaceable stripping blade

WIREFOX 10 - Stripping tool

1212150

<https://www.phoenixcontact.com/us/products/1212150>



Stripping tool, for cables and conductors from 0.02 - 10 mm², self-adjusting, stripping length of up to 18 mm, cutting capacity of up to 10 mm² stranded/1.5 mm² solid, replaceable stripping blade

SAC-4P- 2,0-28R/FR SCO RAIL - Sensor/actuator cable

1407320

<https://www.phoenixcontact.com/us/products/1407320>

SACC-M12MS-4QO-0,75 SH - Connector

1413993

<https://www.phoenixcontact.com/us/products/1413993>



Connector, Universal, 4-position, halogen-free, shielded, Plug straight M12, A, Insulation displacement connection, knurl material: Zinc die-cast, nickel-plated, external cable diameter 5 mm ... 9.7 mm

SACC-M12FS-4QO-0,75 SH - Connector

1413994

<https://www.phoenixcontact.com/us/products/1413994>



Connector, Universal, 4-position, halogen-free, shielded, Socket straight M12, A, Insulation displacement connection, knurl material: Zinc die-cast, nickel-plated, external cable diameter 5 mm ... 9.7 mm

SAC-4P- 2,0-28R/FR SCO RAIL - Sensor/actuator cable



1407320

<https://www.phoenixcontact.com/us/products/1407320>

SACC-M12MS-4PL SH - Connector

1424666

<https://www.phoenixcontact.com/us/products/1424666>



Connector, Universal, 4-position, shielded, Plug straight M12, A, Push-lock spring connection, knurl material: Zinc die-cast, nickel-plated, external cable diameter 4 mm ... 8 mm

SACC-M12MR-4PL SH - Connector

1424667

<https://www.phoenixcontact.com/us/products/1424667>



Connector, Universal, 4-position, shielded, Plug angled M12, A, Push-lock spring connection, knurl material: Zinc die-cast, nickel-plated, external cable diameter 4 mm ... 8 mm

SAC-4P- 2,0-28R/FR SCO RAIL - Sensor/actuator cable

1407320

<https://www.phoenixcontact.com/us/products/1407320>

SACC-M12FS-4PL SH - Connector

1424668

<https://www.phoenixcontact.com/us/products/1424668>



Connector, Universal, 4-position, shielded, Socket straight M12, A, Push-lock spring connection, knurl material: Zinc die-cast, nickel-plated, external cable diameter 4 mm ... 8 mm

SACC-M12FR-4PL SH - Connector

1424669

<https://www.phoenixcontact.com/us/products/1424669>



Connector, Universal, 4-position, shielded, Socket angled M12, A, Push-lock spring connection, knurl material: Zinc die-cast, nickel-plated, external cable diameter 4 mm ... 8 mm

SAC-4P- 2,0-28R/FR SCO RAIL - Sensor/actuator cable

1407320

<https://www.phoenixcontact.com/us/products/1407320>

SACC-M12MS-5CT-CM SH - Connector

1422850

<https://www.phoenixcontact.com/us/products/1422850>



Connector, Universal, 5-position, shielded, Plug straight M12, A, Crimp connection, knurl material: Zinc die-cast, tin-plated, external cable diameter 4.5 mm ... 7.5 mm, without crimp contacts

SACC-M12MR-5CT-CM SH - Connector

1422851

<https://www.phoenixcontact.com/us/products/1422851>



Connector, Universal, 5-position, shielded, Plug angled M12, A, Crimp connection, knurl material: Zinc die-cast, tin-plated, external cable diameter 4.5 mm ... 7.5 mm, without crimp contacts

SAC-4P- 2,0-28R/FR SCO RAIL - Sensor/actuator cable

1407320

<https://www.phoenixcontact.com/us/products/1407320>

SACC-M12FS-5CT-CM SH - Connector

1422852

<https://www.phoenixcontact.com/us/products/1422852>



Connector, Universal, 5-position, shielded, Socket straight M12, A, Crimp connection, knurl material: Zinc die-cast, tin-plated, external cable diameter 4.5 mm ... 7.5 mm, without crimp contacts

SACC-M12FR-5CT-CM SH - Connector

1422853

<https://www.phoenixcontact.com/us/products/1422853>



Connector, Universal, 5-position, shielded, Socket angled M12, A, Crimp connection, knurl material: Zinc die-cast, tin-plated, external cable diameter 4.5 mm ... 7.5 mm, without crimp contacts

SAC-4P- 2,0-28R/FR SCO RAIL - Sensor/actuator cable



1407320

<https://www.phoenixcontact.com/us/products/1407320>

SACC-PO12MS-5CT-CM SH - Connector

1021815

<https://www.phoenixcontact.com/us/products/1021815>



Connector, Universal, 5-position, shielded, Plug straight M12 Push-Pull, A, Crimp connection, knurl material: PA 6.6, external cable diameter 4.5 mm ... 7.5 mm, without crimp contacts

SACC-PO12MR-5CT-CM SH - Connector

1021816

<https://www.phoenixcontact.com/us/products/1021816>



Connector, Universal, 5-position, shielded, Plug angled M12 Push-Pull, A, Crimp connection, knurl material: PA 6.6, external cable diameter 4.5 mm ... 7.5 mm, without crimp contacts

Phoenix Contact 2023 © - all rights reserved
<https://www.phoenixcontact.com>

Phoenix Contact USA
586 Fulling Mill Road
Middletown, PA 17057, United States
(+717) 944-1300
info@phoenixcon.com