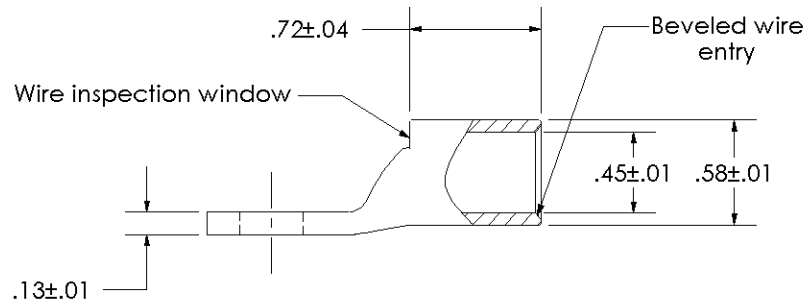
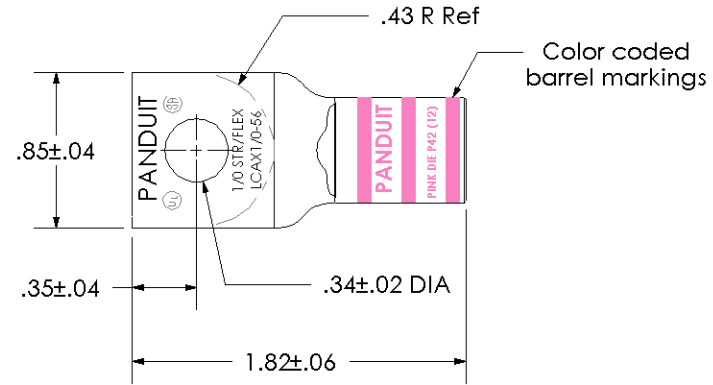


THIS COPY IS PROVIDED ON A RESTRICTED BASIS AND IS NOT TO BE USED IN ANY WAY DETRIMENTAL TO THE INTERESTS OF PANDUIT CORP.

|  |  |
|--|--|
| Material                                       | High Conductivity Seamless Copper Tube   |
| Plating  | Electro-Tin  |
| Wire Size                                      | 1/0 STR/FLEX   |
| Wire Type                                      | Stranded Copper: Class B & C, Compact, Class G, H, I, K, M, Locomotive   |
| Wire Strip Length                              | 3/4 in.  |
| Stud Size                                      | 5/16 in.   |
| UL Listed Wire Connector                       | Yes, for applications up to 35kv. Consult cable manufacturer for voltage stress relief instructions with applications greater than 2000 volts. |
| UL Temperature Rating                          | 90° C  |
| C.S.A Certified Wire Connector                 | Yes  |
| Panduit Color Code on Barrel                   | PINK   |
| Panduit Die Index No. on Barrel                | P42  |
| Alternate Industry Die Index No. ( ) on Barrel | (12)   |



**PANDUIT CORP.** TINLEY PARK, ILLINOIS

LCAX1/0-56-X  
Copper Lug - One-Hole, Standard Flex Barrel

|     |      |     |     |
|-----|------|-----|-----|
| 00  | 6/03 | CJW | SAC |
| REV | DATE | BY  | CHK |

RELEASED

10850

DESCRIPTION

ECN

SCALE  
N/A

DRAWING NO / CAD FILE

LCAX1\_0-56-CUST