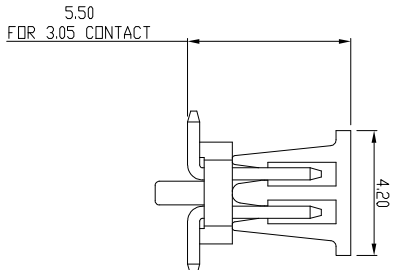
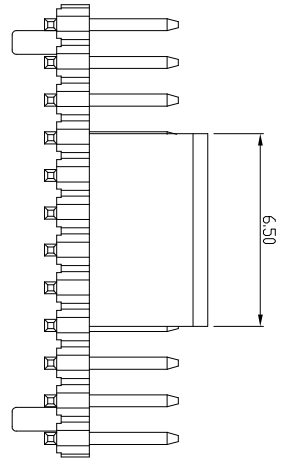
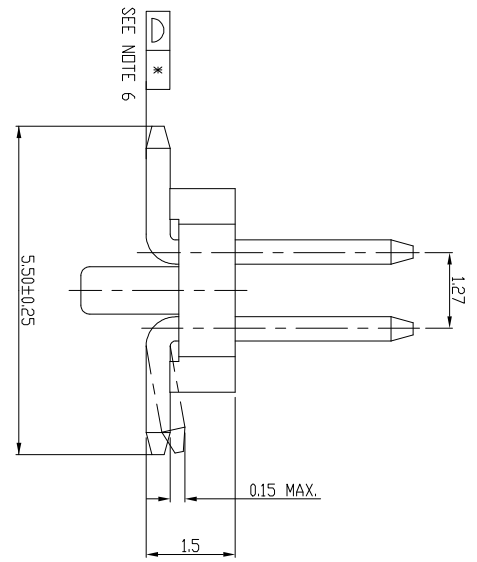
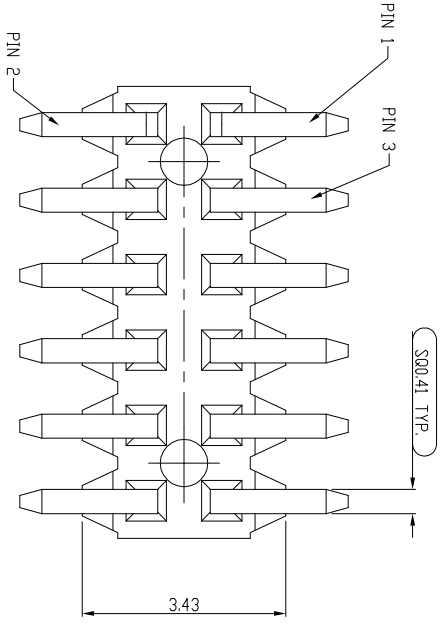
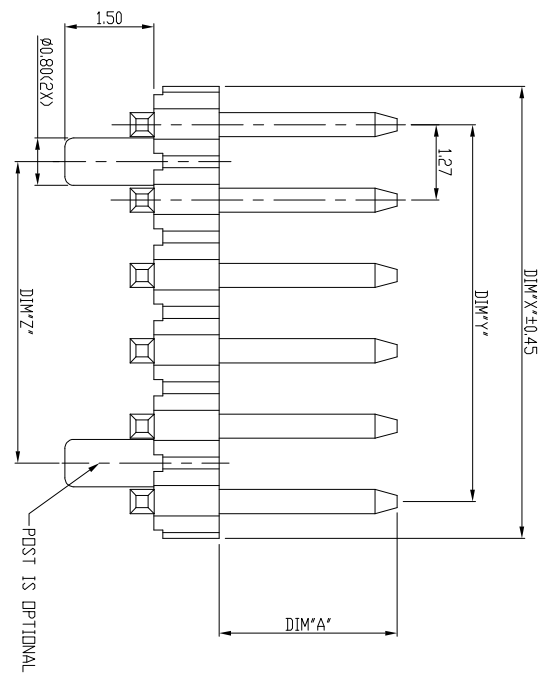


PART NO.
20021121



NOTES:
1.MATERIAL: HIGH TEMPERATURE THERMOPLASTIC, UL94-V0 BLACK.
2.TERMINAL: COPPER ALLOY
3.THE HOUSING WILL WITHSTAND EXPOSURE TO 260°C PEAK TEMPERATURE FOR 10 SECONDS IN A CONVECTION INFRARED DR. VAPOR PHASE REFLUX OVEN.
4.THIS PRODUCT MEETS EUROPEAN UNION DIRECTIVES AND OTHER COUNTRY REGULATIONS AS DESCRIBED IN GS-22-008.
5.PRODUCT SPEC: GS-14-1420
6.SPACED SPEC: GS-14-1420
7.604-38 PDS: 01mm
8.40-100 PDS: 014mm

form: A3-2016-02-24

PDS: Rev: N

STATUS: Released

Printed: Dec 19, 2017

mat'l. code	surface	tolerance	projection	product family
ISO 1302	ISO 406	ISO 1101	MINITEK127®	
tolerances unless otherwise specified	tolerance	specification		
0±.30	.00±.20	mm		
0±.20	.000±.10	mm		
scale 1:1				
title	UNSHROUDED HDR VT SMT			
product family	MINITEK127®			
dwg no	20021121	sheet 1 of 2	size	
type	Product Customer Drawing		A3	

