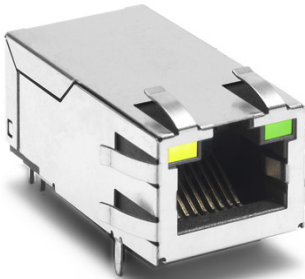





PulseJack™ Single-Port Gigabit PoE+

Description:

1000 Base-T RJ45 single port with integrated magnetics - Designed for most leading PHY manufacturers with the addition of Power over Ethernet, according to IEEE 802.3at



Features and Benefits:

-  RoHS peak wave solder temperature rating 260°C
-  Single port Connector for PoE applications
-  High performance for maximum EMI suppression

Electrical Specifications @ 25°C - Operating Temperature 0°C to +70°C

RoHS Compliant Part No.	Tab Option	LEDs ¹ L/R	Insertion Loss TX/RX (dB TYP)	Return Loss (dB TYP) 100Ω (± 15 Ω)			Crosstalk (dB TYP)			Common Mode Rejection (dB TYP)		Hipot (Vrms MIN) @ 60Hz 1 MIN
				1-100 MHz	30 MHz	60-80 MHz	100 MHz	30 MHz	60 MHz	100 MHz	1-50 MHz	
JKO-0177NL	UP	Y-G/G	-1.0	-16	-12	-10	-44	-37	-33	-27	-20	1500
JXKO-0190NL ²	UP	Y-G/G	-1.0	-16	-12	-10	-44	-37	-33	-27	-20	1500

Notes:

1. LEDs Left/Right: **G** = green; **Y** = yellow
2. JXKO: Operating temperature -40°C to +85°C.

RJ45 Durability Testing Rating

Part Number	Mating Force (MAX)	Unmating Force (MAX)	Durability	Plug to Jack Retention (MIN)
JKO/JXKO Series	5 lbs./2.268 kgs.	5 lbs./2.268 kgs.	500 Insertions	20 lbs./9.072 kgs.

RJ45 Material Specification

Part Number	Shield		Contact			Housing		MSL ² Rating
	Material	Finish	Material	Plating Area	Solder Area	Material	Specification	
JKO/JXKO Series	Brass	20-40μ inches thick Nickel over brass	Phosphor Bronze	30μ inches gold over 30-50μ inches nickel	Tin Matte finish over nickel	Thermoplastic	UL 94 V-0	1

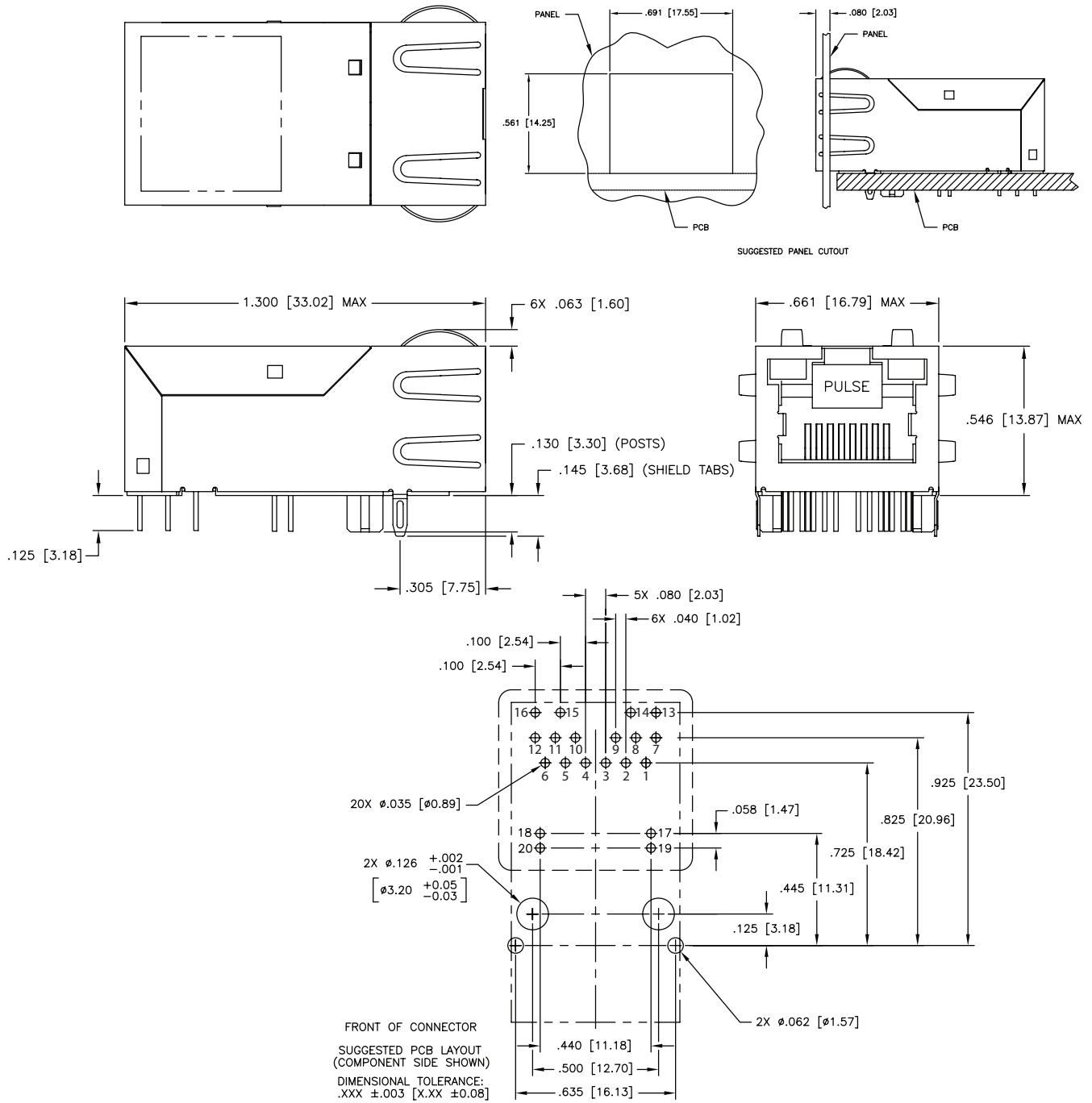
Notes:

1. Connector dimensions comply with FCC dimension requirements.
2. MSL = Moisture Sensitivity Level class limits = 1 to 5 (Highest: 1; Lowest: 5)

PulseJack™ Single-Port Gigabit PoE+

Mechanical

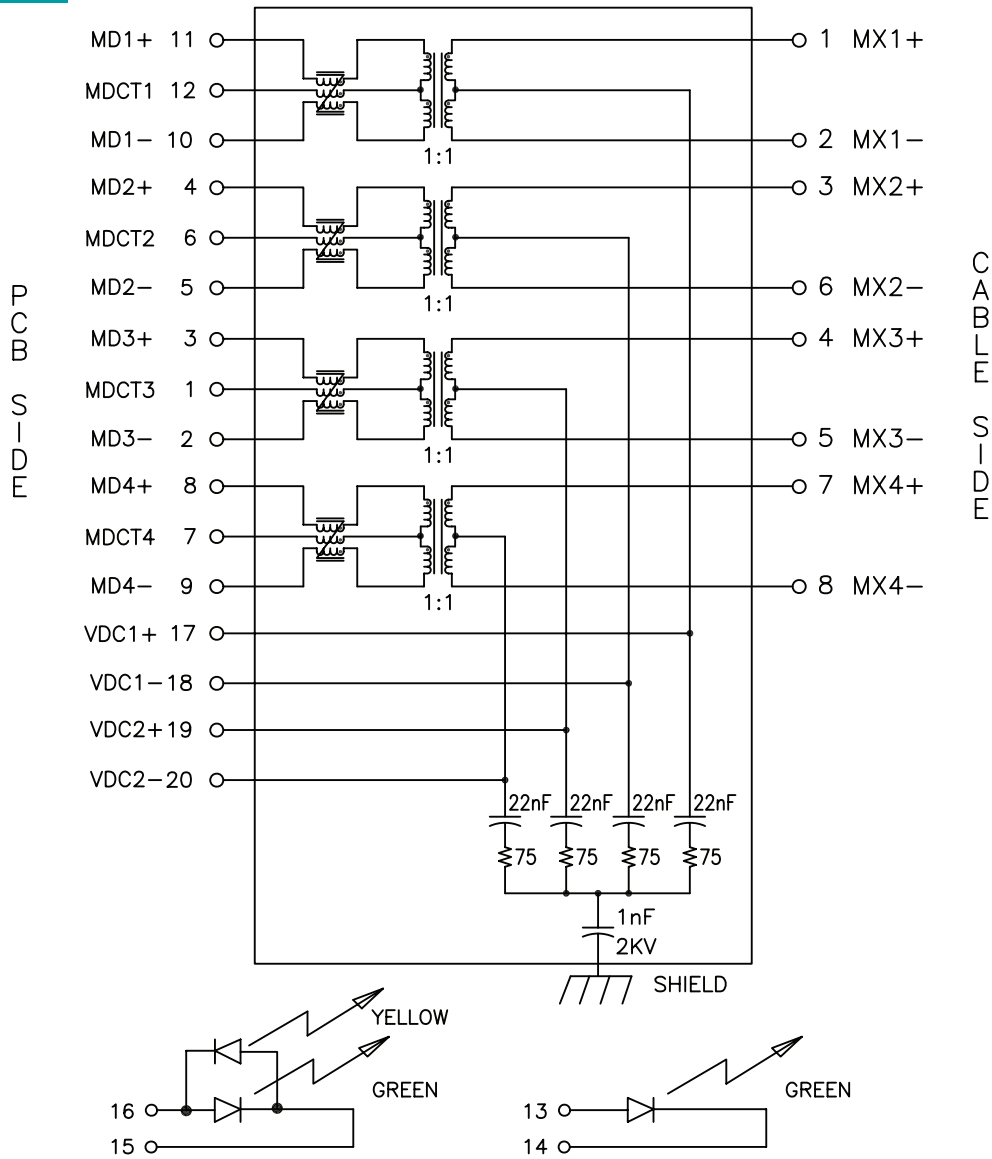
JKO-0177NL, JXKO-0190NL



PulseJack™ Single-Port Gigabit PoE+

Schematic

JKO-0177NL, JXKO-0190NL



For More Information:

Americas - prodinfonetworkamericas@pulseelectronics.com | Europe - comms-Apps-Europe@pulseelectronics.com | Asia - prodinfonetworkapac@pulseelectronics.com

Performance warranty of products offered on this data sheet is limited to the parameters specified. Data is subject to change without notice. Other brand and product names mentioned herein may be trademarks or registered trademarks of their respective owners. © Copyright, 2019. Pulse Electronics, Inc. All rights reserved.