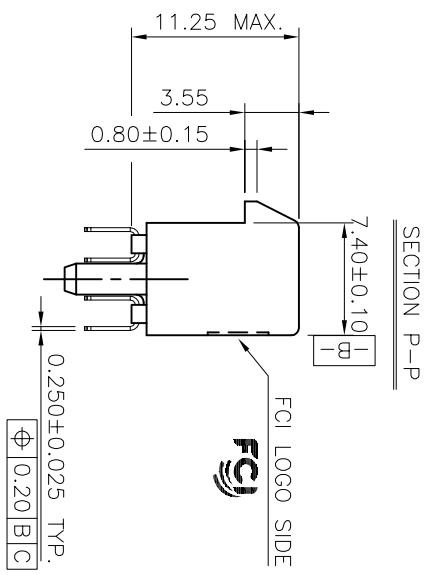
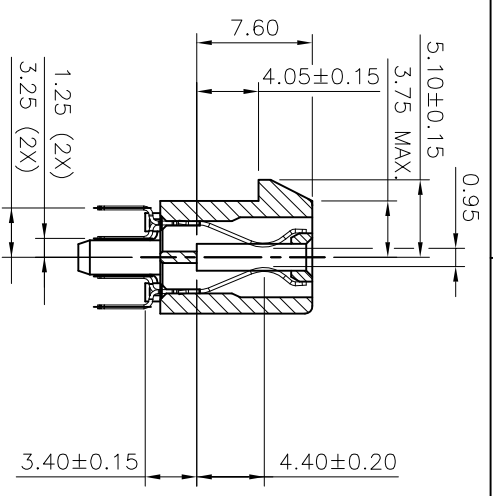
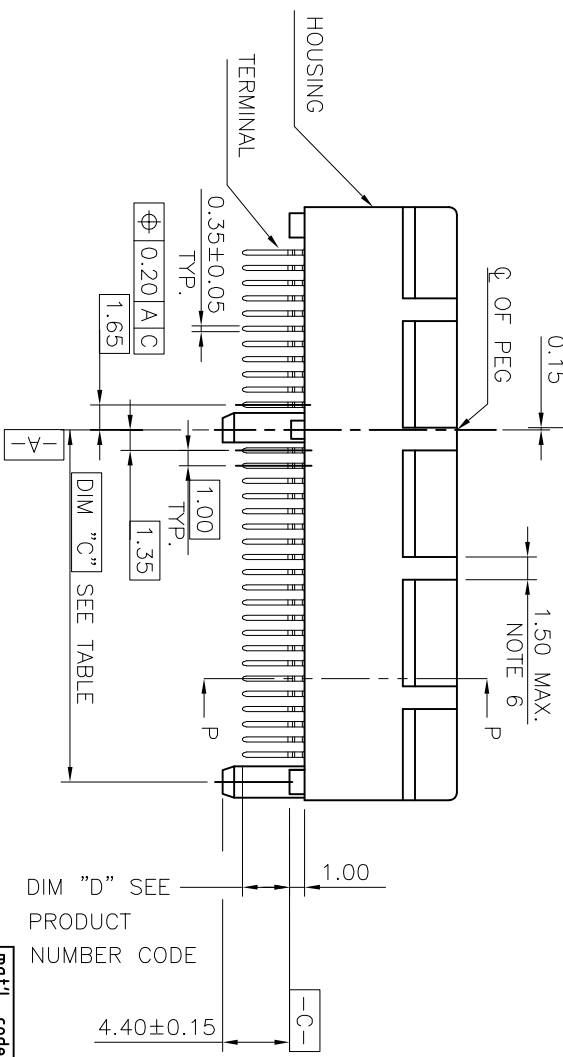
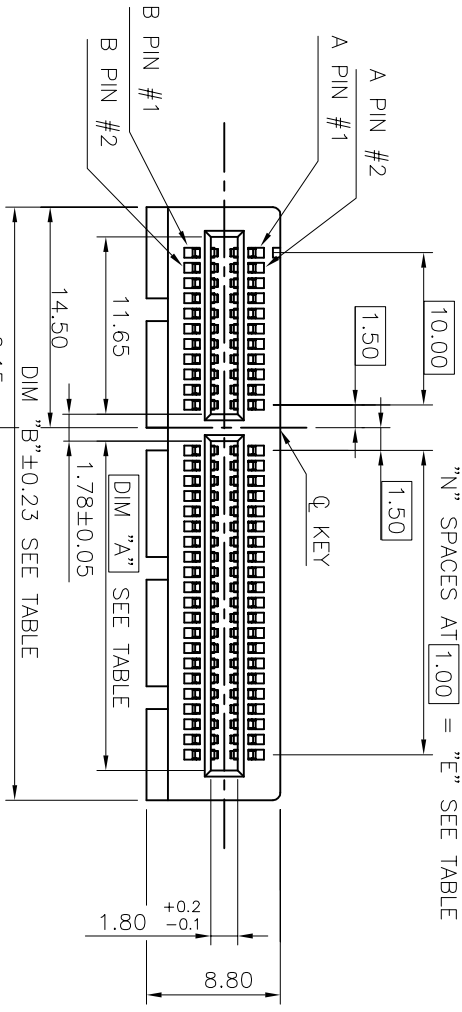
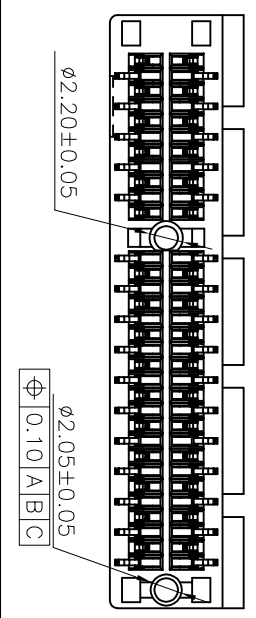


PRODUCT NO.  
10018783-XXXXXX



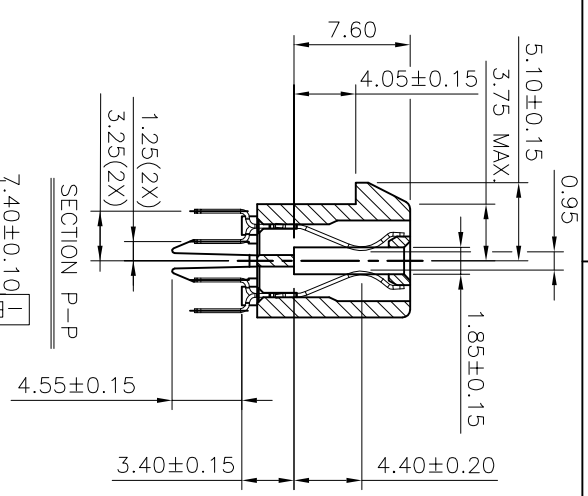
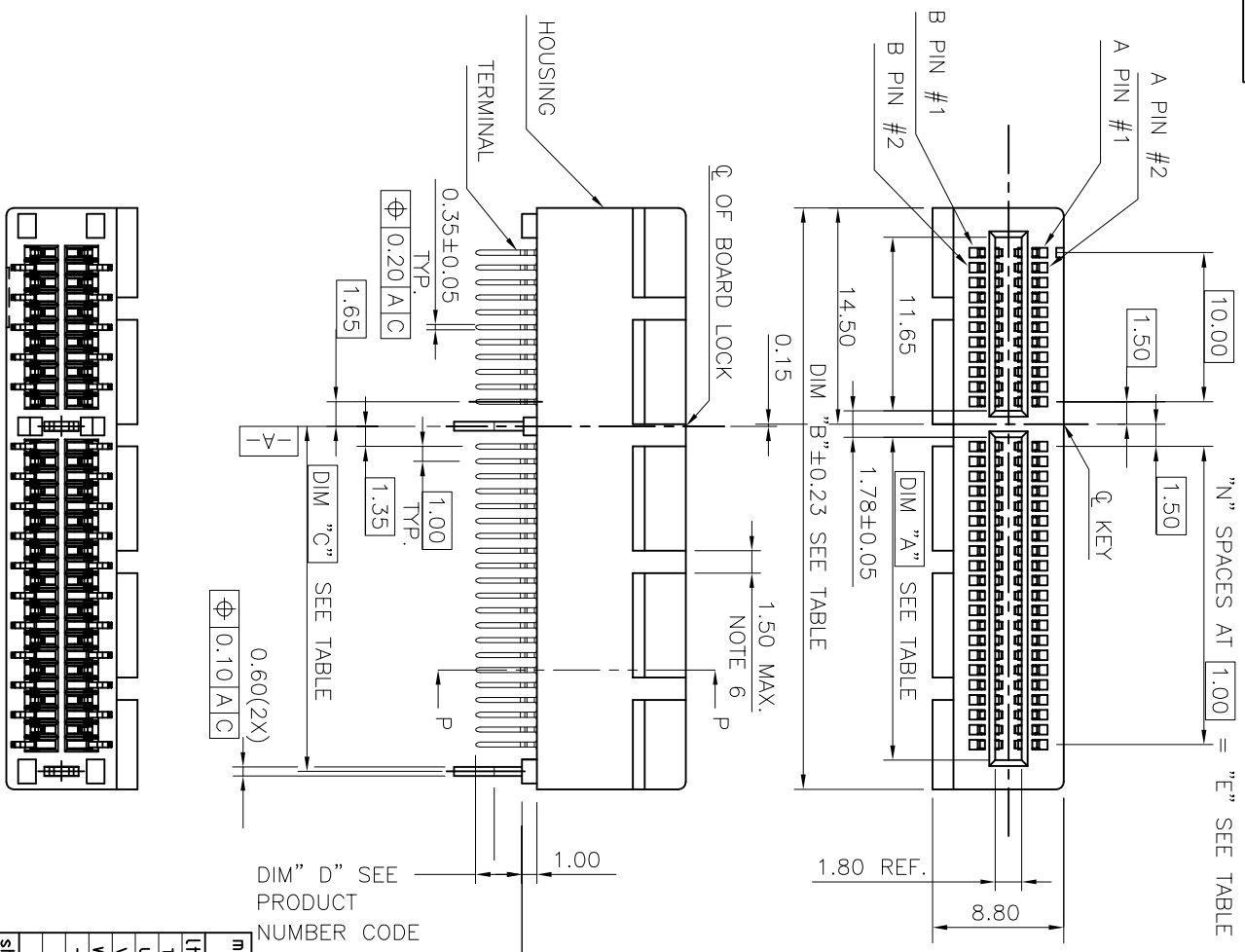
TWIN PLASTIC PEG TYPE



mat'l. code		surface 38		tolerance		projection		product family	
tr	ecm no	dr	date	tolerances unless otherwise specified	angles	g	g	title	product family
T	T05-0208M-W	09/15/05		X±0.30				PCI EXPRESS GEN3	EDGE CARD
U	T10-0007J-H	1/20/10		XX±0.20				CARD EDGE ASSY	
V	dx-06-18311	S-T	07/16/14	0±z					
W	dx-06-2000	S-T	01/23/15	.XXX±0.10					
-	-	-	-	engr	Stone Li	01/13/15			
-	-	-	-	chr	Stone Li	01/13/15			
-	-	-	-	appd	Collins Lu	01/13/15			
sheet index	revision	sheet	1	2	3	4	5	6	7



PRODUCT NO.  
10018783-X1XXXX



### METAL BOARD LOCKS TYPE

DIM "D" SEE PRODUCT NUMBER CODE

FCI LOGO SIDE

DIM "G" SEE PRODUCT NUMBER CODE

mat'l. code		surface Sg / tolerance		projection		product family	
l/r	ecn no	dr	date	tolerances unless otherwise specified	angles	MM	EDGE CARD
T	T05-0208M-W	09/15/05		X±0.30			PCI EXPRESS GEN3
U	T10-0007 J-H	1/20/10		XX±0.20			CARD EDGE ASSY
V	EX-06-1631 S-T	07/16/14	C±Z	XXX±0.10		scale 2:1	
W	EX-06-2670 S-T	01/23/15	dr	Stone Li	01/13/15		
			engr	Stone Li	01/13/15		
			chr	/	/		
			appd	Collins Lu	01/13/15		
sheet index	revision sheet						

title  
EDGE CARD

product family  
EDGE CARD

FCI

scale 2:1

MM

product family  
EDGE CARD

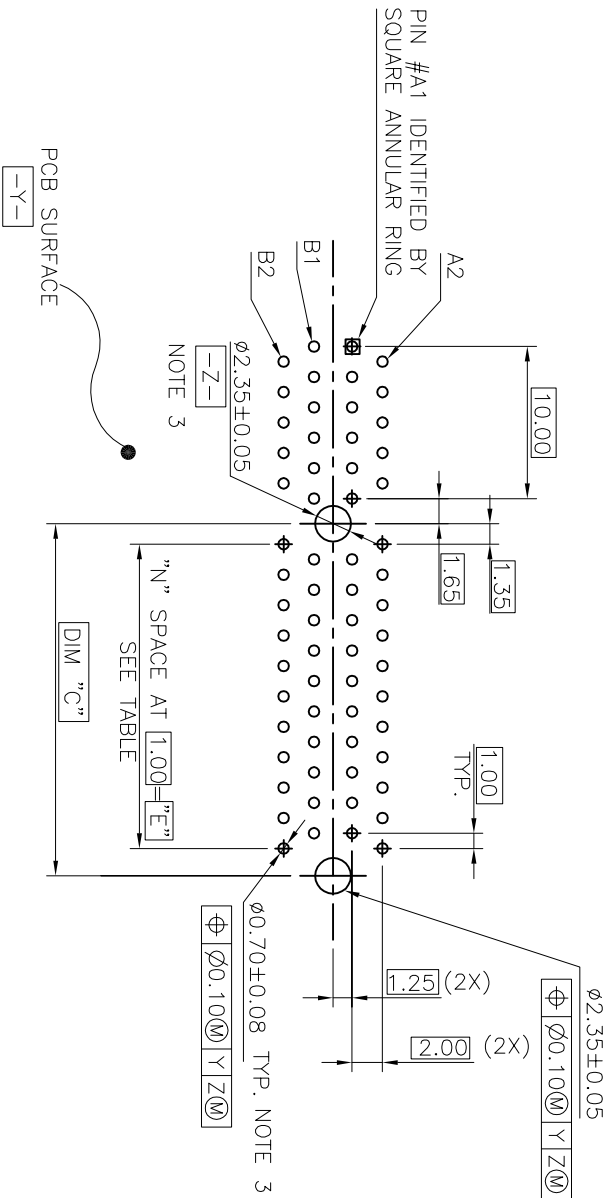
PCI EXPRESS GEN3

CARD EDGE ASSY

dwg no  
10018783

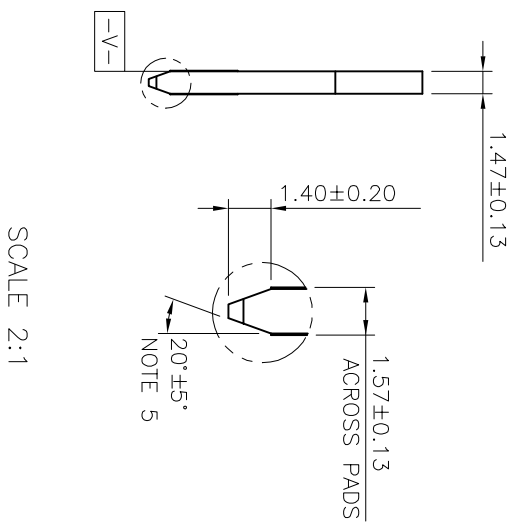
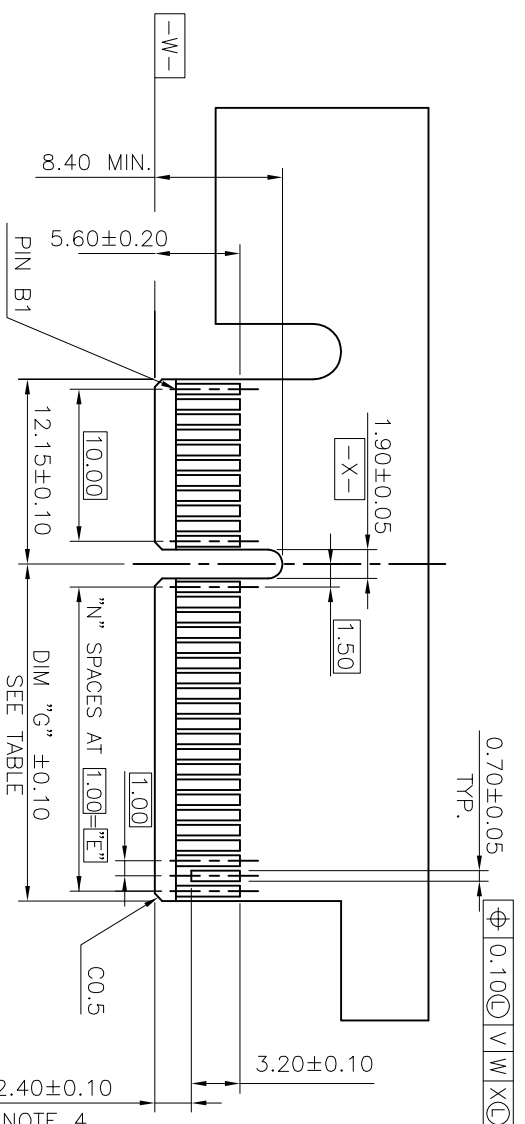
sheet 3 of 7 size  
A4

Customer Drawing



RECOMMENDED FOOTPRINT

mat'l. code		surface		tolerance		projection		product family	
lfr	ecn no	dr	date	tolerances unless otherwise specified	angles	MM	scale	title	family
T	T05-0208M-W	09/15/05	1/20/10	X±0.30	0°±2'	MM	2:1	PCI EXPRESS GEN3	EDGE CARD
U	T10-0007 J-H	1/20/10		.XX±0.20				CARD EDGE ASSY	
V	dx-06-18311 S-T	07/16/14		.XXX±0.10					
W	dx-06-2070 S-T	01/23/15							
		dr							
		engr							
		chr							
		appd							
		collins lu	01/13/15						
Sheet	revision								
Index	sheet								



I/O PANEL DIRECTION  
PRIMARY (COMPONENT) SIDE

I/O PANEL DIRECTION  
SECONDARY (SOLDER) SIDE

# POS REF.	N	DIM "G"	"F"
36	6	8.15	B17
64	20	22.15	B31
98	37	39.15	B48
164	70	72.15	B81

PIN "F" SEE TABLE 2.40±0.10  
NOTE 4

PIN "F" SEE TABLE 2.40±0.10  
NOTE 4

ADD-IN CARD EDGE-FINGER DIMENSIONS

mat'l. code	surface 38	tolerance	projection	product family	EDGE CARD
1tr	ecn no	dr	date	tolerances unless otherwise specified	title
T	T05-0208M-W	09/15/05		X±0.30	PCI EXPRESS GEN3
U	T10-0007J-H	1/20/10		.XX±0.20	CARD EDGE ASSY
V	EX-06-1831 S-T	07/16/14		.XXX±0.10	scale 2:1
W	EX-06-2000 S-T	01/23/15	dr	Stone Li	01/13/15
			engr	Stone Li	01/13/15
			chr	/	/
			appd	Collins Lu	01/13/15
sheet index	revision	sheet			



product family  
EDGE CARD

title  
PCI EXPRESS GEN3  
CARD EDGE ASSY

dwg no  
10018783

sheet 5 of 7

size  
A4

Customer Drawing



NOTES:

1. MATERIAL:
  - HOUSING: HIGH TEMPERATURE NYLON, GLASS FILLED UL94V-0 RATED.
  - TERMINAL: COPPER ALLOY.
  - PLATING: SEE PRODUCT NUMBER CODE
  - METAL BOARD LOCKS: COPPER ALLOY.
  - FINISH: 100u" TIN OVER 50u" NICKEL
2. PRODUCT SPECIFICATION: GS-12-233.
3. THE HORIZONTAL AXIS FOR THE HOLE PATTERN IS ESTABLISHED BY
  - A LINE THROUGH THE CENTER OF THE TWO  $\phi 2.35$  HOLES.
  - THE VERTICAL AXIS IS 90° TO THE HORIZONTAL AXIS, THROUGH THE CENTER OF DATUM Z.
4. NO THE BAR PERMITTED FROM CARD EDGE TO LEADING EDGE OF PAD FOR PINS A1 AND PIN NUMBERS "F".
5. CHAMFER EDGES MUST BE FREE OF CUTTING BURRS.
6. FREQUENCY & LOCATION AT SUPPLIER DISCRETION. RIDGE MAY BE CONTINUOUS WITH NO BREAKS.
7. ROHS COMPATIBLE PRODUCT SPECIFICATIONS:
  - a - PLATING:
    - "LF" MEANS THE PRODUCT IS LEAD-FREE.
    - b - MANUFACTURING PROCESS COMPATIBILITY:
      - THE HOUSING WILL WITHSTAND EXPOSURE TO 260°C±5°C TEMPERATURE FOR 10 SECONDS IN RE-FLOW APPLICATION, REFER TO GS-14-858 FOR OPERATING.

PRODUCT NUMBER CODE

10018783

HOUSING COLOR OPTIONS

- 0-NATURAL
- 1-BLACK

PEGS OPTIONS

- 0-PLASTIC PEGS
- 1-METAL BOARD LOCKS
- 2-SINGLE PLASTIC PEGS

TERMINAL PLATING OPTIONS

- 0-50u" Ni UNDERPLATE
- 30u" Au CONTACT AREA
- 100u" TIN TAIL AREA
- 1-50u" Ni UNDERPLATE
- 15u" Au CONTACT AREA
- 100u" TIN TAIL AREA
- 2-50u" Ni UNDERPLATE
- GOLD FLASH CONTACT AREA
- 100u" TIN TAIL AREA

TAIL LENGTH OPTIONS

	DIM "D"	PCB THICKNESS	BOARD LOCKS DIM "G"
0	2.30 +0.25	1.56±0.10	1.70±0.15
1	3.10 +0.25	2.36±0.10	2.50±0.15
2	2.54±0.25	1.56±0.10	1.70±0.15
3	1.90±0.25	1.56±0.10	1.70±0.15

LEAD FREE OPTION

LEAVE BLANK FOR TERMINAL PLATING 3,4,5  
"LF" FOR TERMINAL PLATING OPTION 0,1,2

POS OPTIONS

- 0-36
- 1-64
- 2-98
- 3-164

PACKAGING OPTIONS

- T-SOFT TRAY PACKAGING
- M-SOFT TRAY PACKAGING & MYLAR TAPE. SEE FIGURE 1
- Y-HARD TRAY PACKAGING (FOR 164P ONLY)
- Z-HARD TRAY PACKAGING WITH MYLAR (FOR 164P ONLY)
- E-HARD TRAY PACKAGING WITH ANTI-STATIC SHIELDING BAG (FOR 164P ONLY)
- R-TAPE & REEL PACKAGING (FOR 36, 64, 98P)
- A-TAPE & REEL PACKAGING WITH MYLAR (FOR 36, 64, 98P)

CONNECTOR	# POS REF.	N	DIM "A"	DIM "B"	DIM "C"	"E"
1 PORT	36	6	7.65	25.00	9.15	6.00
4 PORT	64	20	21.65	39.00	23.15	20.00
8 PORT	98	37	38.65	56.00	40.15	37.00
16 PORT	164	70	71.65	89.00	73.15	70.00

mat'l. code	surface 38	tolerance	projection	product family
T	T05-0208M-W	09/15/05	angles 1/20/10	EDGE CARD
U	T10-0007J-H	1/20/10	angles 1/20/10	EDGE CARD
V	EX-06-1831H	S-T 07/16/14	0°±2'	EDGE CARD
W	EX-06-2099	S-T 01/23/15	DR	EDGE CARD

sheet index	revision sheet	date	tolerance unless otherwise specified	projection	product family	title	dwg no	sheet 6 of 7	size
1		09/15/05	X±0.30	MM	EDGE CARD	PCI EXPRESS GEN3 CARD EDGE ASSY	10018783	6	A4
2		07/16/14	XX±0.20						
3		01/23/15	.XXX±0.10						

sheet index	revision sheet	date	tolerance unless otherwise specified	projection	product family	title	dwg no	sheet 6 of 7	size
1		09/15/05	X±0.30	MM	EDGE CARD	PCI EXPRESS GEN3 CARD EDGE ASSY	10018783	6	A4
2		07/16/14	XX±0.20						
3		01/23/15	.XXX±0.10						

sheet index	revision sheet	date	tolerance unless otherwise specified	projection	product family	title	dwg no	sheet 6 of 7	size
1		09/15/05	X±0.30	MM	EDGE CARD	PCI EXPRESS GEN3 CARD EDGE ASSY	10018783	6	A4
2		07/16/14	XX±0.20						
3		01/23/15	.XXX±0.10						

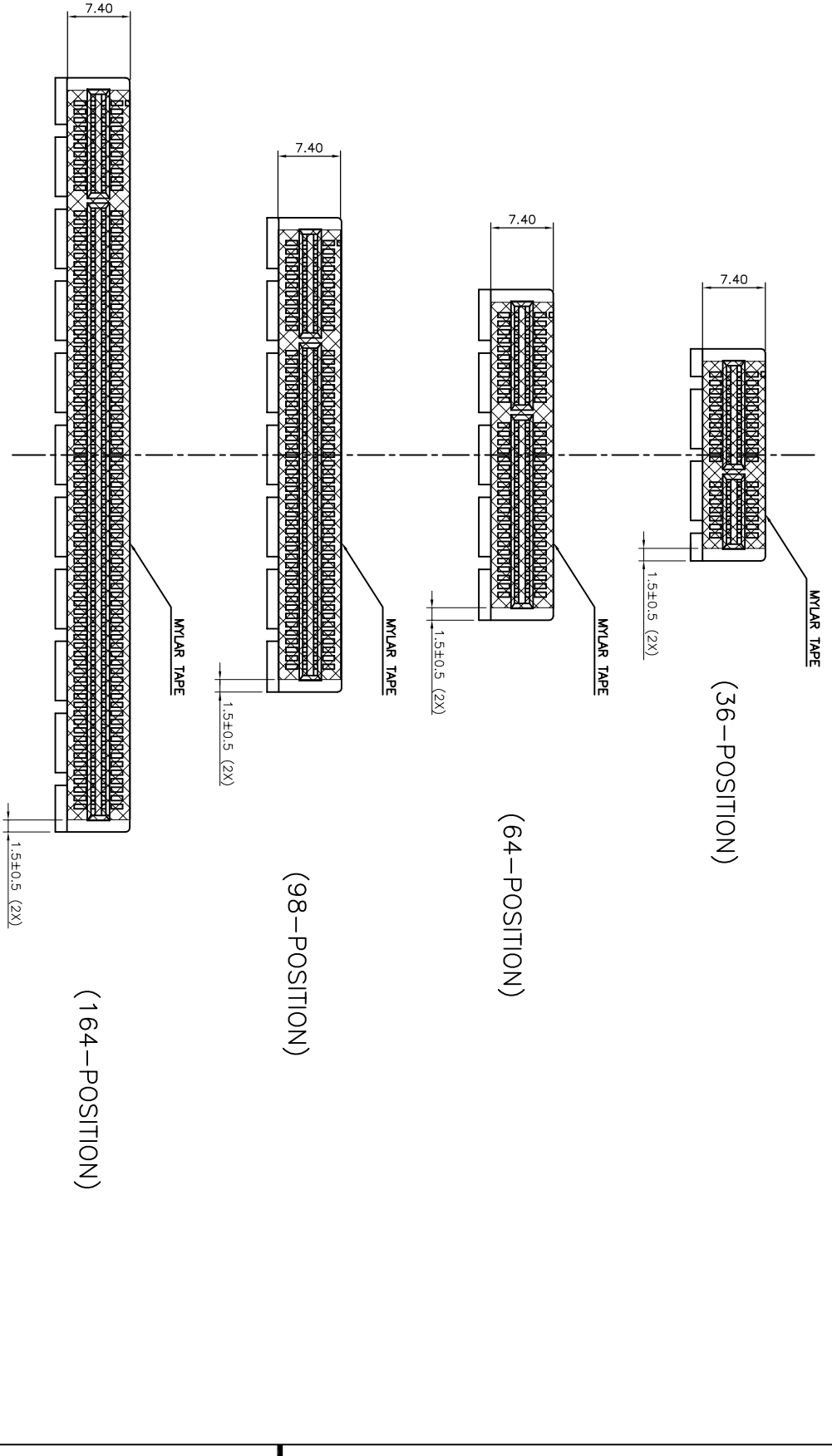


FIGURE 1

mat'l. code	surface ag./tolerance	projection	product family	EDGE CARD
lfr. ecn no.	dr. date	reference unless otherwise specified	title	PCI EXPRESS GEN3 CARD EDGE ASSY
T 100-02081K-W/09/15/05	09/15/05	XX43.3H	MM	scale 1.5:1
U T10-0007-L-H 1/20/10	07/19/14	XX43.2H		sheet 7 of 7 size
V 100-0007-L-H 1/20/10	07/19/14	XX43.1H		A4
W 100-0007-L-H 1/20/10	07/23/15	XX43.1H		Customer Drawing
engr. Stone LI	07/23/15			
chr. /				
digit Collins Lu	07/23/15			
sheet / revision				
index / sheet				