

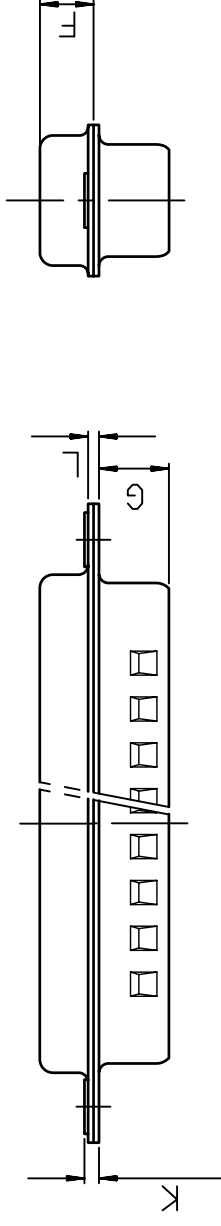
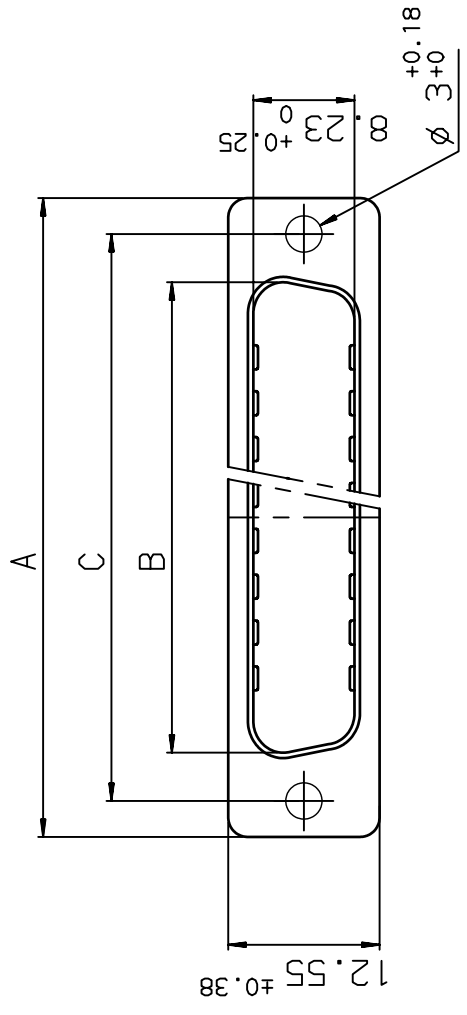
4

3

2

1

NOTE
Sealed caps IP 65 .



Shell size	Number of contacts	A ^{+0.76} ₀	B ^{+0.25} ₀	C ^{+0.12}	F ^{+0.13} _{-0.03}	G	K	L ^{+0.22} ₀	Part number
E	09	30.43	16.79	24.99	4.36	5.90 ^{+0.15} ₀	0.00 ^{+0.30}	0.80	8655-3138
A	15	38.76	25.12	33.32	4.36	5.90 ^{+0.15} ₀	0.00 ^{+0.30}	0.80	8655-3139
B	25	52.65	38.84	47.04	4.36	5.70 ^{+0.25} ₀	0.00 ^{+0.30}	0.80	8655-3140
C	37	68.94	55.30	63.50	4.36	5.70 ^{+0.25} ₀	0.27 ^{+0.30}	1.00	8655-3141

rev	ecn no	dr	date
C	-	B00	1999/10/06
D	L506-0097	LGO	2006/07/28
E	L509-0006	PCR	2009/01/08
-	-	-	-
-	-	-	-
-	-	-	-

PLATING
Yellow Chromate Cadmium 12µ over Flash Nickel

FCI
PINS METAL CAPS
D SUB ACCESSORIES
catalog no

www.fciconnect.com	surface ISO 1302	tolerance std ISO 406 ISO 1101	projection	European Views
Dr BOUTTIER	1994/05/27	0.X ±0.1	A3	mm
Eng PESSON	1994/05/27	0.XX ±0.1	size	Scale 3
Chr LEGARE	1994/05/27	0.XXX ±0.1	ECN	L509-0006
Appr LEGARE	1994/05/27	Product family D-SUB		Spec ref -
		PINS METAL CAPS D SUB ACCESSORIES catalog no		Rev. E
C01-8655-0651 CUSTOMER sheet 1 of 1				

REV F - 2006-04-17

2

3

4