

Interactive Catalog Supplements Catalog PDFs

If you need detailed product information, or help choosing the right product for your application, see our **Interactive Catalog**. Use the **Interactive Catalog** to access the most complete and up-to-date information available.

The **Interactive Catalog** provides an extensive collection of product specifications, application data, and technical literature that can be searched based on criteria you select.

This PDF catalog information was published in November 2000.



Sensing and Control
**Interactive
Catalog...**

**Click this icon to try
the Interactive Catalog.**

Sensing and Control

Honeywell Inc.

11 West Spring Street

Freeport, IL 61032

www.honeywell.com/sensing

ROLLER LEVER ACTUATED SWITCHES



Side mount
with seal boot

LOW FORCE ROD ACTUATED SWITCHES



Side mount
with seal boot

For rapid response – off the shelf service, all **bold face** listings are normally stocked items.

ORDER GUIDE

Description	Elec. Rating	Mtg.	Catalog Listing		O.F. N oz.	P.T. max. mm in.	O.T. min. mm in.	D.T. max. mm in.
			1 Conduit Opening	2 Conduit Openings				
With seal boot. Field adjustable 360° horizontally and 225° vertically. SPDT.	A	Side	BZG1-2RN2	BZG2-2RN2	2,78-5,57 10-20	4,78 .188	5,56 .219	0,15 .006
		Flange	BZH1-2RN2					

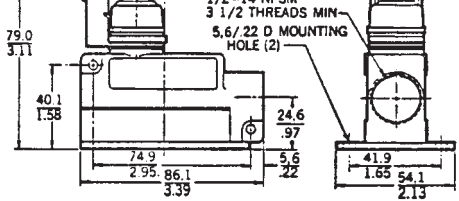
ORDER GUIDE

Rod can be cut or bent to suit application needs

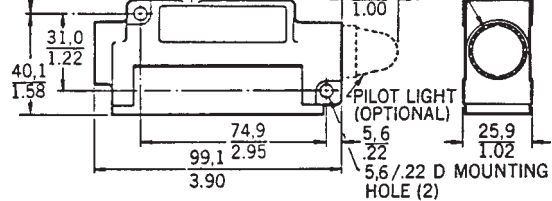
Description	Elec. Rating	Mtg.	Catalog Listing		O.F. N oz.	P.T. max. mm in.	O.T. min. mm in.	D.T. max. mm in.
			1 Conduit Opening	2 Conduit Openings				
With seal boot. Field adjustable 360° horizontally and 250° vertically. SPDT.	A	Side	BZG1-2RN62	BZG2-2RN62	0,83-1,95 3-7	18,24 .718	21,29 .838	5,82 .229
		Flange	BZH1-2RN62					

N = Newtons

Characteristics: O.F. — Operating Force; P.T. — Pretravel; O.T. — Overtravel; D.T. — Differential Travel

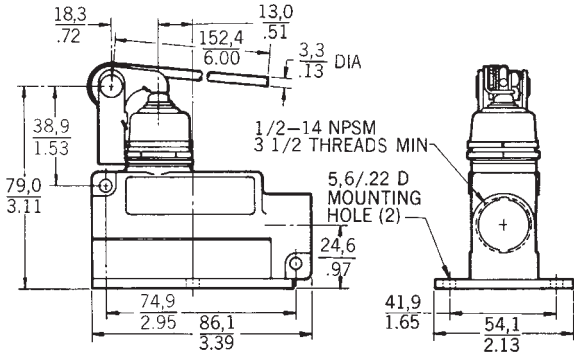


Flange mount

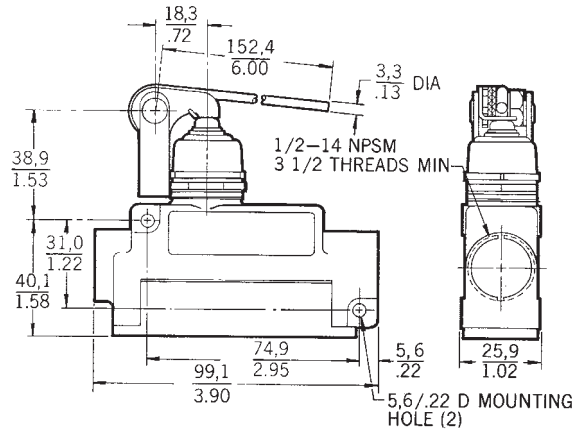


Side mount
(2 conduit openings)

ROD



Flange mount



Side mount

Key: $\frac{0.0}{0.00} = \frac{\text{mm}}{\text{inches}}$