

PRODUCT NUMBER
75160-XXX-XXLF

RoHS COMPLIANT & COMPATIBLE, SEE NOTE 8
TOTAL NB OF POSITIONS 02 TO 36
PIN STYLE SEE SHEET 2

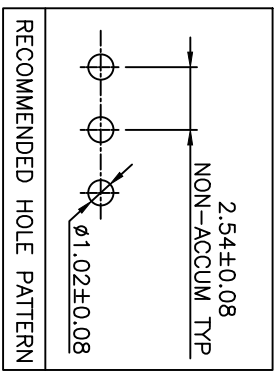
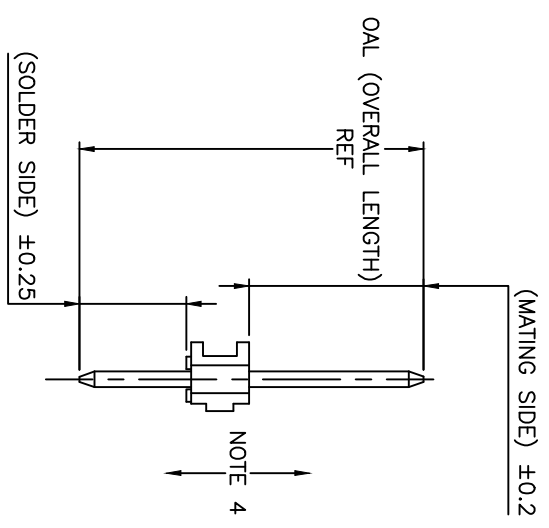
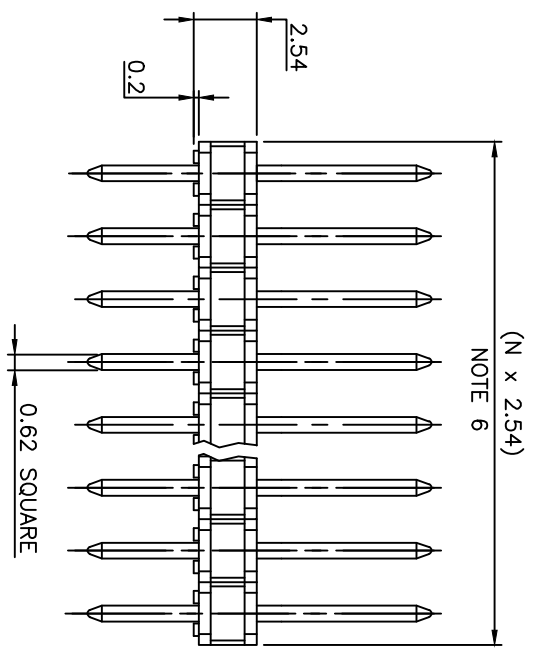
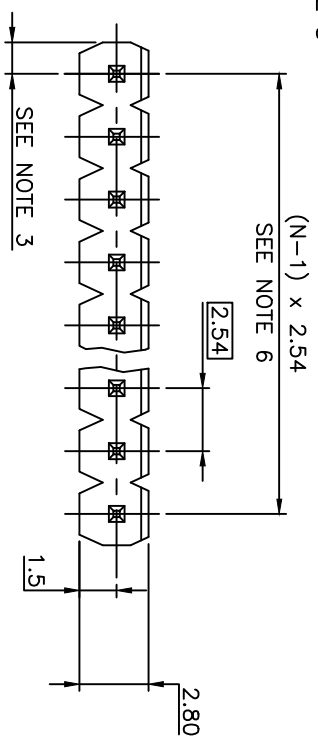
PLATING:

- 1 = 0.76µm FULL GOLD/GXT
- 3 = 2µm MIN MATTE TIN FULL PLATED
- 8 = 0.38µm FULL GOLD/GXT
- 1.27µm MIN NICKEL UNDERPLATING

NOTES:

1. HOUSING MAT'L : HIGH TEMPERATURE THERMOPLASTIC FLAME RETARDANT PER UL94-V0, COLOR BLACK.
2. PIN MATERIAL : PHOSPHOR BRONZE.
3. DIM 1.27^{+0.03}-0.13 FOR MOULDED SIDE(S) ONLY. IF SIDE(S) ARE BROKEN, DIM 1.02 TO 1.7 MAX APPLIES.
4. PIN PUSH OUT FORCE : 12N MIN.
5. PRODUCT PACKAGED IN POLY BAGS.
6. TO DETERMINE DIMENSIONS :
N = NUMBER OF POSITIONS
EXAMPLE : 8 POS N x 2.54 = 20.32mm
7. FOR STANDARD SELECTIVE GOLD PLATED PRODUCTS, SEE DRAWING 77311.
8. RoHS COMPATIBLE PRODUCT SPECIFICATIONS
- a - "LF" MEANS THE PRODUCT IS LEAD-FREE
- b - MANUFACTURING PROCESS COMPATIBILITY

- THE HOUSING WILL WITHSTAND EXPOSURE TO 260°C ±5°C SOLDER BATH TEMPERATURE FOR 5 SECONDS IN A WAVE SOLDER APPLICATION WITH A 1.6mm MIN THICK CIRCUIT BOARD.
- c - LABELING:
- MEETS PACKAGING SPECS AS PER GS-14-920
- d - LEGAL STATEMENT: SEE GS-47-0004



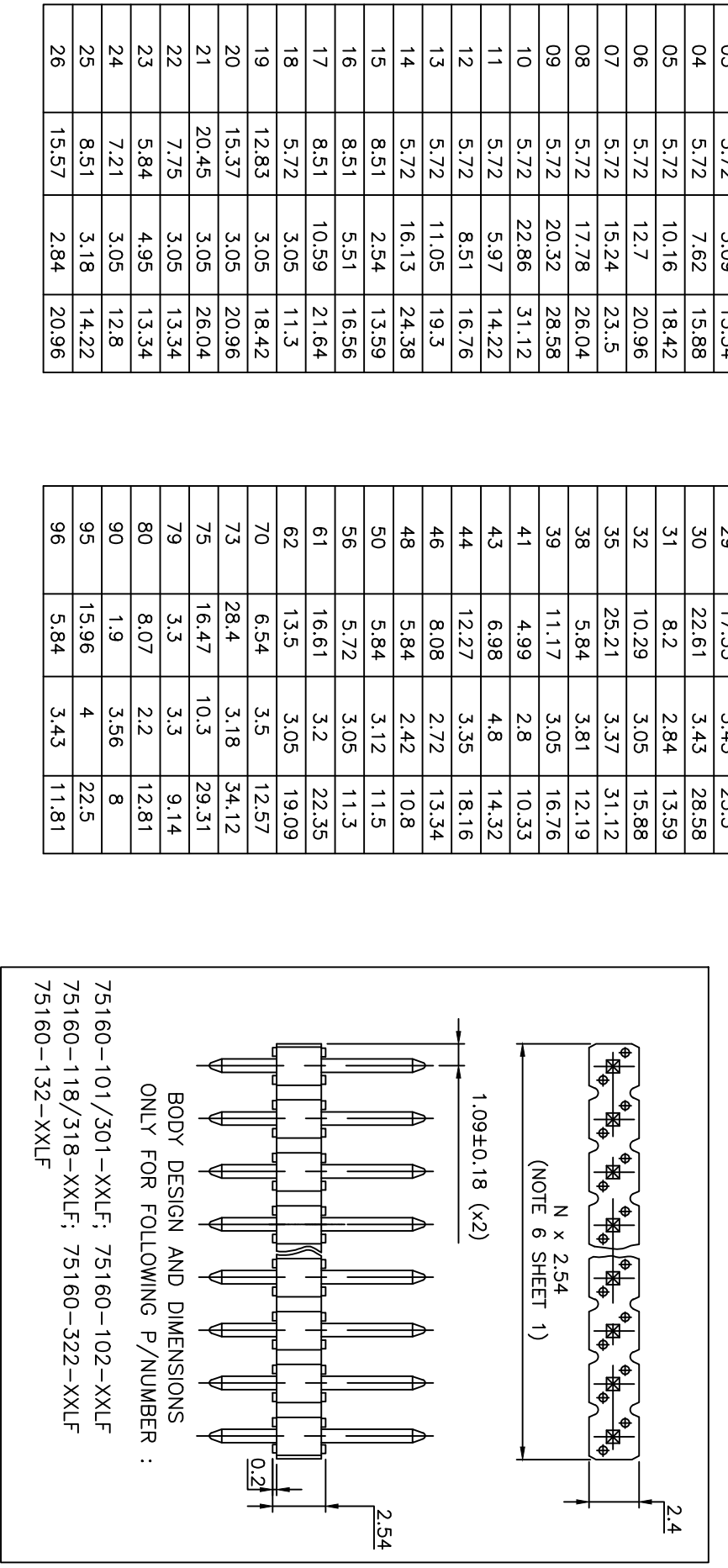
| | | | | | | | | | |
|-------------|----------|----------|----------|---------------------------------------|-----------|------------|---------------|----------------|--|
| mat'l. code | | surface | | tolerance | | projection | | product family | |
| SEE NOTES | | ISO 1302 | | ISO 406 ISO 1101 | | mm | | BERGSTK | |
| lfr | ecn no | lfr | date | tolerances unless otherwise specified | linear | xxx | ±0.05 | title | |
| BR | F20607 | LWU | 03.12.03 | angles | xxx | ±0.3 | HEADER SR,STR | | |
| BS | F03079 | LWU | 03.04.04 | linear | xxx | ±0.15 | 2.54mm PITCH | | |
| BT | F05-0188 | JCO | 05.04.29 | xxx | ±0.05 | scale 5:1 | | | |
| BU | F06-0198 | LWU | 06.06.20 | D | LEGRAND | 02.01.15 | sheet no | | |
| BV | F08-0148 | JCO | 08.05.27 | engr | JMC | 02.01.15 | 75160 | | |
| BW | B-19264 | LWU | 14.10.31 | chr | COMPAGNON | 02.01.15 | sheet 1 of 2 | | |
| index | | revision | | appd | | jmc | | size | |
| sheet | sheet | BW | BK | 2 | 2 | 02.01.15 | | A3 | |
| type | | CUSTOMER | | Drawing | | | | | |

1 2 3 4 5 6

| APPLICATION SPECIFIC | | | |
|----------------------|--------|--------|-------|
| PIN STYLE | MATING | SOLDER | OAL |
| 01 | 5.72 | 2.54 | 10.8 |
| 02 | 5.84 | 3.43 | 11.81 |
| 03 | 5.72 | 5.09 | 13.34 |
| 04 | 5.72 | 7.62 | 15.88 |
| 05 | 5.72 | 10.16 | 18.42 |
| 06 | 5.72 | 12.7 | 20.96 |
| 07 | 5.72 | 15.24 | 23.5 |
| 08 | 5.72 | 17.78 | 26.04 |
| 09 | 5.72 | 20.32 | 28.58 |
| 10 | 5.72 | 22.86 | 31.12 |
| 11 | 5.72 | 5.97 | 14.22 |
| 12 | 5.72 | 8.51 | 16.76 |
| 13 | 5.72 | 11.05 | 19.3 |
| 14 | 5.72 | 16.13 | 24.38 |
| 15 | 8.51 | 2.54 | 13.59 |
| 16 | 8.51 | 5.51 | 16.56 |
| 17 | 8.51 | 10.59 | 21.64 |
| 18 | 5.72 | 3.05 | 11.3 |
| 19 | 12.83 | 3.05 | 18.42 |
| 20 | 15.37 | 3.05 | 20.96 |
| 21 | 20.45 | 3.05 | 26.04 |
| 22 | 7.75 | 3.05 | 13.34 |
| 23 | 5.84 | 4.95 | 13.34 |
| 24 | 7.21 | 3.05 | 12.8 |
| 25 | 8.51 | 3.18 | 14.22 |
| 26 | 15.57 | 2.84 | 20.96 |

| APPLICATION SPECIFIC | | | |
|----------------------|--------|--------|-------|
| PIN STYLE | MATING | SOLDER | OAL |
| 27 | 6.6 | 2.67 | 11.81 |
| 28 | 6.6 | 4.19 | 13.34 |
| 29 | 17.53 | 3.43 | 23.5 |
| 30 | 22.61 | 3.43 | 28.58 |
| 31 | 8.2 | 2.84 | 13.59 |
| 32 | 10.29 | 3.05 | 15.88 |
| 35 | 25.21 | 3.37 | 31.12 |
| 38 | 5.84 | 3.81 | 12.19 |
| 39 | 11.17 | 3.05 | 16.76 |
| 41 | 4.99 | 2.8 | 10.33 |
| 43 | 6.98 | 4.8 | 14.32 |
| 44 | 12.27 | 3.35 | 18.16 |
| 46 | 8.08 | 2.72 | 13.34 |
| 48 | 5.84 | 2.42 | 10.8 |
| 50 | 5.84 | 3.12 | 11.5 |
| 56 | 5.72 | 3.05 | 11.3 |
| 61 | 16.61 | 3.2 | 22.35 |
| 62 | 13.5 | 3.05 | 19.09 |
| 70 | 6.54 | 3.5 | 12.57 |
| 73 | 28.4 | 3.18 | 34.12 |
| 75 | 16.47 | 10.3 | 29.31 |
| 79 | 3.3 | 3.3 | 9.14 |
| 80 | 8.07 | 2.2 | 12.81 |
| 90 | 1.9 | 3.56 | 8 |
| 95 | 15.96 | 4 | 22.5 |
| 96 | 5.84 | 3.43 | 11.81 |

| APPLICATION SPECIFIC | | | |
|----------------------|--------|--------|-------|
| PIN STYLE | MATING | SOLDER | OAL |
| 97 | 7.75 | 3.05 | 13.34 |
| 98 | 10.29 | 3.05 | 15.88 |



| APPLICATION SPECIFIC | | | |
|----------------------|--------|--------|-------|
| PIN STYLE | MATING | SOLDER | OAL |
| 01 | 5.72 | 2.54 | 10.8 |
| 02 | 5.84 | 3.43 | 11.81 |
| 03 | 5.72 | 5.09 | 13.34 |
| 04 | 5.72 | 7.62 | 15.88 |
| 05 | 5.72 | 10.16 | 18.42 |
| 06 | 5.72 | 12.7 | 20.96 |
| 07 | 5.72 | 15.24 | 23.5 |
| 08 | 5.72 | 17.78 | 26.04 |
| 09 | 5.72 | 20.32 | 28.58 |
| 10 | 5.72 | 22.86 | 31.12 |
| 11 | 5.72 | 5.97 | 14.22 |
| 12 | 5.72 | 8.51 | 16.76 |
| 13 | 5.72 | 11.05 | 19.3 |
| 14 | 5.72 | 16.13 | 24.38 |
| 15 | 8.51 | 2.54 | 13.59 |
| 16 | 8.51 | 5.51 | 16.56 |
| 17 | 8.51 | 10.59 | 21.64 |
| 18 | 5.72 | 3.05 | 11.3 |
| 19 | 12.83 | 3.05 | 18.42 |
| 20 | 15.37 | 3.05 | 20.96 |
| 21 | 20.45 | 3.05 | 26.04 |
| 22 | 7.75 | 3.05 | 13.34 |
| 23 | 5.84 | 4.95 | 13.34 |
| 24 | 7.21 | 3.05 | 12.8 |
| 25 | 8.51 | 3.18 | 14.22 |
| 26 | 15.57 | 2.84 | 20.96 |

| APPLICATION SPECIFIC | | | |
|----------------------|--------|--------|-------|
| PIN STYLE | MATING | SOLDER | OAL |
| 27 | 6.6 | 2.67 | 11.81 |
| 28 | 6.6 | 4.19 | 13.34 |
| 29 | 17.53 | 3.43 | 23.5 |
| 30 | 22.61 | 3.43 | 28.58 |
| 31 | 8.2 | 2.84 | 13.59 |
| 32 | 10.29 | 3.05 | 15.88 |
| 35 | 25.21 | 3.37 | 31.12 |
| 38 | 5.84 | 3.81 | 12.19 |
| 39 | 11.17 | 3.05 | 16.76 |
| 41 | 4.99 | 2.8 | 10.33 |
| 43 | 6.98 | 4.8 | 14.32 |
| 44 | 12.27 | 3.35 | 18.16 |
| 46 | 8.08 | 2.72 | 13.34 |
| 48 | 5.84 | 2.42 | 10.8 |
| 50 | 5.84 | 3.12 | 11.5 |
| 56 | 5.72 | 3.05 | 11.3 |
| 61 | 16.61 | 3.2 | 22.35 |
| 62 | 13.5 | 3.05 | 19.09 |
| 70 | 6.54 | 3.5 | 12.57 |
| 73 | 28.4 | 3.18 | 34.12 |
| 75 | 16.47 | 10.3 | 29.31 |
| 79 | 3.3 | 3.3 | 9.14 |
| 80 | 8.07 | 2.2 | 12.81 |
| 90 | 1.9 | 3.56 | 8 |
| 95 | 15.96 | 4 | 22.5 |
| 96 | 5.84 | 3.43 | 11.81 |

| APPLICATION SPECIFIC | | | |
|----------------------|--------|--------|-------|
| PIN STYLE | MATING | SOLDER | OAL |
| 97 | 7.75 | 3.05 | 13.34 |
| 98 | 10.29 | 3.05 | 15.88 |

| mat'l. code | SEE P/N | surface | tolerance | projection | product family |
|-----------------|------------------|---------------------------------------|------------------|------------|-----------------------|
| ISO 1302 | ISO 416 ISO 1101 | ISO 1302 | ISO 416 ISO 1101 | mm | BERGSTIK |
| lfr ecn no | lfr date | tolerances unless otherwise specified | linear | xxx #x0.15 | title |
| BH F05-0198 JCO | 05.04.29 | angles | xxx #x0.15 | scale 5:1 | HEADER STR, SR |
| BU F06-0198 LMU | 06.06.20 | linear | xxx #x0.15 | mm | 2.54mm PITCH |
| BK B-19264 LMU | 14.10.31 | xxx #x0.15 | xxx #x0.15 | mm | sheet 2 of - size |
| F20301 LMU | 02.04.23 | enfr JMC | 99.04.07 | mm | A3 |
| BF F20607 LM | 03.12.03 | chr | 99.04.07 | mm | type CUSTOMER Drawing |
| BG F03079 LMU | 03.04.04 | lpppd JMC | 99.04.07 | mm | |
| sheet revision | | | | | |
| index sheet | | | | | |