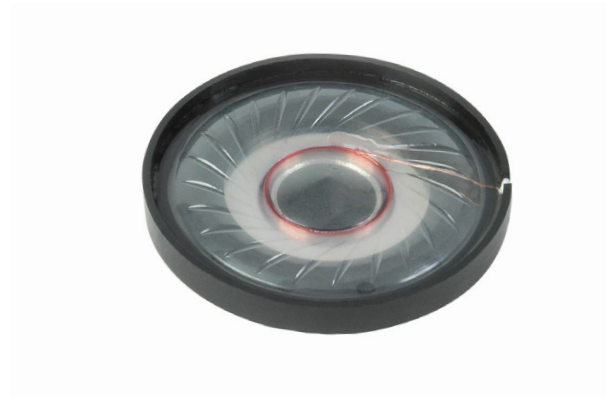


MODEL: GF0401M | **DESCRIPTION:** SPEAKER**FEATURES**

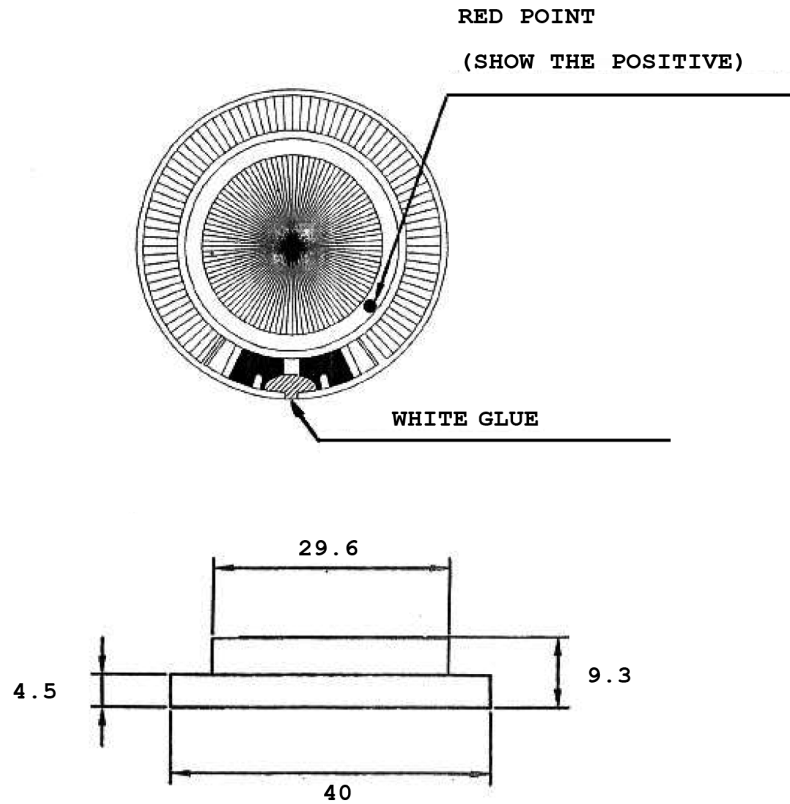
- 40 mm
- round frame
- 0.04 W
- 8 Ω
- ferrite magnet
- mylar cone

**SPECIFICATIONS**

parameter	conditions/description	min	typ	max	units
input power			0.04	0.1	W
impedance	at 1.0 kHz, 0.57 V	6.8	8	9.2	Ω
resonant frequency (Fo)	at 0.57 V	144	180	216	Hz
frequency response		Fo		20,000	Hz
sound pressure level	at 1 mW (0.089 V), 10 mm, 1.0 kHz with IEC-318	118	121	124	dB
buzz, rattle, etc.	must be normal at sine wave			0.57	V
dimensions	\varnothing 40 x 9.3				mm
magnet	ferrite				
cone material	mylar				
terminal	solder pads				
weight			17.8		g
operating temperature		-25		60	$^{\circ}$ C
hand soldering	for maximum 3 seconds	340	350	360	$^{\circ}$ C
RoHS	yes				

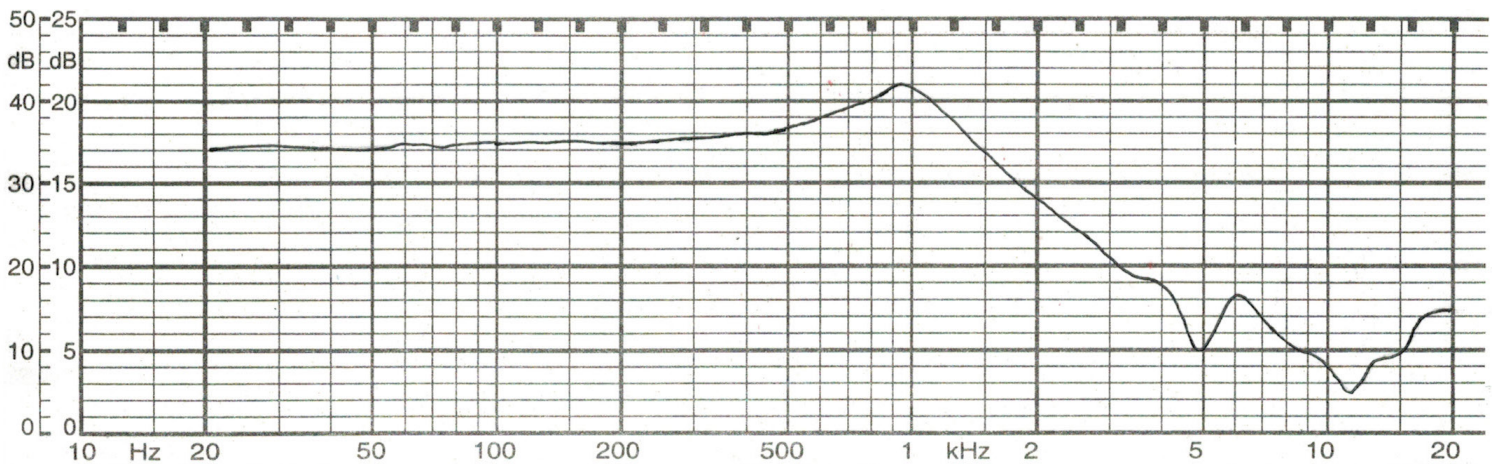
MECHANICAL DRAWING

units: mm
tolerance: ± 0.3 mm



FREQUENCY RESPONSE CURVE

parameter	conditions/description
potentiometer range	50 dB
rectifier	RMS
lower limit frequency	20 Hz
wr. speed	100 mm/sec
zero level	80 dB



REVISION HISTORY

rev.	description	date
1.0	initial release	07/27/2006
1.01	updated template, input power, SPL, frequency response curve, and mechanical drawing	06/01/2012
1.02	updated SPL and frequency response curve	03/11/2013
1.03	brand update	10/15/2020

The revision history provided is for informational purposes only and is believed to be accurate.

CUI DEVICES

CUI Devices offers a one (1) year limited warranty. Complete warranty information is listed on our website.

CUI Devices reserves the right to make changes to the product at any time without notice. Information provided by CUI Devices is believed to be accurate and reliable. However, no responsibility is assumed by CUI Devices for its use, nor for any infringements of patents or other rights of third parties which may result from its use.

CUI Devices products are not authorized or warranted for use as critical components in equipment that requires an extremely high level of reliability. A critical component is any component of a life support device or system whose failure to perform can be reasonably expected to cause the failure of the life support device or system, or to affect its safety or effectiveness.