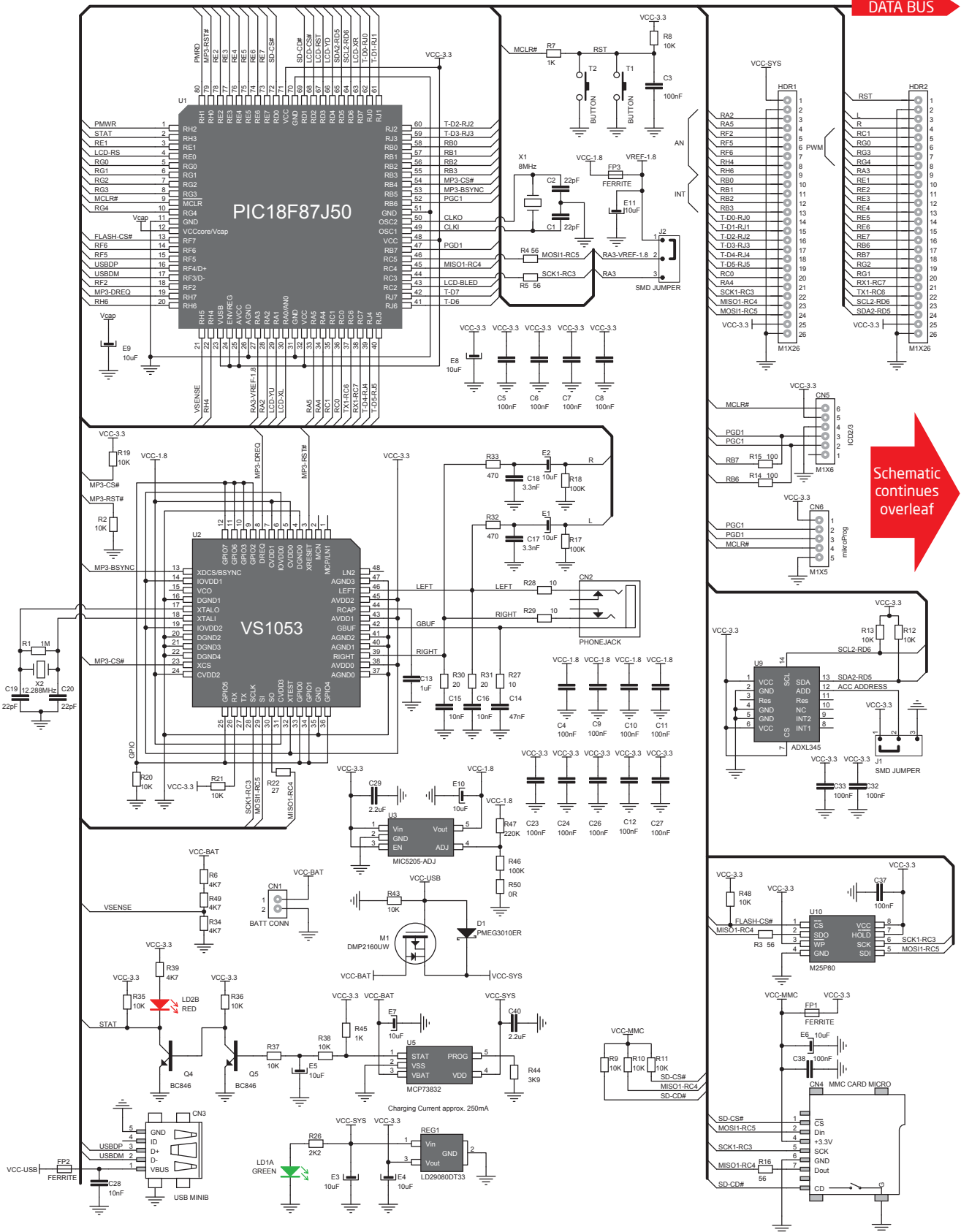


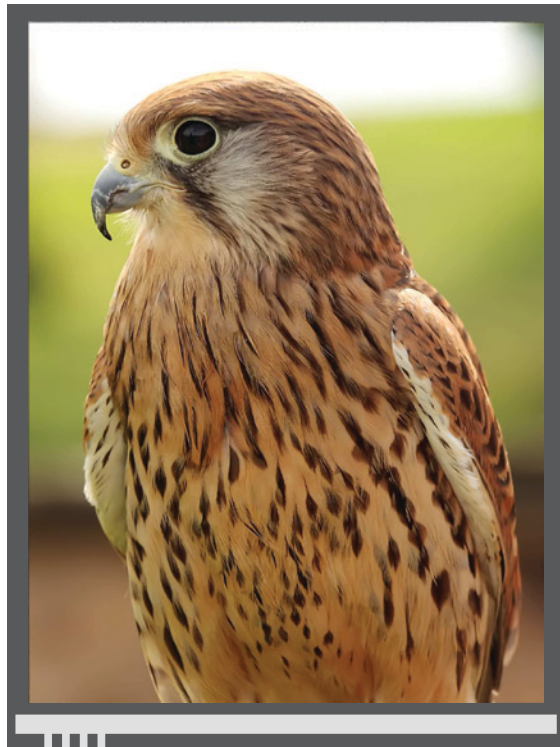
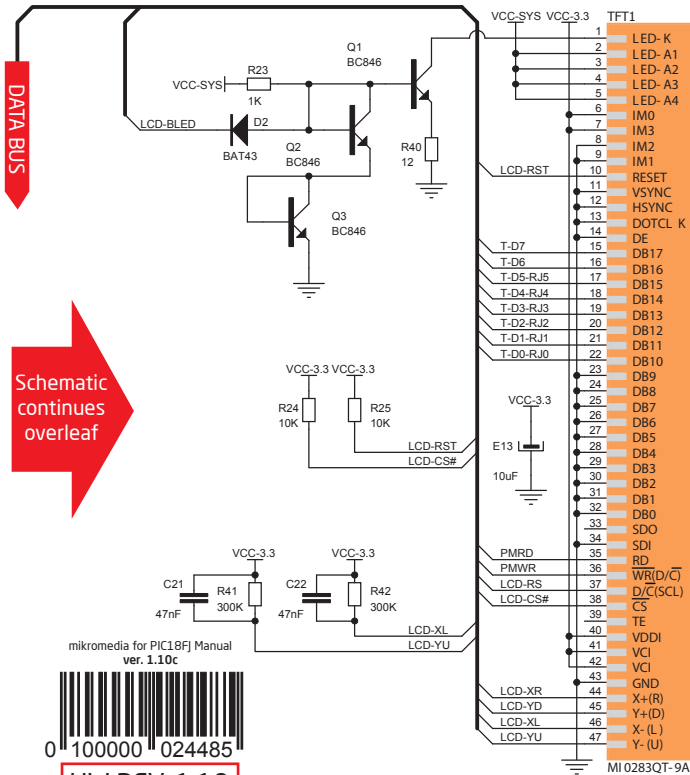
mikromedia™

for PIC18FJ®

We present you with a complete color schematics for mikromedia™ for PIC18FJ® development board. We want you to know what your board is consisted of and how it actually works.



Schematic continues overleaf



TFT 320x240 display with 262.144 colors