

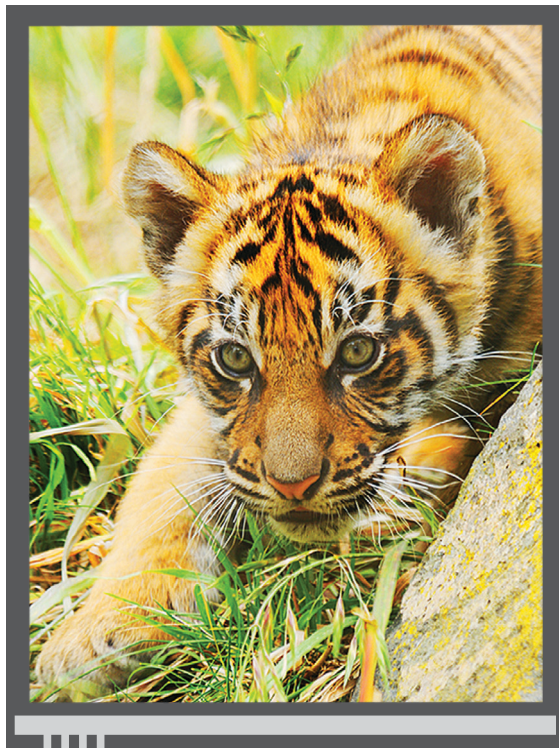
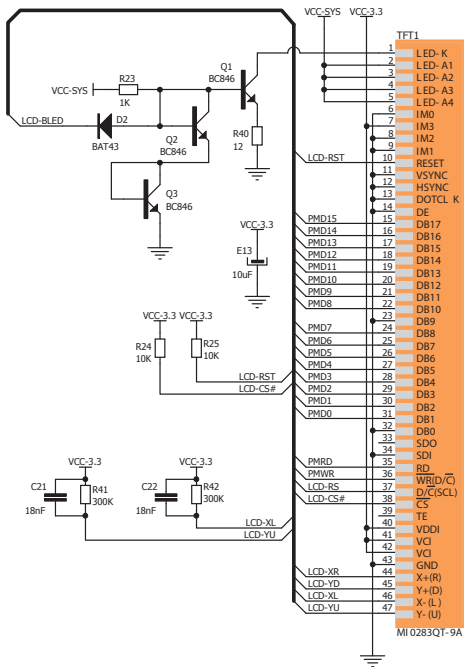
SCHEMATICS

# mikromedia™

## for PIC32®

We present you with a complete color schematics for mikromedia™ for PIC32® development board. We want you to know what your board is consisted of and how it actually works.





mikromedia for PIC32 Schematics

ver. 1.10e



0 100000 027141

HW REV. 1.10

Copyright © 2014 MikroElektronika. All Rights Reserved.

MikroElektronika assumes no responsibility or liability for any errors or inaccuracies that may appear in the present document.

Specification and information contained in the present schematic are subject to change at any time without notice.