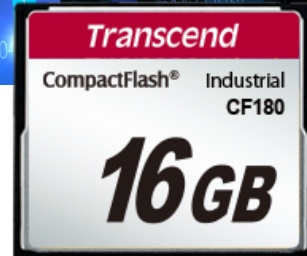


Embedded Solutions



CompactFlash Cards CF180

Transcend's SuperMLC technology is a cost-effective solution that offers performance close to that of SLC NAND flash at a more affordable price. Boasting a high-speed data transfer rate, Transcend's SuperMLC CF180 CompactFlash cards are perfect for embedded systems, medical instruments, road surveillance systems, and other industrial applications having high performance and capacity demands. Thanks to their use of Static Data Refresh and Early Retirement technology, CF180 CF cards feature error correction capability, maintain data integrity, and have an extended lifespan.

Hardware Features

- Compliant with RoHS standards
- Compliant with CompactFlash specification 6.0
- Intelligent Power Shield (IPS) to prevent data loss in the event of sudden power outage
- Durability: 10,000 insertion/removal cycles

Firmware Features

- Enhanced S.M.A.R.T. function for durability
- Security Command
- Static Data Refresh
- Early Retirement
- Operation modes supported: PC Card Memory mode, PC Card IO mode, and True IDE mode

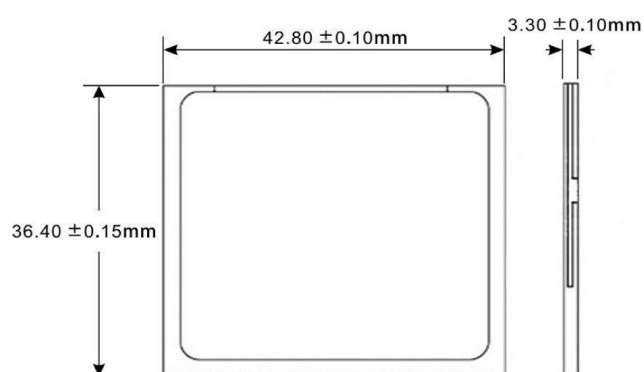
Ordering Information

4GB	TS4GCF180
8GB	TS8GCF180
16GB	TS16GCF180

Specifications

Appearance	Dimensions	42.8 mm x 36.4 mm x 3.3 mm (1.69" x 1.43" x 0.13")
	Pin Count	50 pin
	Form Factor	Compact flash card
Storage	Flash Type	SuperMLC
	Capacity	4 GB / 8 GB / 16 GB
Operating Environment	Operating Voltage	3.3V±5% 5V±10%
	Operating Temperature	0°C (32°F) ~ 70°C (158°F)
	Storage Temperature	-40°C (-40°F) ~ 85°C (185°F)
	Humidity	0% ~ 95%
	Shock	1500 G, 0.5 ms, 3 axis
	Vibration (Operating)	20 G (peak-to-peak), 20 Hz ~ 2,000 Hz (frequency)
Power	Power Consumption (Max.)	0.5 watt(s)
Performance	Read Speed (Max.)	up to 85 MB/s
	Write Speed (Max.)	up to 70 MB/s
	Mean Time Between Failures (MTBF)	3,000,000 hour(s)
Warranty	Warranty	Three-year Limited Warranty

Mechanical Dimensions



Product specifications are subject to change without notice. Pictures shown may differ from actual products. Total accessible capacity varies depending on operating environment. Due to the complexity and variety of industrial applications, Transcend cannot guarantee 100% compatibility with all platforms and under all scenarios. For special applications and environments, it is strongly suggested that you contact Transcend beforehand for clarification.