

Wide bandwidth dual bipolar operational amplifier

Datasheet – production data

Features

- Internally compensated
- Short-circuit protection
- Gain and phase match between amplifier
- Low power consumption
- Pin-to-pin compatible with MC1458/LM358
- Gain bandwidth (at 100 kHz): 5.5 MHz

Description

The MC4558 is a high performance monolithic dual operational amplifier.

The circuit combines all of the outstanding features of the MC1458, and in addition possesses three times the unity gain bandwidth of the industry standard.

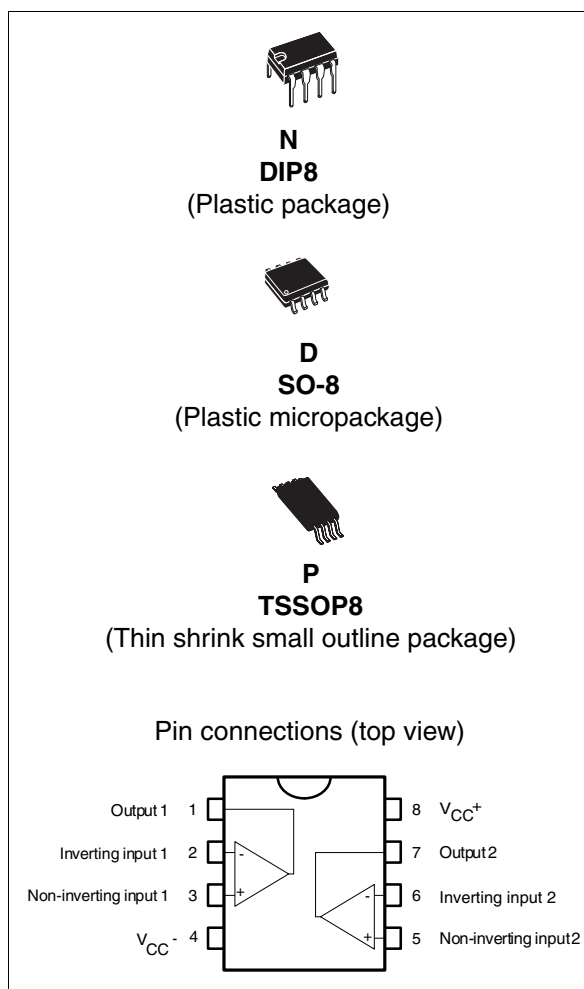


Table 1. Device summary

Order codes	Temperature range	Package	Packing	Marking
MC4558CN	0 °C to +70 °C	DIP8	Tube	MC4558CN
MC4558CD/CDT		SO-8	Tube or tape & reel	4558C
MC4558CPT		TSSOP8	Tape & reel	
MC4558ID/IDT	-40 °C to +105 °C	SO-8	Tube or tape & reel	4558I

1 Absolute maximum ratings

Table 2. Key parameters and their absolute maximum ratings

Symbol	Parameter	MC4558I	MC4558C	Unit
V_{CC}	Supply voltage	±22		V
$V_i^{(1)}$	Input voltage	±15		V
$V_{id}^{(2)}$	Differential input voltage	±30		V
P_{tot}	Power dissipation	680		mW
	Output short-circuit duration	Infinite		
T_{oper}	Operating free-air temperature range	-40 to +105	0 to +70	°C
R_{thja}	Thermal resistance junction-to-ambient:			°C/W
	SO-8	125		
	TSSOP8	120		
	DIP8	85		
ESD	HBM: Human body model ⁽³⁾	500		V
	MM: Machine model ⁽⁴⁾	200		
	CDM: Charged device model	1500		

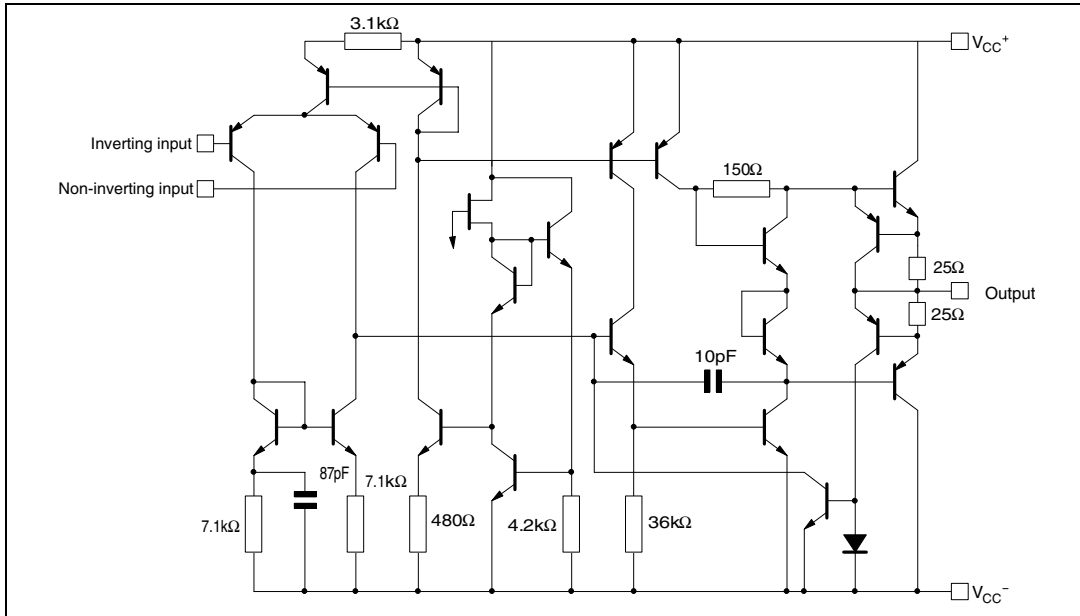
1. Input voltage is with respect to the midpoint between V_{cc+} and V_{cc-} . Its value must never exceed 15 V or the magnitude of V_{cc} , whichever is less.
2. Differential voltages are the non-inverting input terminal with respect to the inverting input terminal.
3. Human body model, 100 pF discharged through a 1.5 kΩ resistor into pin of device.
4. Machine model ESD, a 200 pF cap is charged to the specified voltage, then discharged directly into the IC with no external series resistor (internal resistor < 5 Ω), into pin of device.

Table 3. Operating conditions

Symbol	Parameter	Min.	Max.	Unit
V_{CC}	Supply voltage	±2	±20	V

2 Typical application schematic

Figure 1. Schematic diagram (1/2MC4558)



3 Electrical characteristics

Table 4. Electrical characteristics for $V_{CC} = \pm 15\text{ V}$, $T_{amb} = 25\text{ }^{\circ}\text{C}$ (unless otherwise specified)

Symbol	Parameter	Min.	Typ.	Max.	Unit
V_{io}	Input offset voltage ($R_s \leq 10\text{k}\Omega$) $T_{amb} = +25^{\circ}\text{C}$ $T_{min} \leq T_{amb} \leq T_{max}$.		1	5 6	mV
I_{io}	Input offset current $T_{amb} = +25^{\circ}\text{C}$ $T_{min} \leq T_{amb} \leq T_{max}$.		20	100 200	nA
I_{ib}	Input bias current $T_{amb} = +25^{\circ}\text{C}$ $T_{min} \leq T_{amb} \leq T_{max}$.		50	400 500	nA
A_{vd}	Large signal voltage gain ($R_L = 2\text{k}\Omega$, $V_o = \pm 10\text{V}$) $T_{amb} = +25^{\circ}\text{C}$ $T_{min} \leq T_{amb} \leq T_{max}$.	50 25	200		V/mV
SVR	Supply voltage rejection ratio ($R_s \leq 10\text{k}\Omega$) $T_{amb} = +25^{\circ}\text{C}$ $T_{min} \leq T_{amb} \leq T_{max}$.	77 77	90		dB
I_{CC}	Supply current, all amplifiers, no load $T_{amb} = +25^{\circ}\text{C}$ $T_{min} \leq T_{amb} \leq T_{max}$.		2.3	4.5 6	mA
V_{icm}	Input common mode voltage range $T_{amb} = +25^{\circ}\text{C}$ $T_{min} \leq T_{amb} \leq T_{max}$.	± 12 ± 12			V
CMR	Common-mode rejection ratio ($R_s \leq 10\text{k}\Omega$) $T_{amb} = +25^{\circ}\text{C}$ $T_{min} \leq T_{amb} \leq T_{max}$.	70 70	90		dB
I_{os}	Output short-circuit current	10	20	40	mA
V_o	Output voltage swing $T_{amb} = +25^{\circ}\text{C}$, $R_L = 10\text{k}\Omega$ $R_L = 2\text{k}\Omega$ $T_{min} \leq T_{amb} \leq T_{max}$, $R_L = 10\text{k}\Omega$ $R_L = 2\text{k}\Omega$	± 12 ± 10 ± 12 ± 10	± 14 ± 13		V
SR	Slew rate $V_i = \pm 10$, $R_L = 2\text{k}\Omega$, $C_L = 100\text{pF}$, $T_{amb} = 25^{\circ}\text{C}$, unity gain	1.5	2.2		V/ μs
t_r	Rise time $V_i = \pm 20\text{mV}$, $R_L = 2\text{k}\Omega$, $C_L = 100\text{pF}$, $T_{amb} = 25^{\circ}\text{C}$, unity gain		0.3		μs
K_{OV}	Overshoot $V_i = \pm 20\text{mV}$, $R_L = 2\text{k}\Omega$, $C_L = 100\text{pF}$, $T_{amb} = 25^{\circ}\text{C}$, unity gain		15		%
R_i	Input resistance	0.3	2		$\text{M}\Omega$
C_i	Input capacitance		1.4		pF
R_o	Output resistance		75		Ω
B	Unity gain bandwidth		2.8		MHz

Table 4. Electrical characteristics for $V_{CC} = \pm 15\text{ V}$, $T_{amb} = 25\text{ }^{\circ}\text{C}$ (unless otherwise specified)

Symbol	Parameter	Min.	Typ.	Max.	Unit
GBP	Gain bandwidth product $V_i = 10\text{mV}$, $R_L = 2\text{k}\Omega$, $C_L = 100\text{pF}$, $f = 100\text{kHz}$, $T_{amb} = 25^{\circ}\text{C}$		5.5		MHz
THD	Total harmonic distortion $f = 1\text{kHz}$, $A_v = 20\text{dB}$, $R_L = 2\text{k}\Omega$, $V_o = 2V_{pp}$, $C_L = 100\text{pF}$, $T_{amb} = 25^{\circ}\text{C}$		0.008		%
e_n	Equivalent input noise voltage ($R_S = 100\Omega$, $f = 1\text{kHz}$)		12		$\frac{\text{nV}}{\sqrt{\text{Hz}}}$
V_{O1}/V_{O2}	Channel separation		120		dB

Figure 2. Transient response test circuit

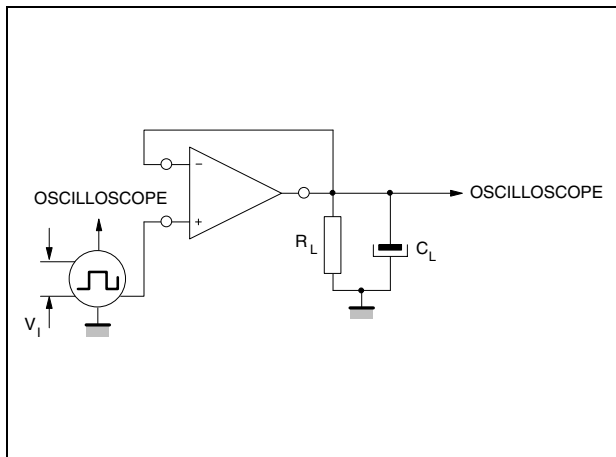


Figure 3. Positive output voltage swing vs. load resistance

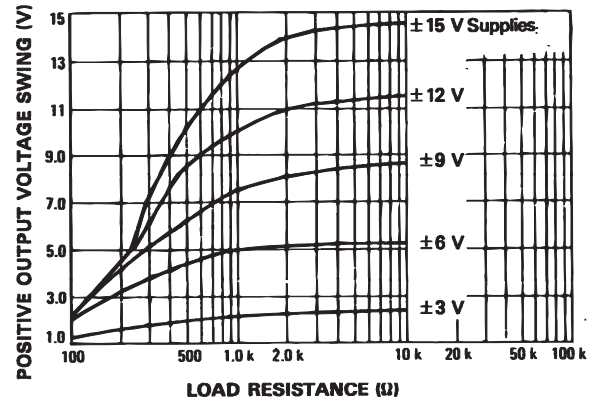


Figure 4. Open loop frequency response

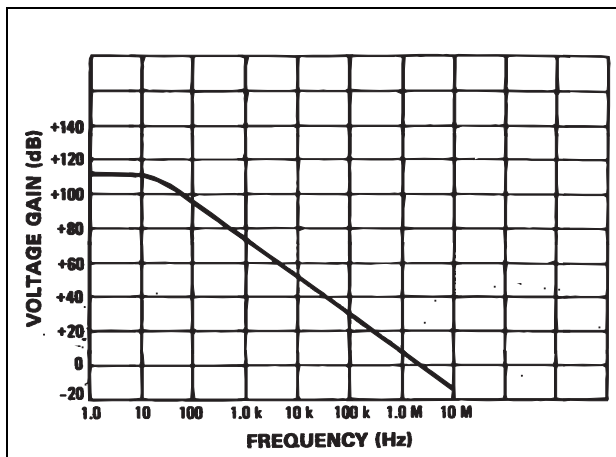


Figure 5. Negative output voltage swing vs. load resistance

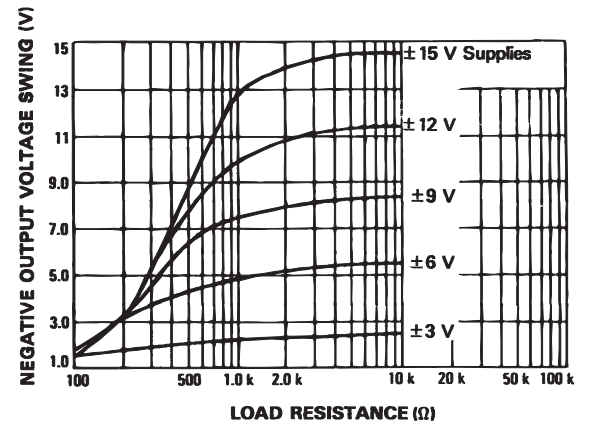


Figure 6. Phase margin vs. frequency

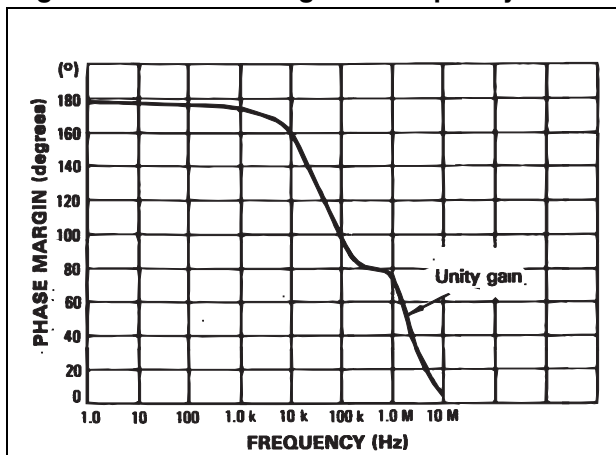
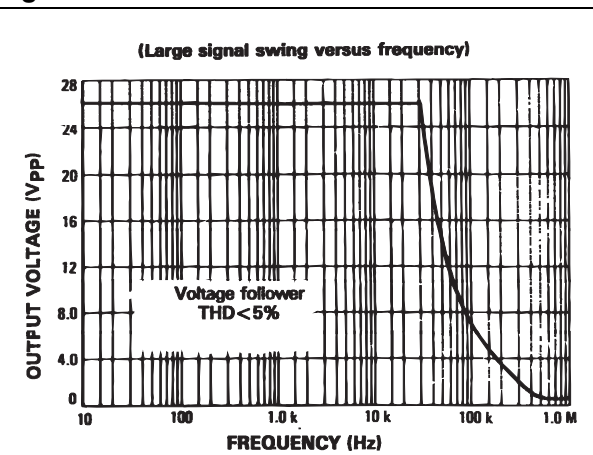


Figure 7. Power bandwidth



4 Package mechanical data

In order to meet environmental requirements, ST offers these devices in different grades of ECOPACK[®] packages, depending on their level of environmental compliance. ECOPACK[®] specifications, grade definitions and product status are available at: www.st.com. ECOPACK[®] is an ST trademark.

Figure 8. DIP8 package

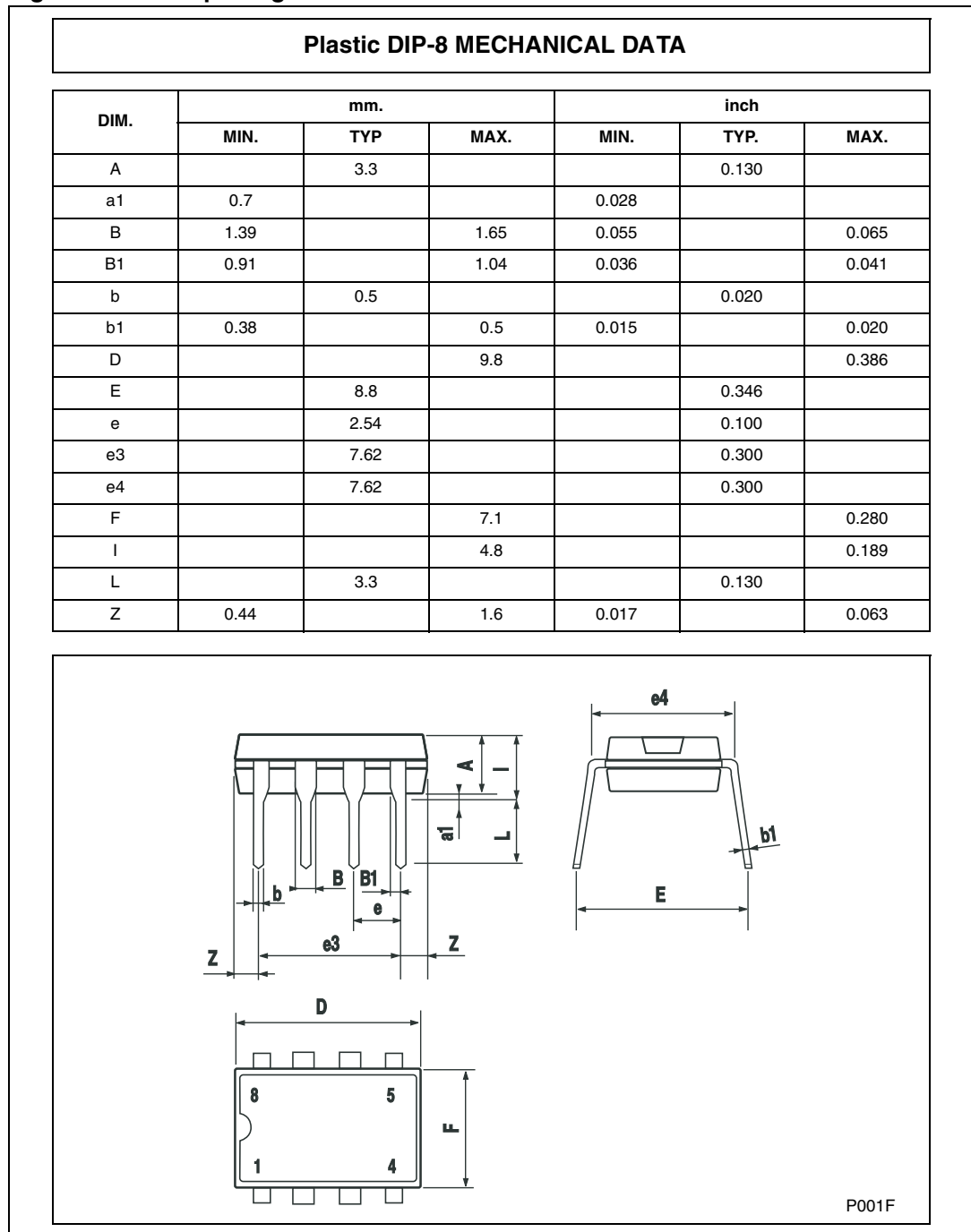


Figure 9. SO-8 package

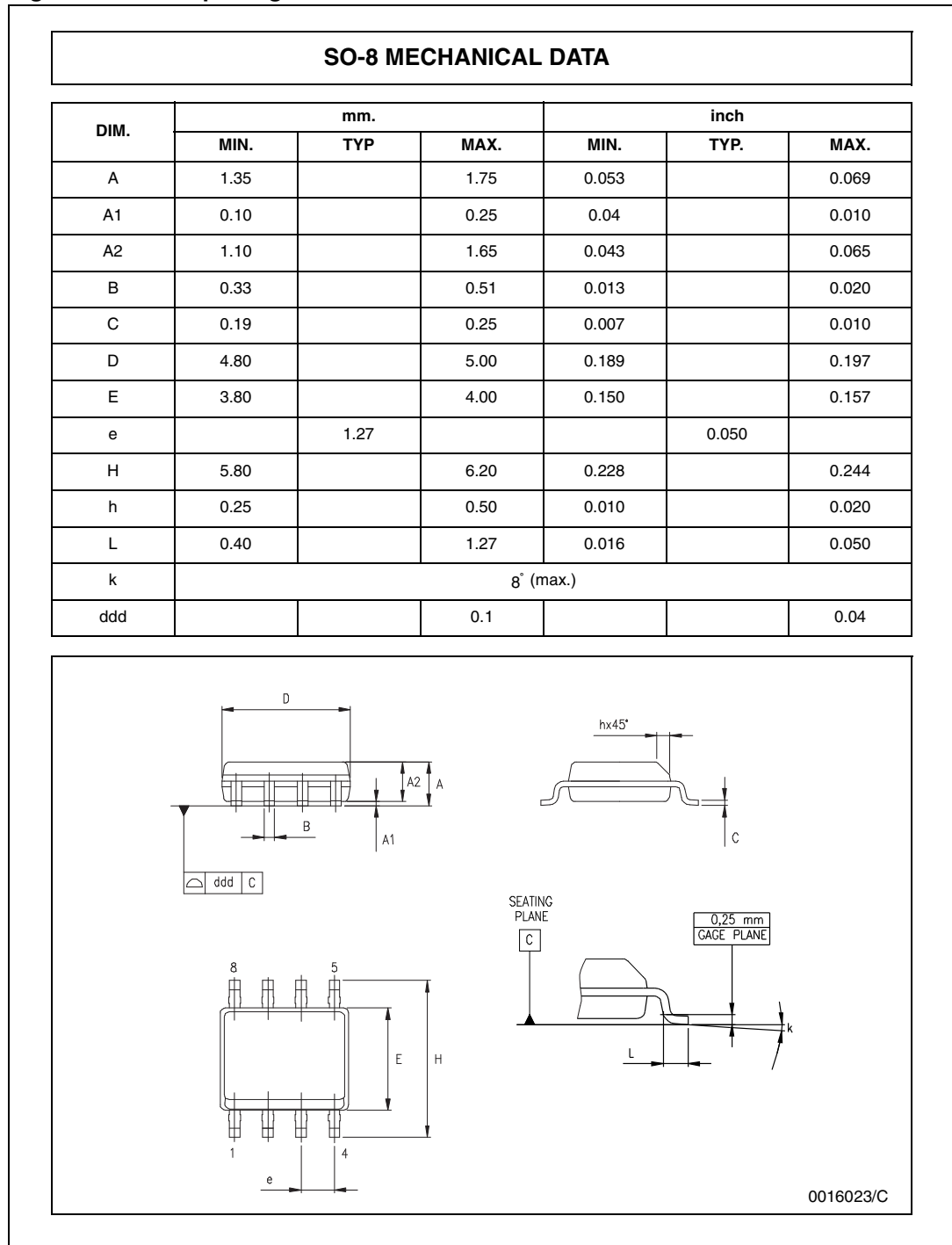
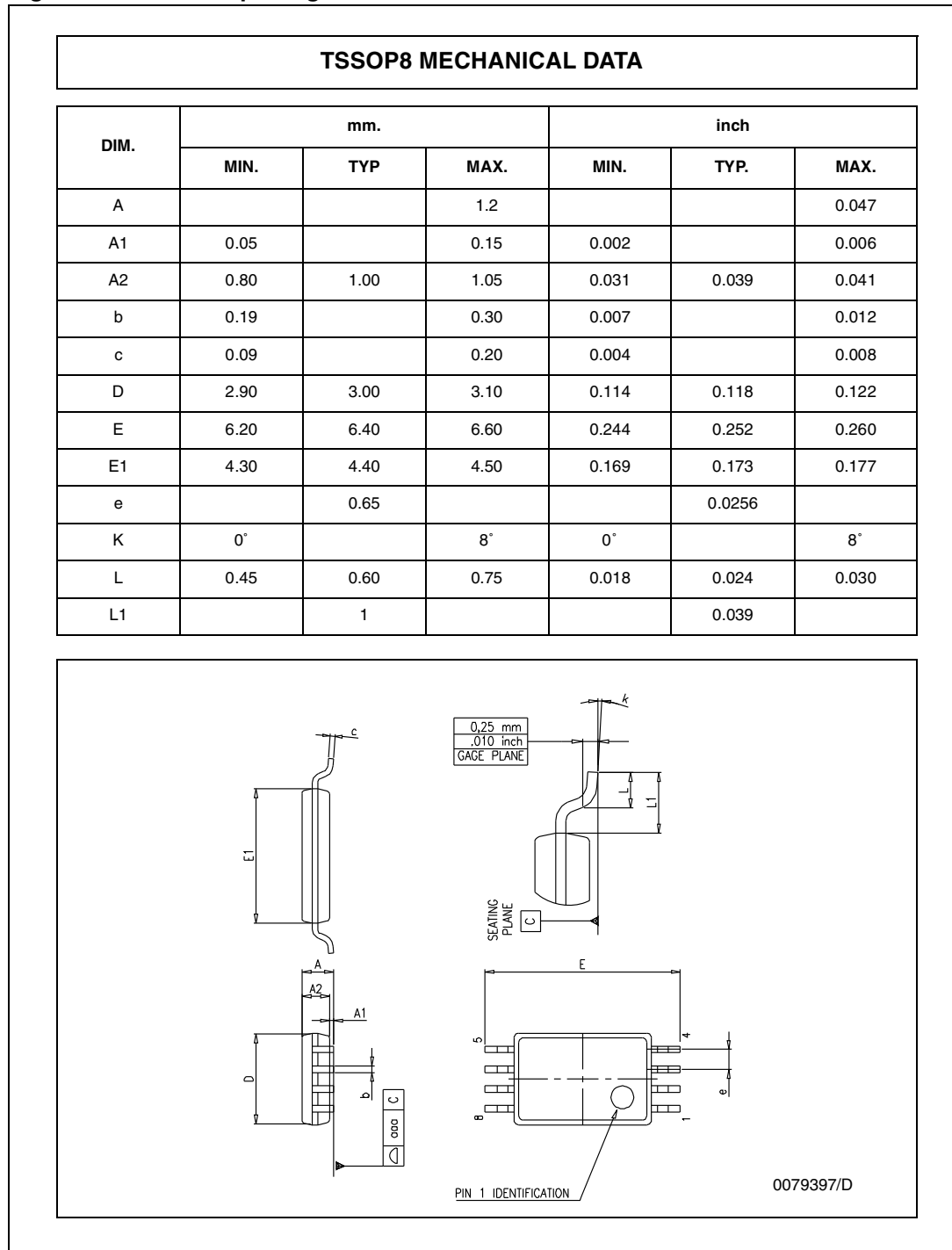


Figure 10. TSSOP8 package



5 Revision history

Table 5. Document revision history

Date	Revision	Changes
Oct-2001	1	Initial release.
Oct-2005	2	The following changes were made in this revision: – Table 3.: Operating conditions on page 2 updated with Vcc min. and max. – Addition of supplementary data in Table 2.: Key parameters and their absolute maximum ratings on page 2 Minor grammatical and formatting changes throughout.
13-Apr-2012	3	– ESD MM changed from 500 V to 200 V in Table 2: Key parameters and their absolute maximum ratings – Order codes MC4558IN and MC4558IPT removed from Table 1.: Device summary – Minor text and formatting changes throughout.

Please Read Carefully:

Information in this document is provided solely in connection with ST products. STMicroelectronics NV and its subsidiaries ("ST") reserve the right to make changes, corrections, modifications or improvements, to this document, and the products and services described herein at any time, without notice.

All ST products are sold pursuant to ST's terms and conditions of sale.

Purchasers are solely responsible for the choice, selection and use of the ST products and services described herein, and ST assumes no liability whatsoever relating to the choice, selection or use of the ST products and services described herein.

No license, express or implied, by estoppel or otherwise, to any intellectual property rights is granted under this document. If any part of this document refers to any third party products or services it shall not be deemed a license grant by ST for the use of such third party products or services, or any intellectual property contained therein or considered as a warranty covering the use in any manner whatsoever of such third party products or services or any intellectual property contained therein.

UNLESS OTHERWISE SET FORTH IN ST'S TERMS AND CONDITIONS OF SALE ST DISCLAIMS ANY EXPRESS OR IMPLIED WARRANTY WITH RESPECT TO THE USE AND/OR SALE OF ST PRODUCTS INCLUDING WITHOUT LIMITATION IMPLIED WARRANTIES OF MERCHANTABILITY, FITNESS FOR A PARTICULAR PURPOSE (AND THEIR EQUIVALENTS UNDER THE LAWS OF ANY JURISDICTION), OR INFRINGEMENT OF ANY PATENT, COPYRIGHT OR OTHER INTELLECTUAL PROPERTY RIGHT.

UNLESS EXPRESSLY APPROVED IN WRITING BY TWO AUTHORIZED ST REPRESENTATIVES, ST PRODUCTS ARE NOT RECOMMENDED, AUTHORIZED OR WARRANTED FOR USE IN MILITARY, AIR CRAFT, SPACE, LIFE SAVING, OR LIFE SUSTAINING APPLICATIONS, NOR IN PRODUCTS OR SYSTEMS WHERE FAILURE OR MALFUNCTION MAY RESULT IN PERSONAL INJURY, DEATH, OR SEVERE PROPERTY OR ENVIRONMENTAL DAMAGE. ST PRODUCTS WHICH ARE NOT SPECIFIED AS "AUTOMOTIVE GRADE" MAY ONLY BE USED IN AUTOMOTIVE APPLICATIONS AT USER'S OWN RISK.

Resale of ST products with provisions different from the statements and/or technical features set forth in this document shall immediately void any warranty granted by ST for the ST product or service described herein and shall not create or extend in any manner whatsoever, any liability of ST.

ST and the ST logo are trademarks or registered trademarks of ST in various countries.

Information in this document supersedes and replaces all information previously supplied.

The ST logo is a registered trademark of STMicroelectronics. All other names are the property of their respective owners.

© 2012 STMicroelectronics - All rights reserved

STMicroelectronics group of companies

Australia - Belgium - Brazil - Canada - China - Czech Republic - Finland - France - Germany - Hong Kong - India - Israel - Italy - Japan - Malaysia - Malta - Morocco - Philippines - Singapore - Spain - Sweden - Switzerland - United Kingdom - United States of America

www.st.com

