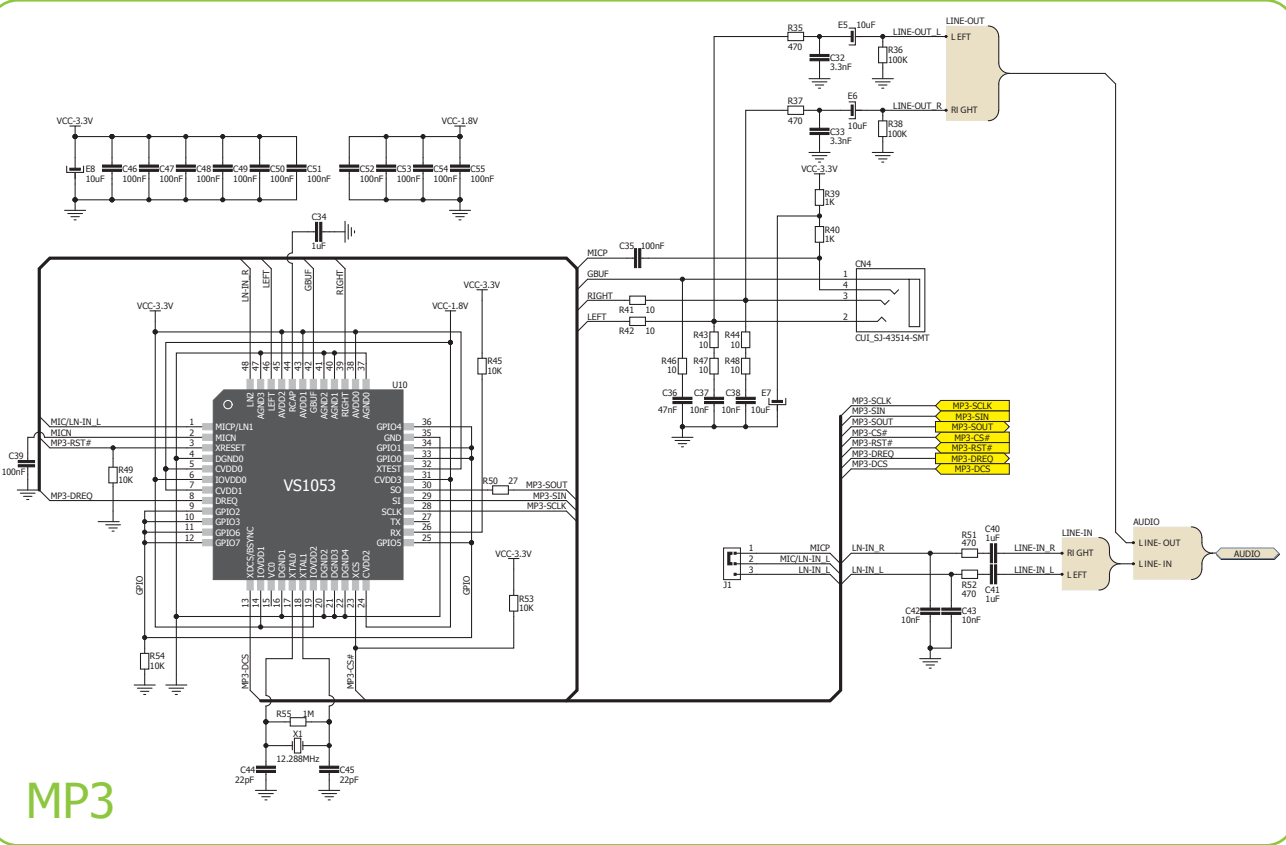
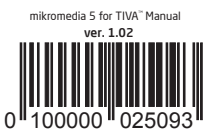


mikromedia 5 for Tiva™

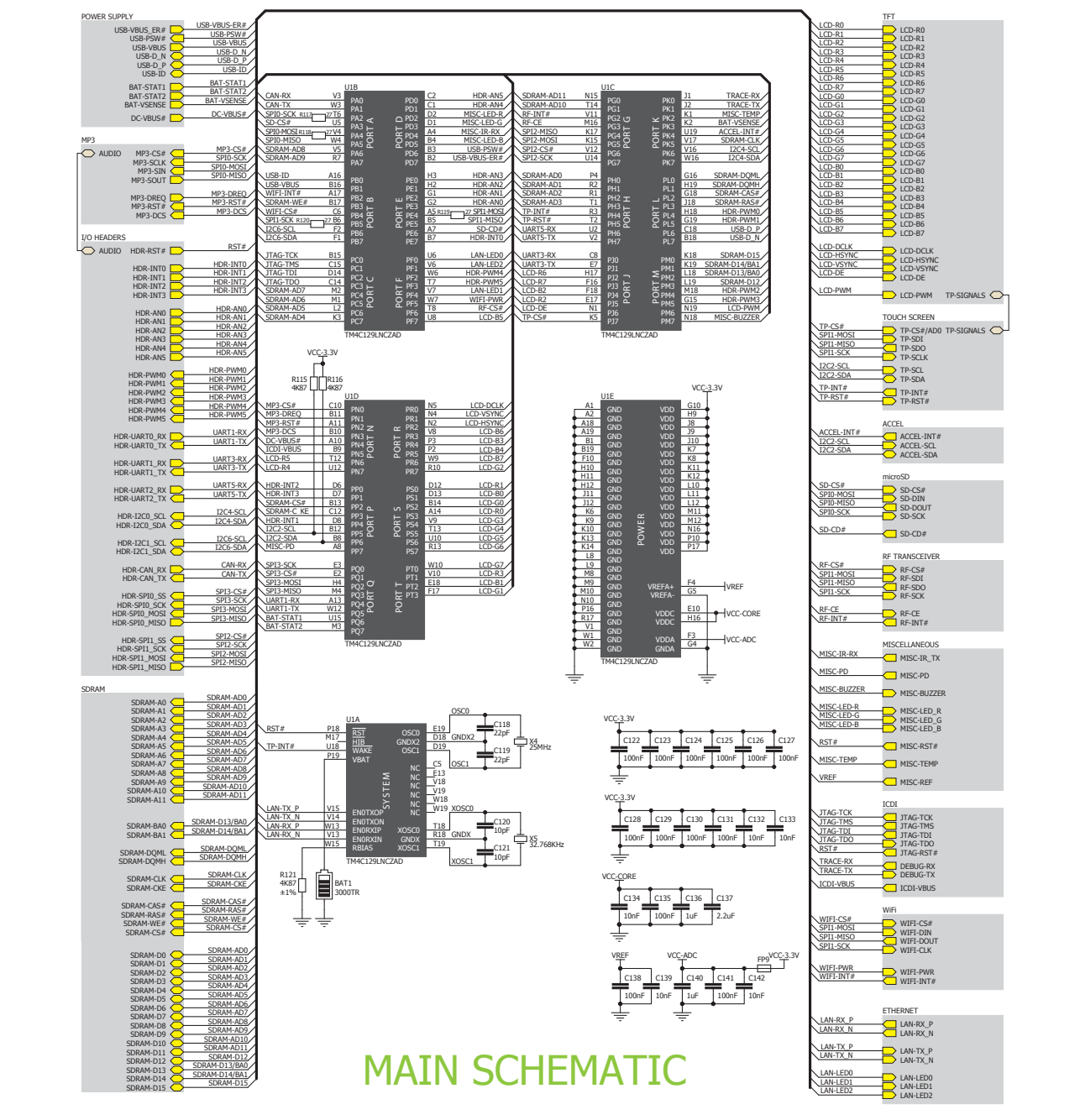
We present you with a complete color schematics for mikromedia 5 for Tiva™ development board. We want you to know what your board is consisted of and how it actually works.



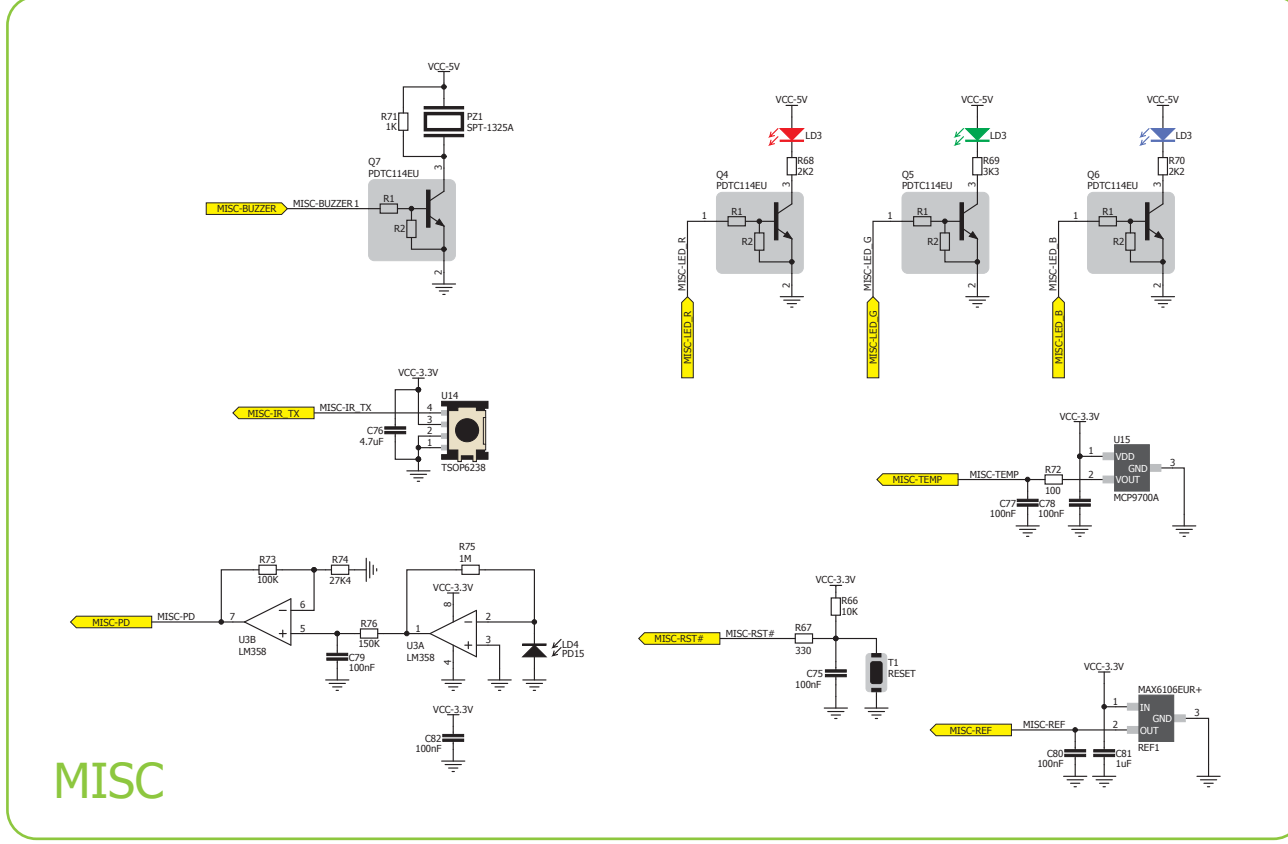
MP3



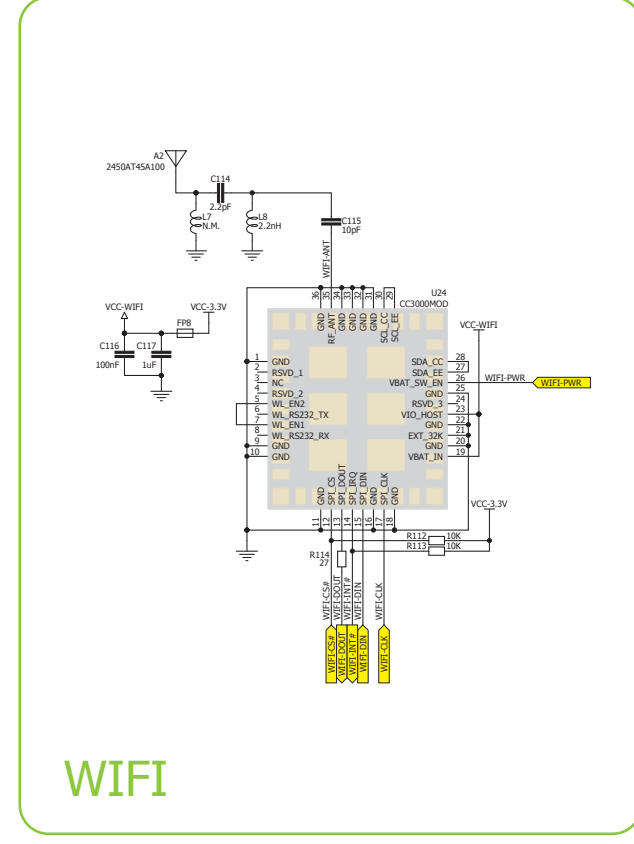
Designed by
MikroElektronika Ltd.
www.mikroe.com
November 2013.



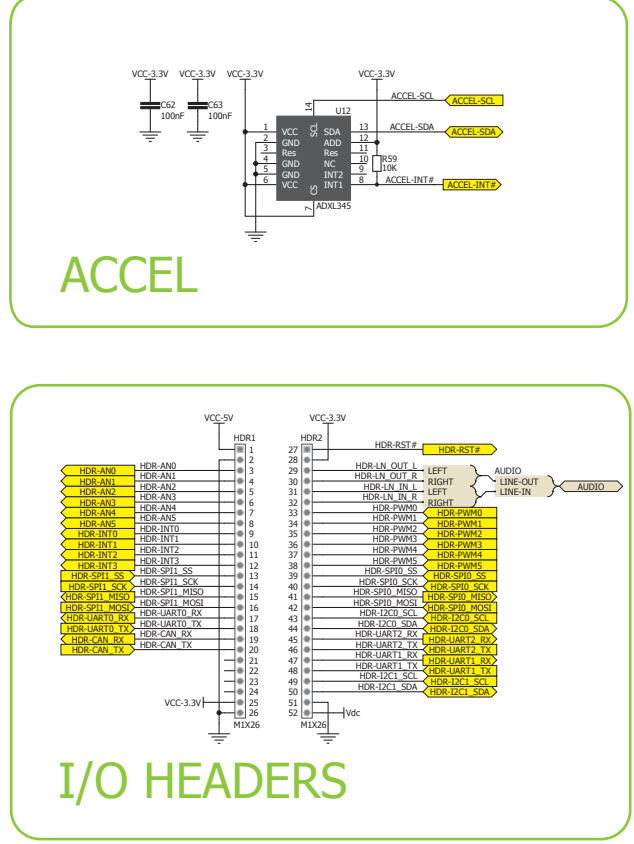
MAIN SCHEMATIC



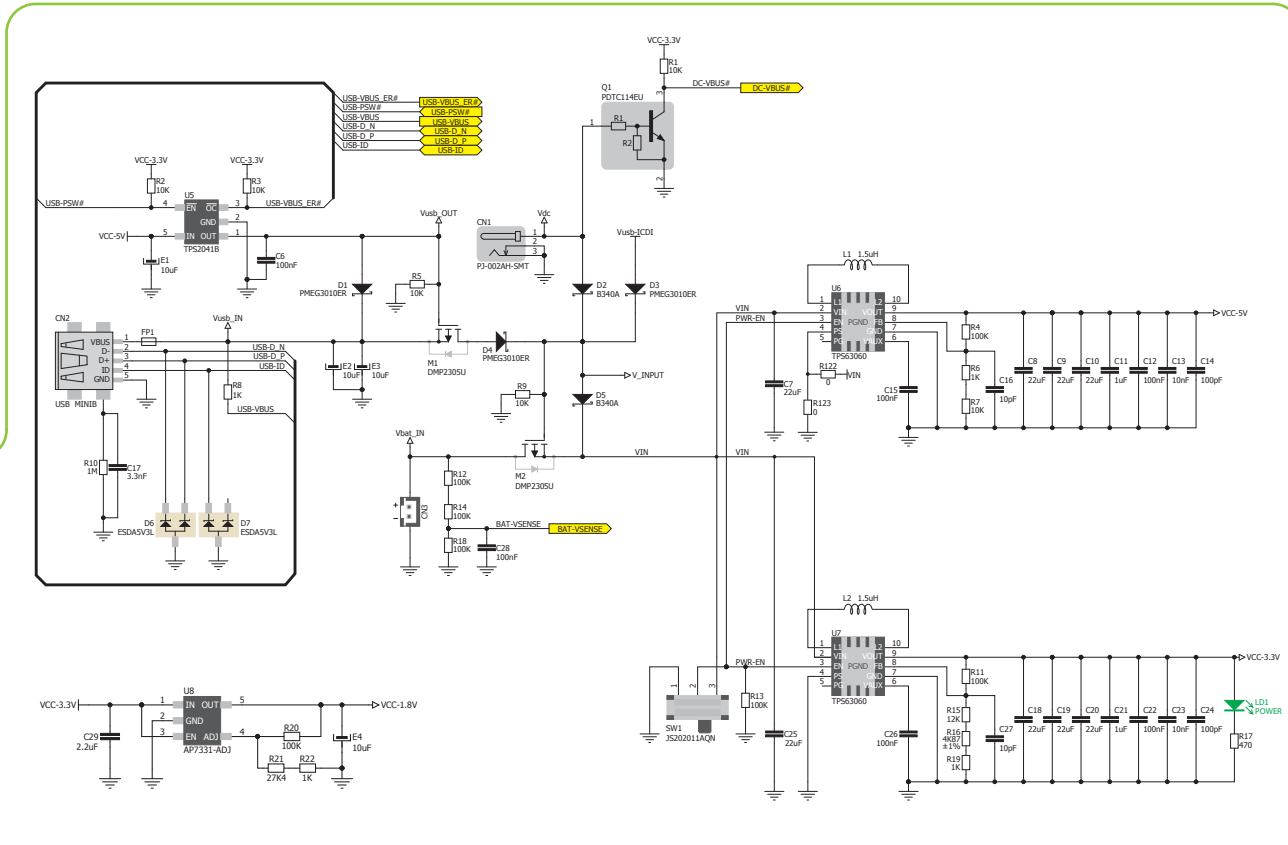
MISC



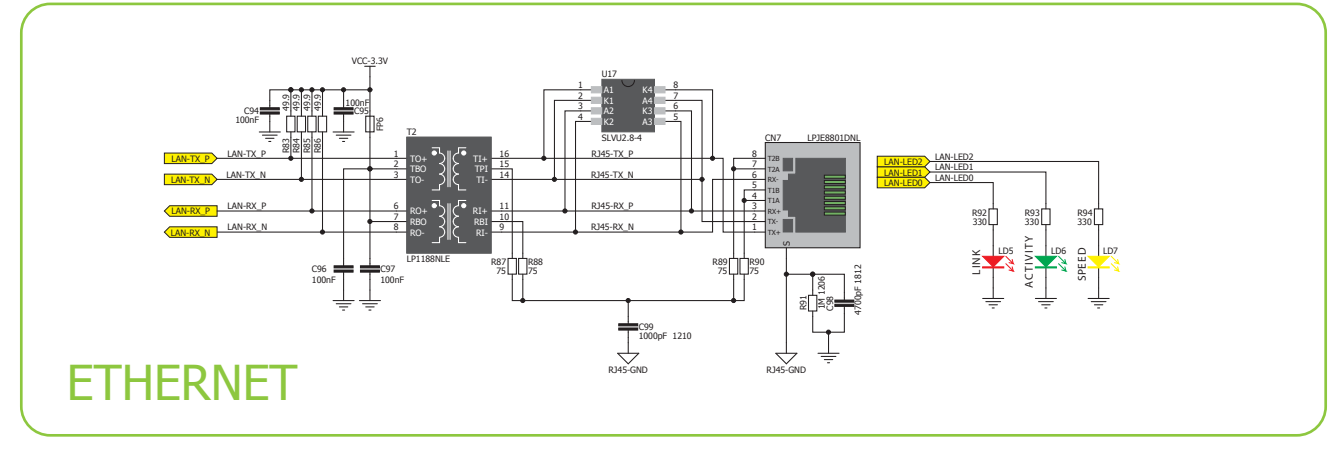
WIFI



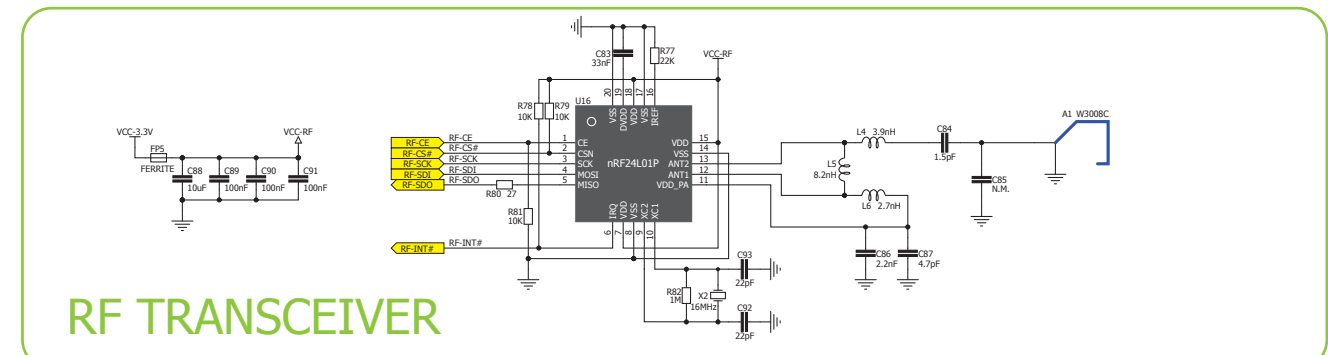
I/O HEADERS



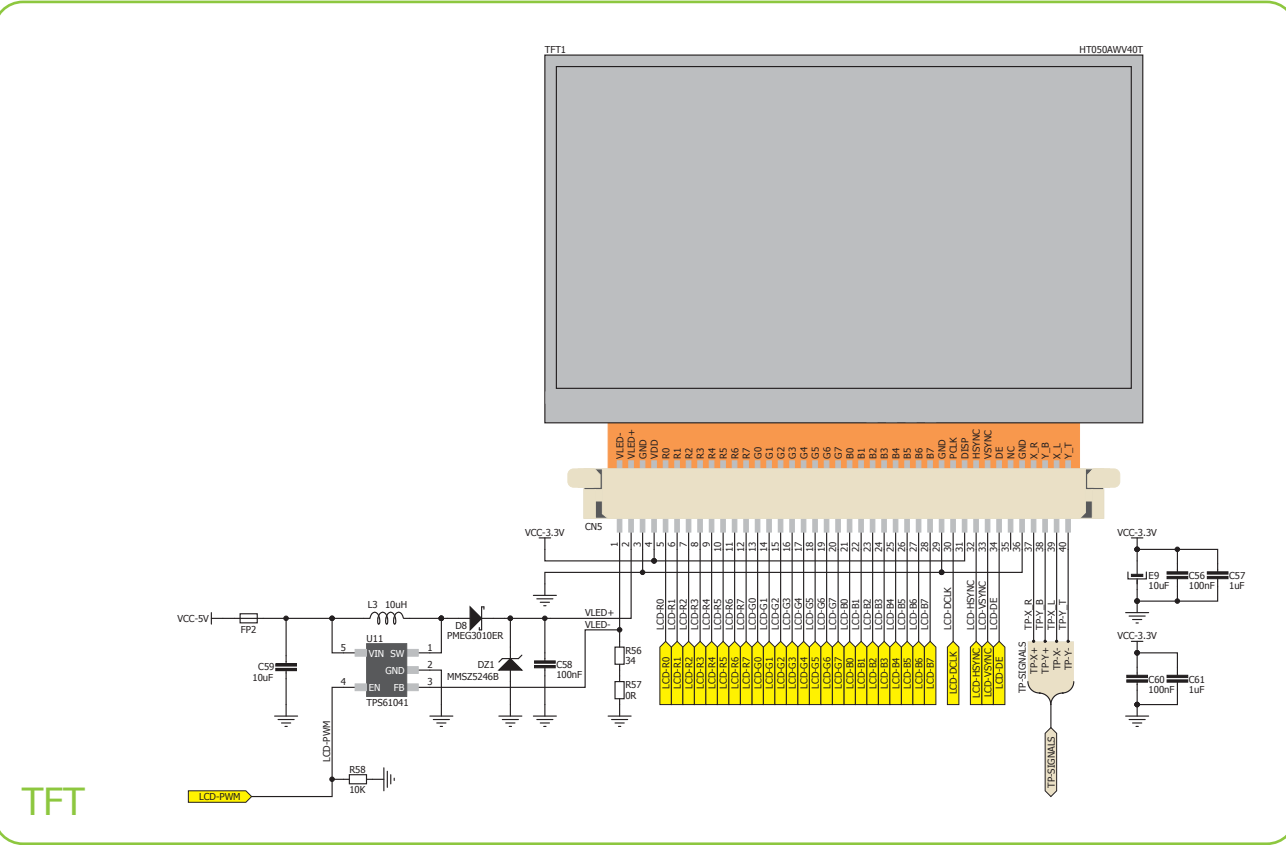
POWER SUPPLY



ETHERNET



RF TRANSCEIVER



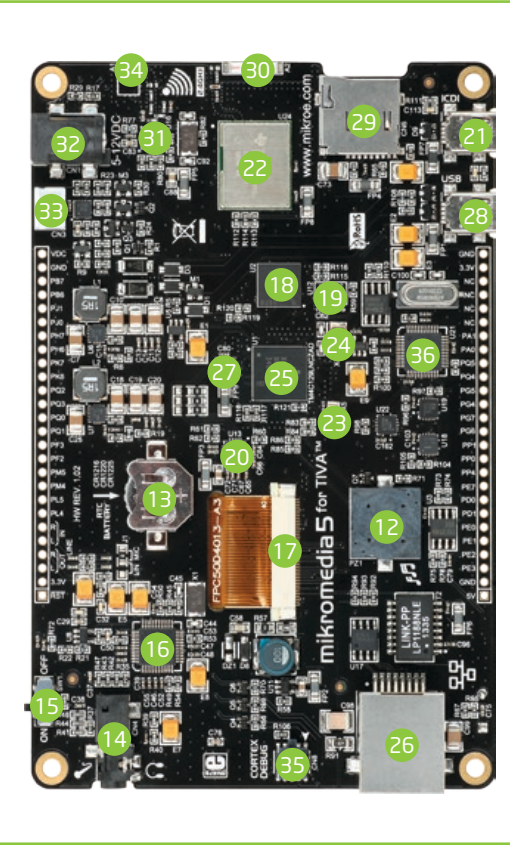
TFT



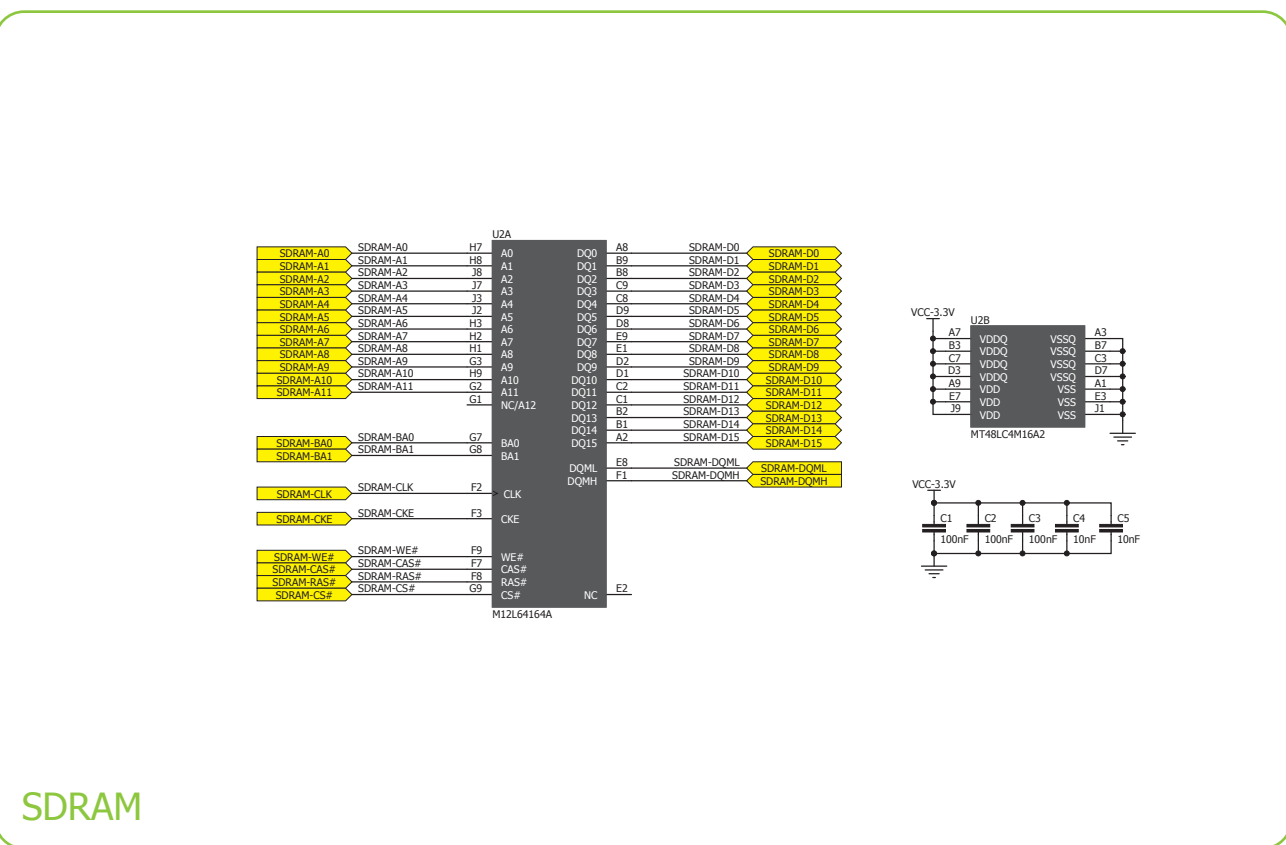
Board components (front)

- 01 PIN photodiode
- 02 IR receiver
- 03 RGB LED diode
- 04 RESET button
- 05 Connection pads
- 06 TFT 800x480 display
- 07 ETHERNET status LEDs
- 08 Charge indication LED
- 09 Power indication LED
- 10 Analog temperature sensor
- 11 ICDI programmer status LEDs
- 12 Buzzer
- 13 Coin battery holder
- 14 3.5mm audio connector
- 15 ON/OFF Switch
- 16 VS1053 Stereo mp3 coder/decoder
- 17 Flat cable connector
- 18 SDRAM

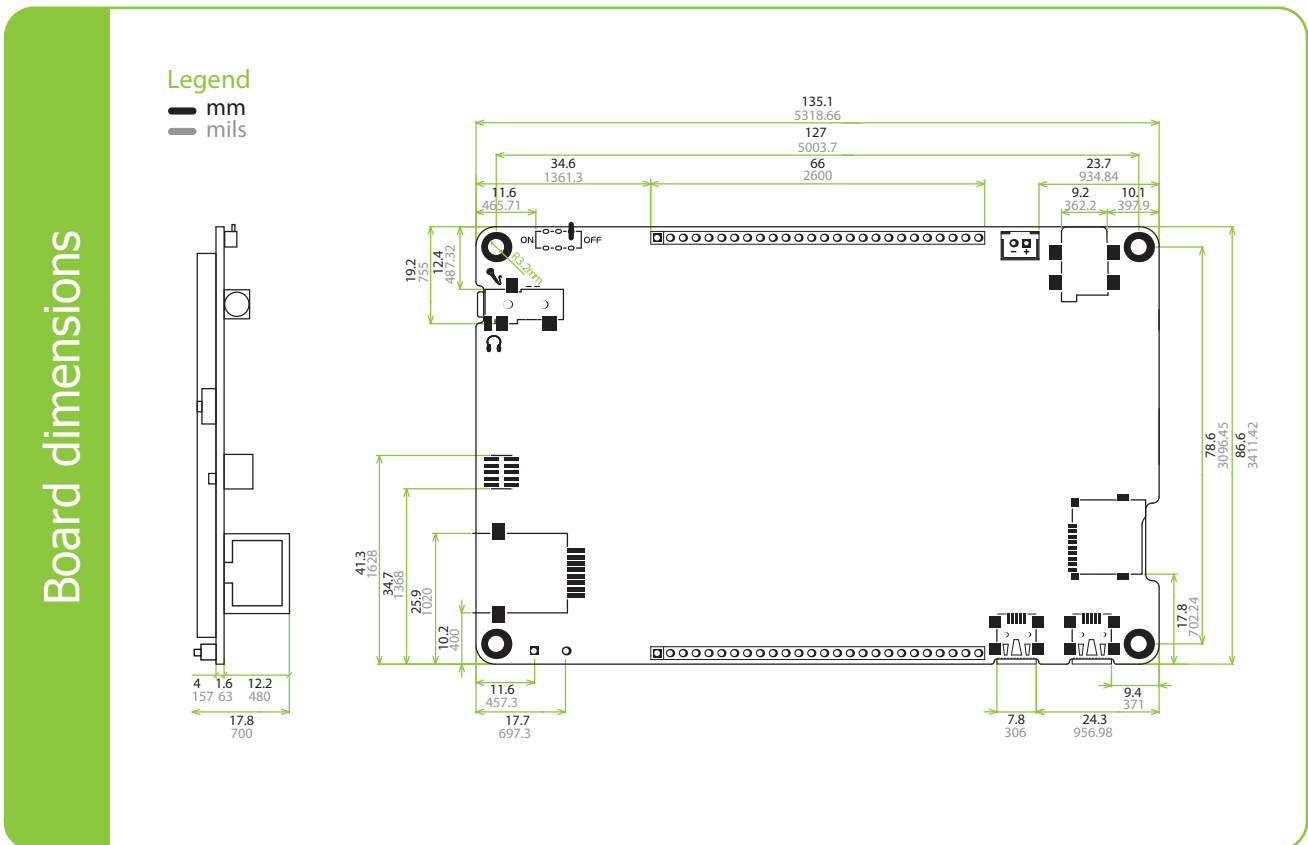
- 19 Accelerometer
- 20 Touch screen controller
- 21 USB ICDI MINI-B connector
- 22 CC3000 - WiFi module
- 23 32.768kHz Crystal oscillator
- 24 25MHz Crystal oscillator
- 25 TM4C129L(X)NCZAD
- 26 ETHERNET RJ-45 connector
- 27 Voltage reference chip
- 28 USB MINI-B connector
- 29 microSD card slot
- 30 Wi-Fi 2.4GHz Antenna
- 31 RF transceiver chip
- 32 Power supply adapter connector
- 33 Li-Polymer battery connector
- 34 RF 2.4GHz Antenna
- 35 Cortex debug programmer connector
- 36 On-board ICDI programmer



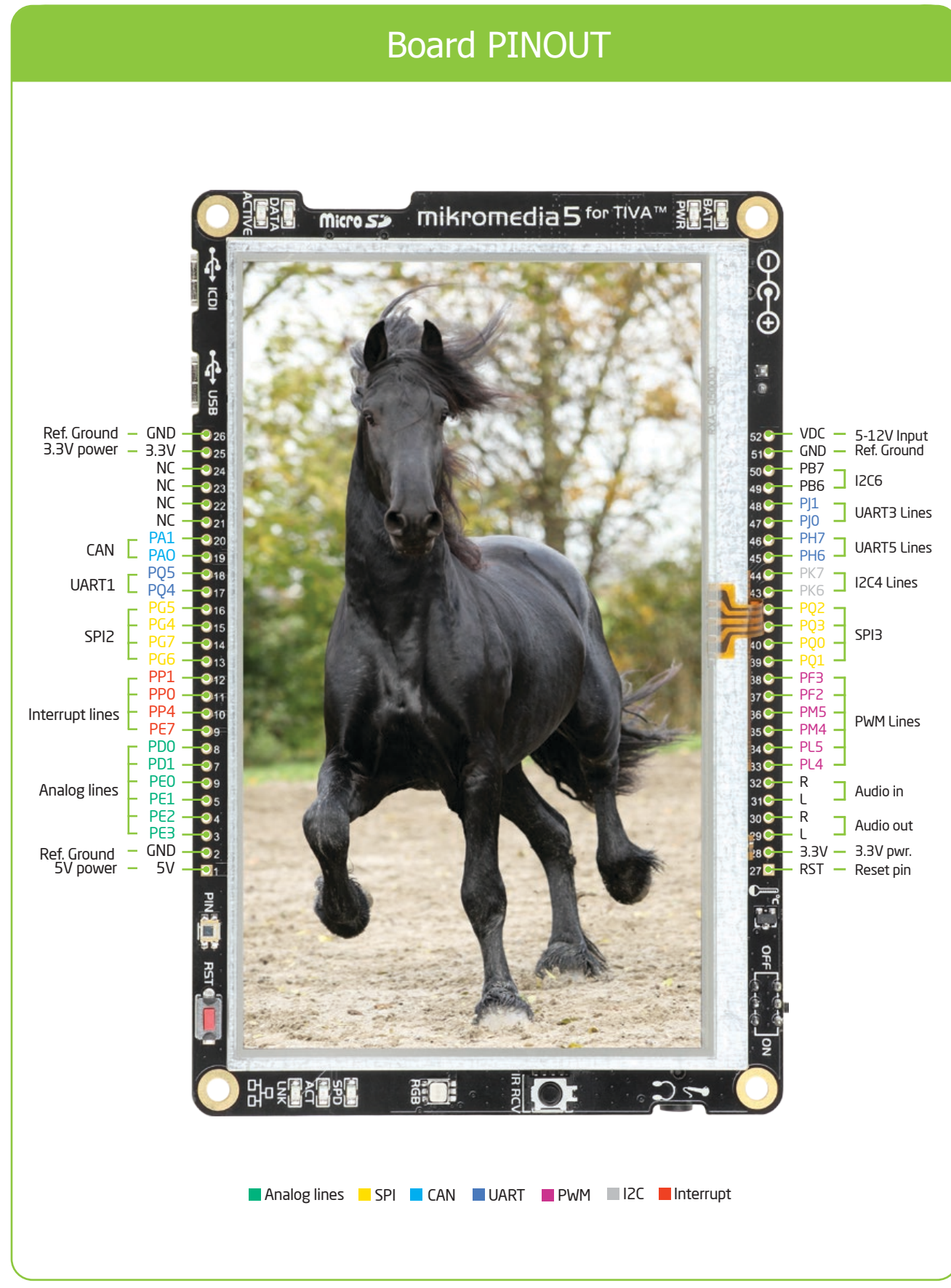
Board components (back)



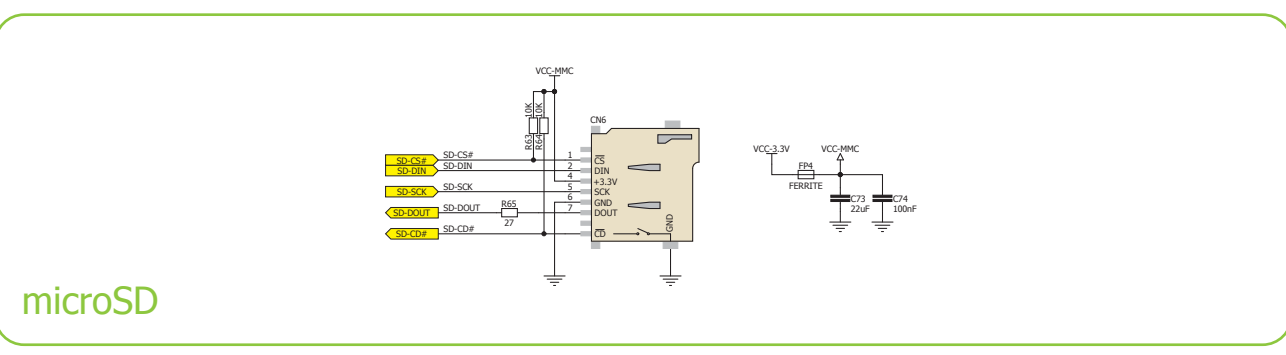
SDRAM



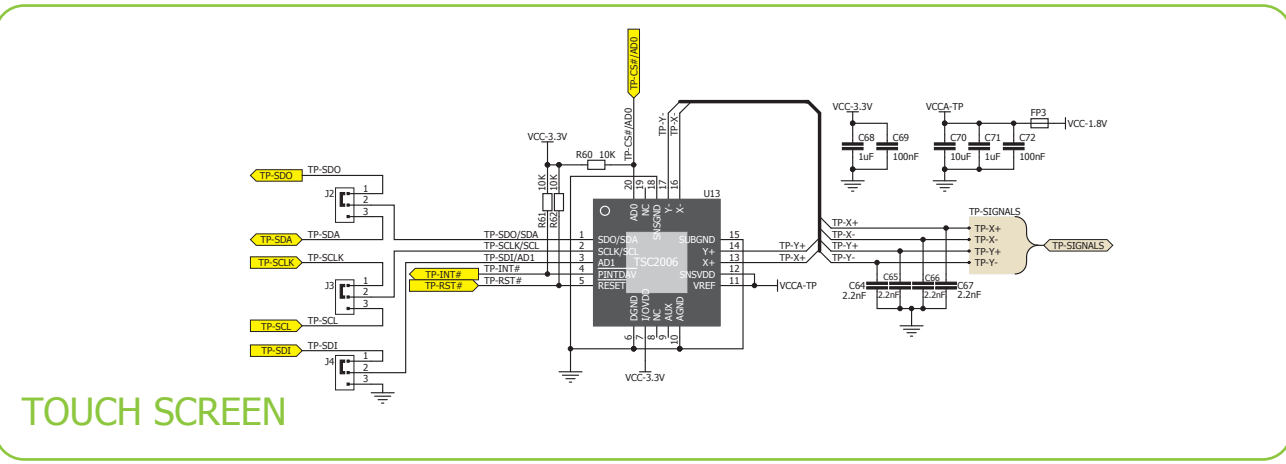
Board dimensions



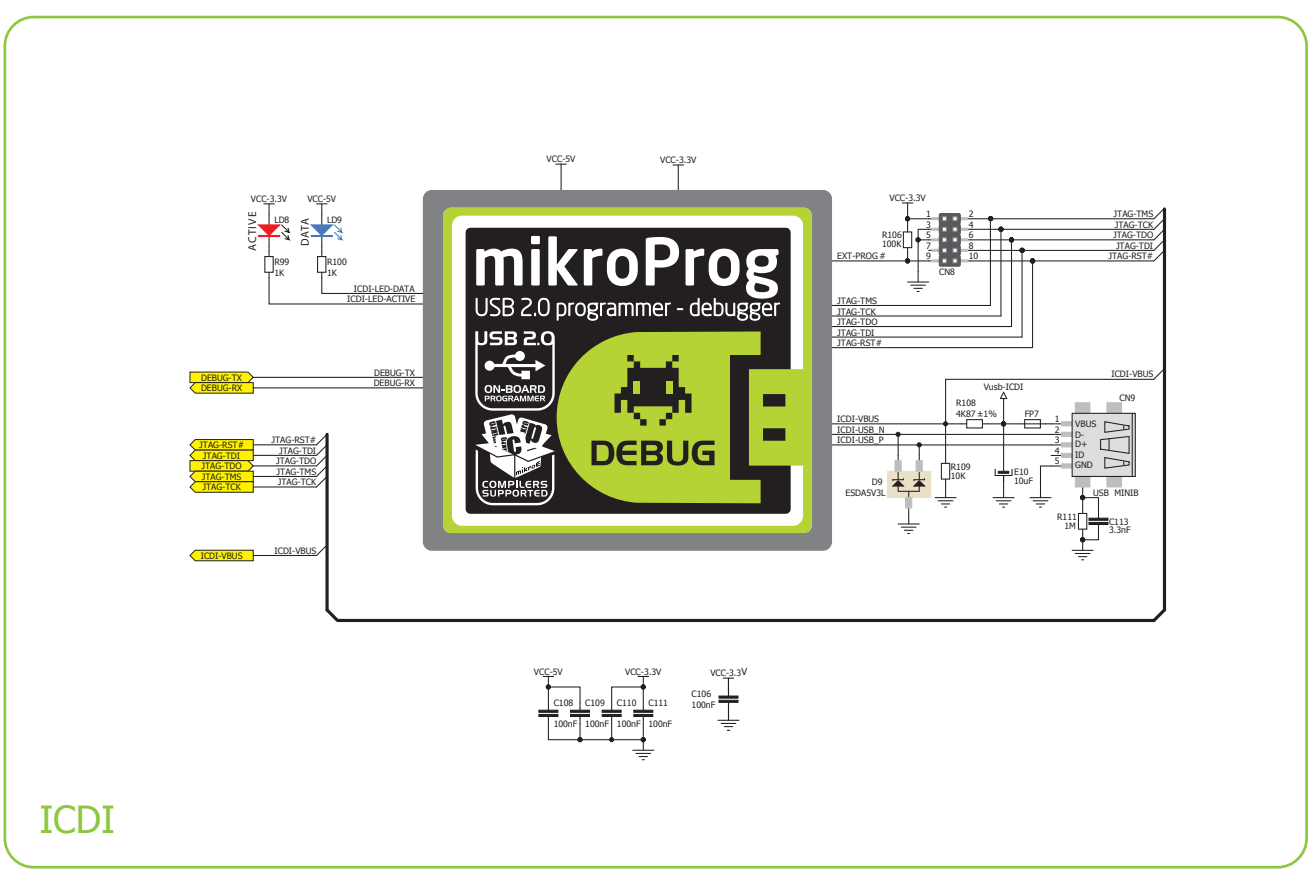
Board PINOUT



microSD



TOUCH SCREEN



ICDI