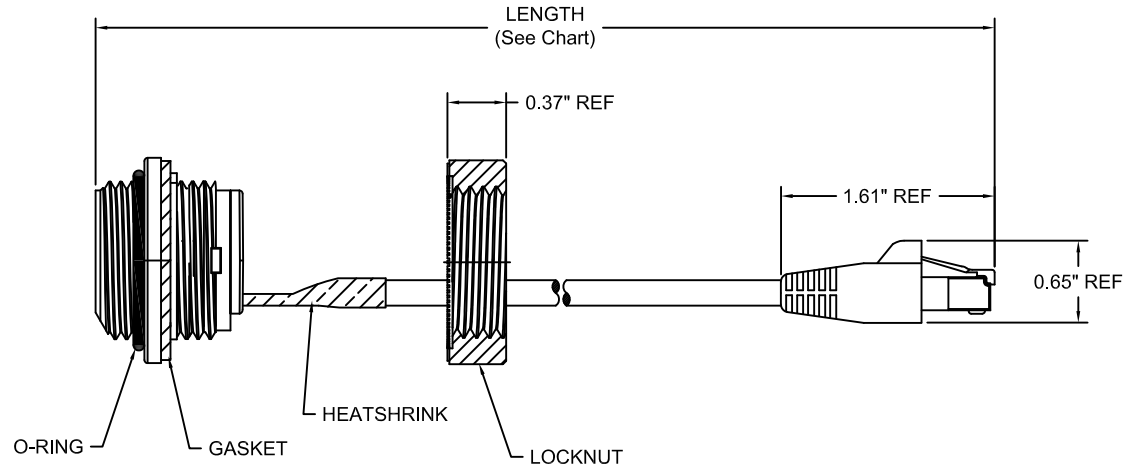
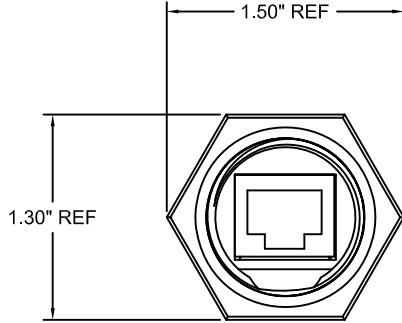
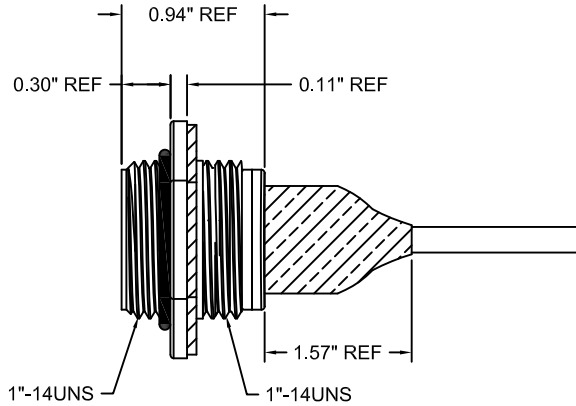
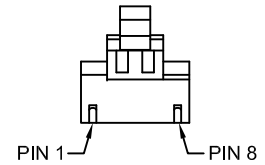


MATERIAL #	ENGINEERING #	LENGTH
1300550013	ENSP3F5C305	305mm (+19.1mm / -0)
1300558003	ENSP3F5C450	450mm (+44.5mm / -0)
1300558005	ENSP3F5C670	670mm (+44.5mm / -0)
1300555002	ENSP3F5M010	1.0M (+55.6mm / -0)

WIRING (568B)	
PIN #	COLOR
1	WHITE/ORANGE
2	ORANGE
3	WHITE/GREEN
4	BLUE
5	WHITE/BLUE
6	GREEN
7	WHITE/BROWN
8	BROWN
GND	DRAIN WIRE

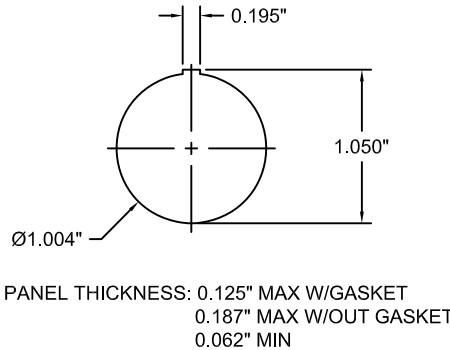


FRONT VIEW RJ45



SPECS:
HOUSING: ABS - BLACK
LOCKNUT: ABS - BLACK
GASKET: NITRILE - BLACK
O-RING: VITON - BROWN
RJ45 PLUG: POLYCARBONATE - CLEAR
RJ45 BOOT: POLYOLEFIN - BLACK
CABLE: 24AWG SOLID CONDUCTORS
4 TWISTED PAIRS
FOIL SHIELD W/ DRAIN WIRE
BLACK PUR JACKET
TIA/EIA RATING: CAT5E
ELECTRICAL: 125V DC, 1.5A
TEMPERATURE: -20°C to 80°C
PROTECTION: IP67

PANEL KNOCKOUT



REFERENCE
USE ONLY

DESCRIPTION REV	GENERAL TOLERANCES (UNLESS SPECIFIED)		DIMENSION STYLE	SCALE	DESIGN UNITS	THIRD ANGLE PROJECTION
		mm	INCH	DRAWN BY	DATE	TITLE
	4 PLACES			RB	09/16/2010	BRAD CONNECTIVITY
	3 PLACES			CHECKED BY	DATE	INDUSTRIAL ETHERNET RJ-LNxx
2 PLACES			APPROVED BY	DATE	PANEL RECEPTACLE / MALE RJ45	MOLEX INCORPORATED
1 PLACE						
DRAFT WHERE APPLICABLE MUST REMAIN WITHIN DIMENSIONS			MATERIAL NO.	DOCUMENT	SHEET NO.	
			SEE CHART	ENSP3F5XXXX	1 OF 1	
			SIZE C	THIS DRAWING CONTAINS INFORMATION THAT IS PROPRIETARY TO MOLEX INCORPORATED AND SHOULD NOT BE USED WITHOUT WRITTEN PERMISSION		

Mouser Electronics

Authorized Distributor

Click to View Pricing, Inventory, Delivery & Lifecycle Information:

[Molex:](#)

[1300550013](#)