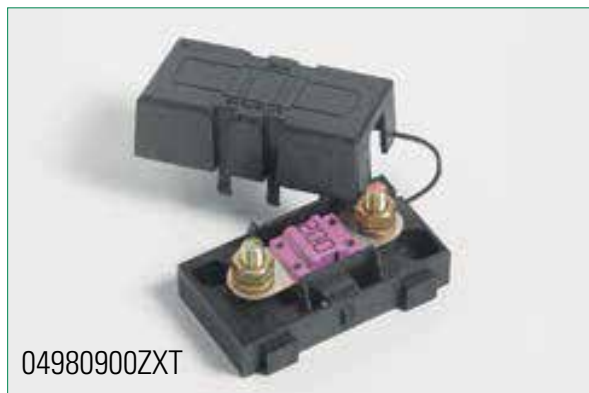


# FUSE HOLDER FOR MIDI®/BF1 STYLE FUSE

RoHS



04980900ZXT



04980903ZXT

## Description

Use with BF1 /MIDI® fuses up to 200A. Includes protective cover. Features interconnecting pins on side of fuse block for secure multiple block configurations. Includes M5 threaded studs and hex nuts with lock washers. Fuse not included.

## Ratings

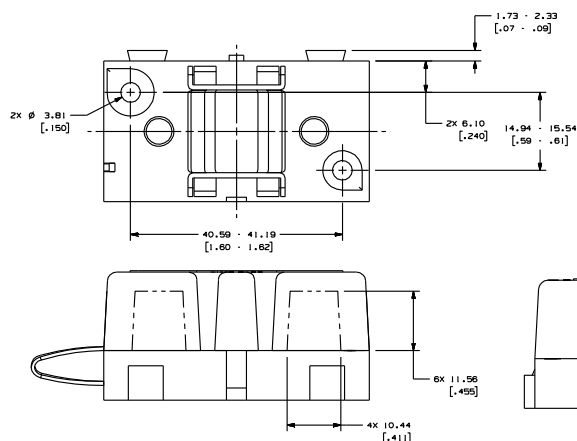
Part Number	Description	Fuse Rating
04980900ZXT	330 pcs.	200 A
04980903ZXT	Holder with mounting brackets - 264 pcs.	200 A

Corresponding fuses see Section "Bolt-Down Fuses."

## Dimensions

Dimensions in mm

### 04980900ZXT



### 04980903ZXT

