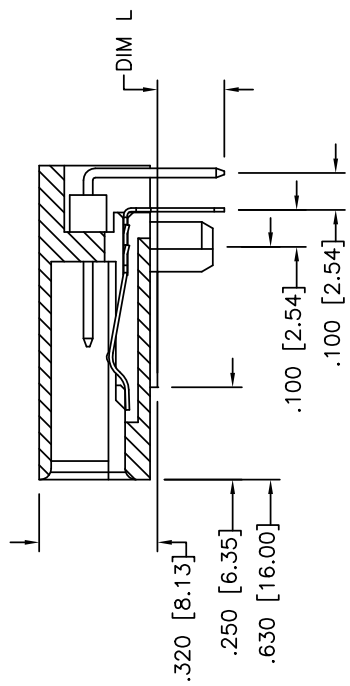
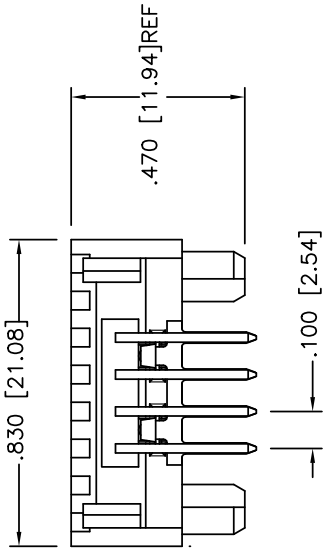
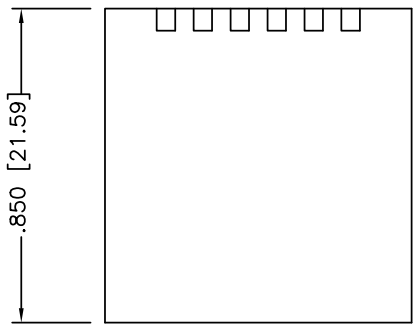


PRODUCT NUMBER
SEE TABLE



mat'l. code		surface		tolerance		projection		product family	
ISD 1302		ISD 406		ISD 1101		ASME Y14.5		LATCH-N-LOK	
tr.ecn n°dr		date		tolerances unless otherwise specified		title		1X4 LNL RT ANGLE HEADER ASSEMBLY	
K BX-H-00848 ZK		11/29/11		.0010 / .0013		INCH/MM		69273	
E M05-0033		ERE 2/25/05		.0010 / .0013		scale 2:1		sheet 1 of 2	
F M05-0052		MHT 3/16/05		.0010 / .0013		J. LINN		69273	
G M06-0285		AGS 7/28/06		.0010 / .0013		D. HORCHLER		Product Customer Drawing	
H M06-0365		AGS 9/20/06		.0010 / .0013		D. HORCHLER		A3	
J M09-0048		MHT 3/12/09		.0010 / .0013		D. HORCHLER		A3	
sheet revision		K		K		K		A3	
index		sheet 1		2		2		A3	



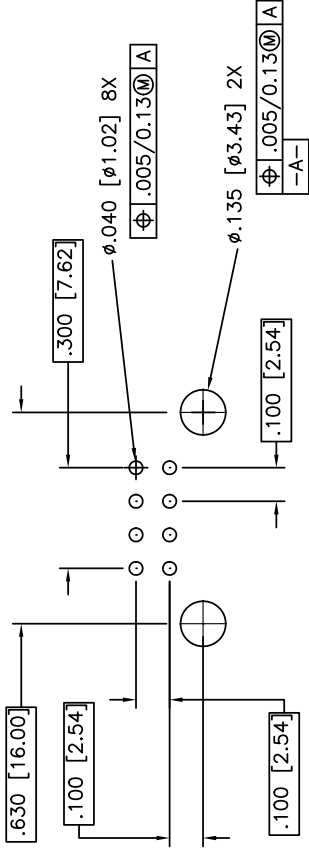
69273-XXXXLF

LEAD FREE OPTION (6) (7)

	COLOR (4)
1	70343 LT GRAY
2	80166 OFF WHITE
3	70634 DK GRAY
4	701 BLACK
5	70541 SLATE GRAY
7	70455 SILVER GRAY
8	80189 PEARL WHITE
9	70419 PEBBLE GRAY

	PLATING (3)
0	30u" MIN OVER 50u" MIN Ni
3	30u" MIN OVER 50u" MIN Ni
5	50u" MIN OVER 50u" MIN Ni

PIN LENGTH	DIM L
0	.150/3.81
1	.110/2.79



RECOMMENDED PCB LAYOUT

- NOTES:
- HEADER SHROUD
MAT'L: HIGH TEMPERATURE THERMOPLASTIC.
UL-94V-0 RATED.
 - GROUND CONTACT
MAT'L: COPPER ALLOY
PLATING: 100-150u"/2.54-4.06u TIN.
 - SIGNAL CONTACT
MAT'L: COPPER ALLOY
PLATING: PERFORMANCE PLATING WILL BE EITHER GOLD OR GXT ON CONTACT AREA OR TAIL, OPTIONALLY (78-295u") TIN ON TAIL.
NUMBERS SHOWN ARE FOR G.E. LEXAN AND ARE FOR REFERENCE ONLY.
 - THIS ASSEMBLY U.L. APPROVED PER FILE E66906 VOL. 1, SEC 84 AND CSA APPROVED PER MASTER FILE LR 46923
 - ADD LF SUFFIX AT THE END OF PART NUMBER FOR LEAD FREE OPTION. THE HOUSING WILL WITHSTAND EXPOSURE TO 260°C PEAK TEMPERATURE FOR 15 SECONDS IN A WAVE SOLDER APPLICATION WITH A 1.5mm MINIMUM THICK CIRCUIT BOARD. SEE APPLICATION NOTES/PROCEDURES IF THEY ARE AVAILABLE.
 - THIS PRODUCT MEETS EUROPEAN UNION DIRECTIVES AND OTHER COUNTRY REGULATION AS DESCRIBED IN GS-22-008.
 - PRODUCT SPEC: GS-12-003

mat'l. code	surface	tolerance	projection	product family
ISD 1302	ISO 406	ISO 101	LATCH-N-LOK	
trlec nqdr	date	angles	linea	INCH/MM
K		tolerances unless otherwise specified	scale 2:1	
		0 ±2'	J. LINN	7/17/90
			eng'D. HORCHLER	7/17/90
			chr'D. HORCHLER	7/17/90
			app'd. HORCHLER	7/17/90
sheet	revision			
index	sheet			

dwg no	sheet 2 of 2	size
69273	A3	
type	Product	Customer Drawing