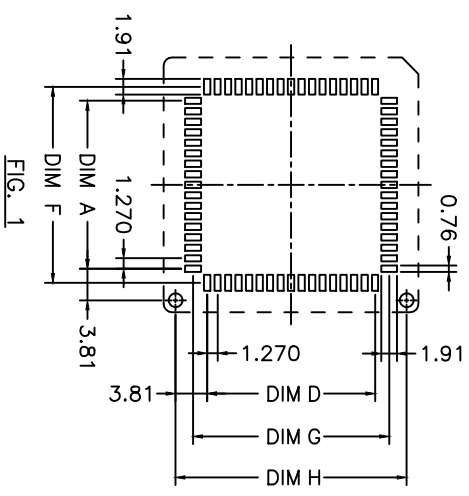
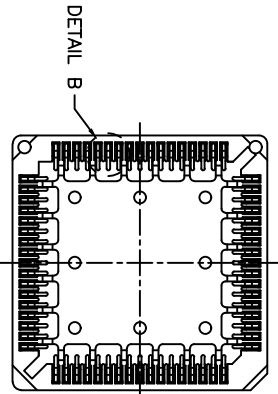
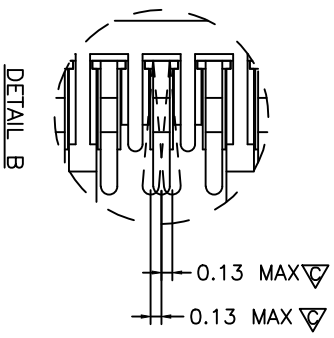
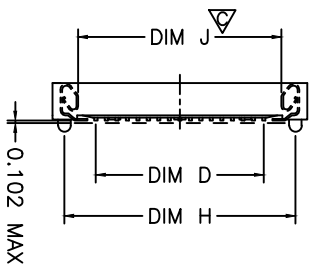
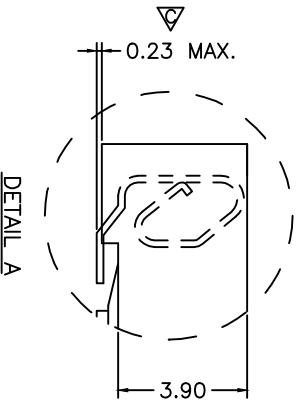
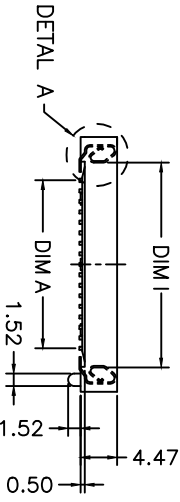
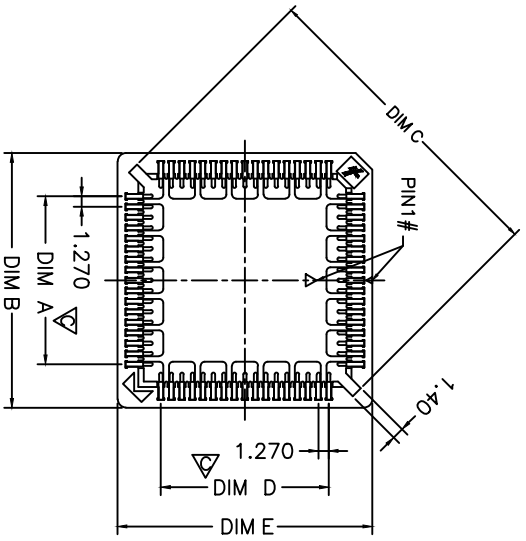




Copyright FCI.



NOTE: DIMENSIONAL MARK ∇ TO BE CHECKED BY OQC.

Rev	ecr no	Dr	date
AG	ELX-T-20939 SAL	Eng Jason Hsu	5/21/15
-	-	Appr S Aloisius	-
AB	T05-0017	JH	1/24/05
AC	T05-0114	JH	5/9/05
AD	T05-0212	JH	9/21/05
AE	T06-0070	JH	5/9/06
AF	T11-0002	JH	1/11/11

www.fciconnect.com		surface std		tolerance		std		projection		MM	
Dr	Jason Hsu	1/11/11	ANGULAR	0X	±0.25	size	A4	Scale	N/A		
Eng	Jason Hsu	1/11/11	LINEAR	0XX	±0.15	size	A4	Scale	N/A		
Appr	S Aloisius	5/21/15	Product family	0XXX	±0.10	ECN	ELX-T-20939	Rev.	AG		
Appr	Blju K Paul	5/21/15	Product family	0XXX	±0.10	ECN	ELX-T-20939	Rev.	AG		
PLCC SMT Socket			CUSTOMER			69802			sheet 1 of 5		

TABLE I

NO. OF CONTACTS	DIM. A ±0.20	DIM. B ±0.20	DIM. C ±0.20	DIM. D ±0.20	DIM. E MAX.	DIM. F ±0.10	DIM. G ±0.10	DIM. H ±0.20	DIM. I ±0.20	DIM. J ±0.20
32	7.62	17.78	22.50	10.16	20.32	11.02	13.56	17.78	11.94	14.48
44	12.70	22.86	27.50	12.70	22.86	16.10	16.10	20.32		17.02

TABLE II

PART NO.	WITH POLARIZING PEGS	PACKAGING BY PVC TUBE	PACKAGING BY TAPE & REEL	MCK PART NO.
69802-0XXLF	✓	✓		PLCC-XXP-T-SMT-P-LF
69802-1XXLF		✓		PLCC-XXP-T-SMT-LF
69802-4XXLF			✓	PLCC-XXP-T-SMT-TR-LF

NOTE:
 ORDERING DATA: 69802 - X XX LF
 LEAD FREE
 NO OF CONTACTS
 SEE TABLE II



Copyright FCI.

www.fciconnect.com		surface - ✓ tolerance std		projection		MM	
TOLERANCES UNLESS OTHERWISE SPECIFIED		ANGULAR		LINEAR		size	
Dp	JASON HSU	1/11/11	0X	±0.25	A4	Scale	N/A
Eng	JASON HSU	1/11/11	0XX	±0.15	ECN	ELX-T-20939	
Chp	S ALOSILUS	5/21/15	0XXX	±0.10	Spec ref		
Appr	BJJU K PAUL	5/21/15	Product family				
PLCC SMT Socket		CUSTOMER		69802		Rev. AG	
catalog no		-		sheet 2 of 5			

1 2 3 4

NOTES:

1. MATERIAL:
 - 1-1 HOUSING : PPS GB8411,UL94V-0 COLOR IN BROWN.
 - PLATING : 150u" LEAD FREE TIN MIN. OVER 40u" NICKEL MIN.
 - CONTACT : PHOSPHOR BRONZE C5212RH.
2. THE "FCI" LOGO IS LOCATED AS SHOWN.
3. RECOMMEND PCB LAYOUT IS SHOWN IN FIG.1.
4. COPLANARITY REQUIREMENT:
 - A. CONTACT MUST BE BELOW HOUSING BOTTOM SURFACE WITHIN 0.23MM.
 - B. CONTACT SEATING LINE MUST BE WITHIN 0.102MM.
5. THE POSITION OF PIN#1 IN THE CENTER PAD IS AS SHOWN.
6. THE PACKAGING INFORMATION SHOWS ON SHEET 4 &5.
7. PRODUCT SPECIFICATION; GES-12-158.
8. MANUFACTURING PROCESS COMPATIBILITY: THE HOUSING WILL WITHSTAND EXPOSURE TO 245°C PEAK TEMPERATURE FOR 5 SECOND IN A IR REFLOW APPLICATION.



Copyright FCI.

www.fciconnect.com		surface - <input checked="" type="checkbox"/> tolerance std		projection		MM	
TOLERANCES UNLESS OTHERWISE SPECIFIED		ANGULAR		LINEAR		size	
Dr	Jason Hsu	1/11/11	0X	± 0.25	A4	Scale N/A	
Eng	Jason Hsu	1/11/11	0XX	± 0.15	ECN	ELX-1-20939	
Chg	S Aloisius	5/21/15	0	± 0.10	Spec ref		
Appr	Blju K Paul	5/21/15	Product family				
FCI logo		PLCC SMT Socket		69802		Rev. AG	
catalog no		CUSTOMER		sheet 3 of 5			

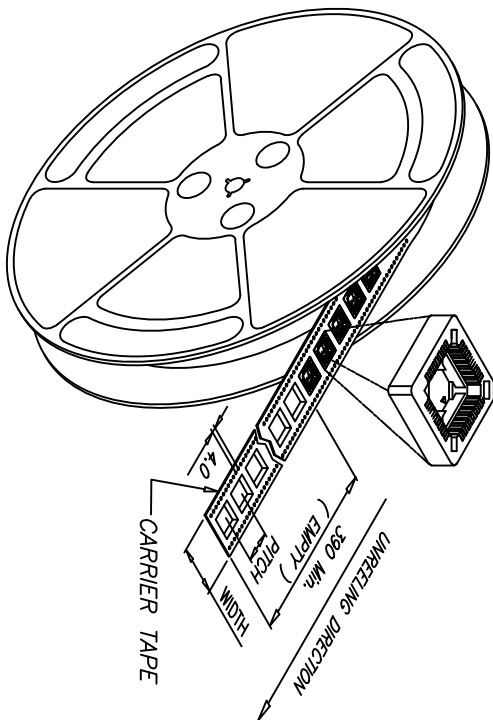
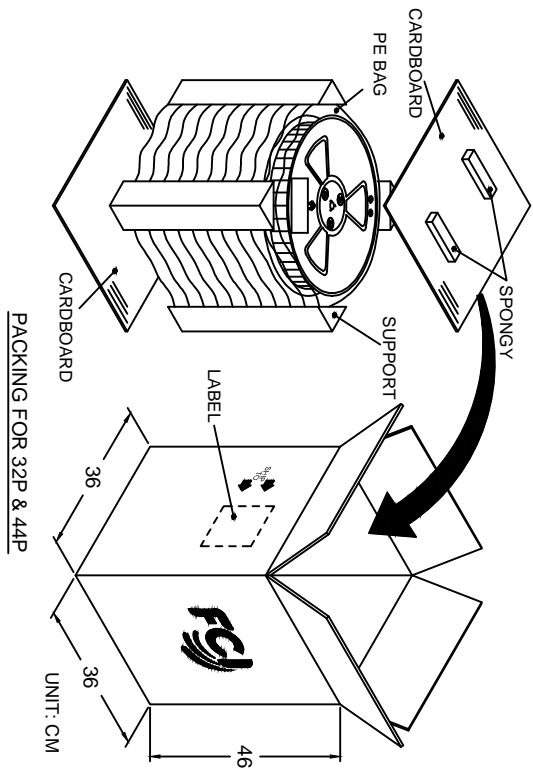


TABLE III

NO. OF PIN.	WIDTH	PITCH	PCS/REEL	REEL/CARTON	TOTAL (PCS)
32P	32.0	24.00	390	10	3900
44P	44.0	32.00	250	8	2000

* REEL DIAMETER: $\varnothing 13$ in"



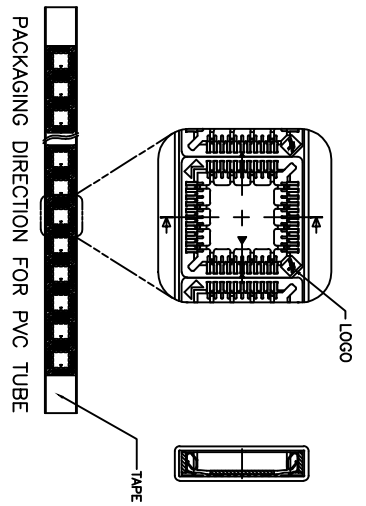
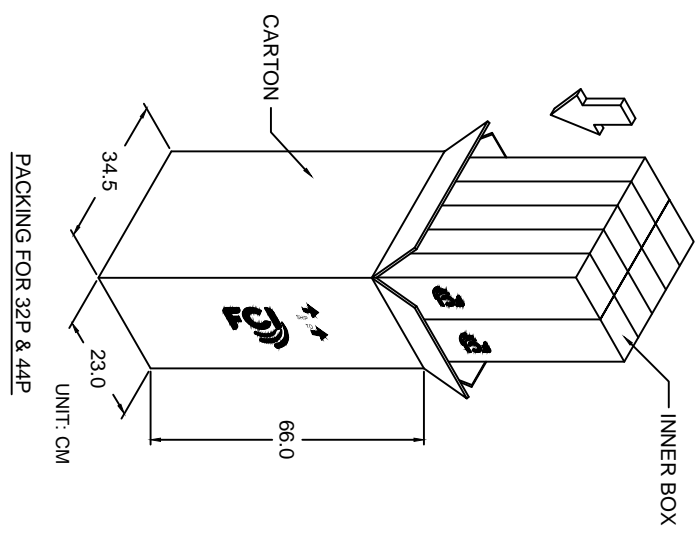
Copyright FCI.

www.fciconnect.com		surface <input checked="" type="checkbox"/> tolerance std		tolerance <input checked="" type="checkbox"/> projection		MM	
TOLERANCES UNLESS OTHERWISE SPECIFIED		ANGULAR		LINEAR		size	
Dp	Jason Hsu	1/11/11	0X	±0.25	A4	Scale N/A	
Eng	Jason Hsu	1/11/11	0XX	±0.15	ECN	ELX-1-20939	
Chk	S Alosius	5/21/15	0XXX	±0.10	Spec ref		
Appr	Bi Ju K Paul	5/21/15	Product family				
PLCC SMT Socket		CUSTOMER		69802		Rev. AG	
catalog no		-		sheet 4 of 5			

1 2 3 4

TABLE IV

A / P PART NO.	69802-X32X	69802-X44X
DESCRIPTION	32P	44P
PCS / TUBE	28	25
PCS / INNER BOX	728	500
INNER BOX / CARTON (WITH SOCKET)	10	10
INNER BOX / CARTON (W / O SOCKET)	0	0
TOTAL (PCS)	7280	5000
N.W.	10.0 KG	8.5 KG
G.W.	18.0 KG	17.0 KG



Copyright FCI.



www.fciconnect.com		surface - <input checked="" type="checkbox"/> tolerance std		projection		MM	
TOLERANCES UNLESS OTHERWISE SPECIFIED		ANGULAR		LINEAR		size	
Dr	JASON HSU	1/11/11	0X	± 0.25	A4	Scale N/A	
Eng	JASON HSU	1/11/11	0XX	± 0.15	ECN	ELX-1-20939	
Chg	S Alosius	5/21/15	0XXX	± 0.10	Spec ref		
Appr	BiJu K Paul	5/21/15	Product family				
FCI logo		PLCC SMT Socket		Customer		69802	
catalog no		-		sheet 5 of 5		Rev. AG	

REV 7 - 2004-07