

Series 80 Mighty Mouse Rotatable Coupling Band-Master™ ATS Thread-On Adapter

440M*135 Straight, 90° and 45° Ordering Information



Accessories



**Band-Master™ ATS Band
Microband 601-061**



**Band-Master™ ATS
Micro Band Tool
601-101**



**Add a boot or overmold
for environmental protection
(Shown without boot)**

These thread-on adapters are used with **Band-Master™ ATS Micro Band** shield termination straps. Choose the smallest cable entry for your wire bundle. **Straight Entry** adapters are available in various lengths. **Straight, 45°** and **90°** adapters feature rotatable coupling nuts.

How To Order

| | | | | | | | |
|---|---|----------|-----------|------------|----------|----------|--|
| Sample Part Number | 440MS135 | M | 07 | 05- | 7 | K | |
| Series (See Table I) | 440MS135 = Straight Entry 440MK135 = 45° Entry 440ML135 = 90° Entry | | | | | | |
| Shell Material and Finish | UCR = Aluminum / Zinc Cobalt Black M = Aluminum / Electroless Nickel NF = Aluminum / Cadmium with Olive Drab ZN = Aluminum / Zinc-Nickel with Olive Drab Chromate ZNU = Aluminum / Zinc-Nickel with Black Chromate MT = Aluminum / Nickel-PTFE Z1 = Stainless Steel / Passivated | | | | | | |
| Size Code (See Table II) | 05, 06, 11, 07, 08, 09, 10, 12, 13, 14, 16, 17 | | | | | | |
| Cable Entry Size (See Table III) | 02-, 03-, 04-, 05-, 06-, 07-, 08-, 09-, 10-, 11-, 12-, 13-, 14- | | | | | | |
| Length | Applies to symbol "S", straight only Length in 1/8 (3.18mm) inch increments (i.e. 7 = .875 inches) | | | | | | |
| Band Option | K = Pre-coiled Band Supplied (600-057-1) = Band Supplied (600-057) Omit for no band supplied | | | | | | |
| Lace-Tie Option | T = Lace-Tie Omit for no lace-tie option | | | | | | |



Table I: Cover Style

| | | |
|-----------------------------------|------------------------------|------------------------------|
| | | |
| 440MS135 Straight Entry | 440MK135 45° Entry | 440ML135 90° Entry |

NOTES

- Standard Minimum Length is .75. applies to symbol "S" straight only.
- Consult factory for larger cable entries dimensions C, D, E & F may be exceeded.

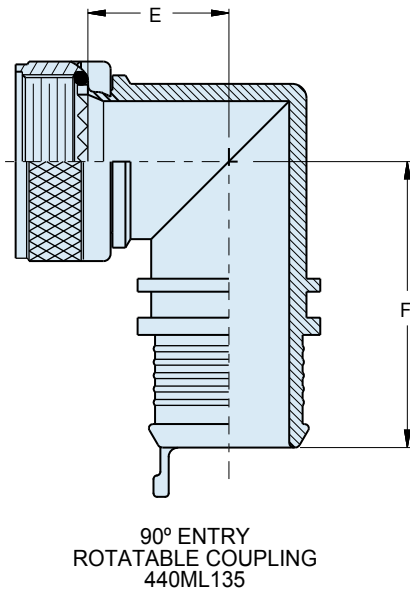
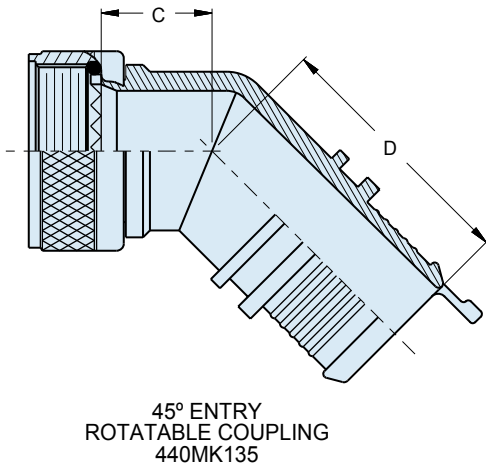
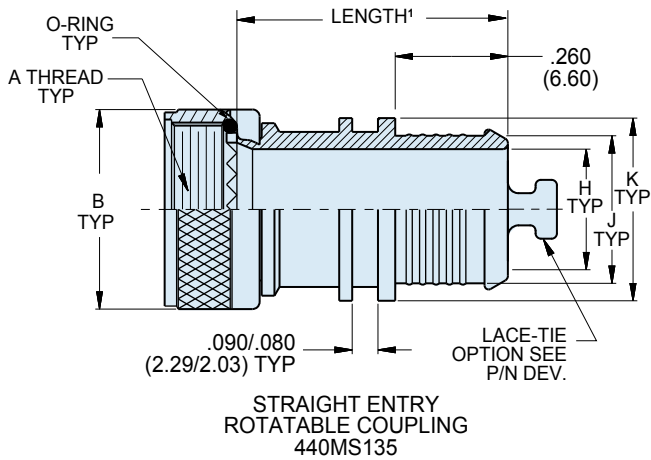
Materials

- Coupling nut, Adapter: aluminum alloy or 300 series SST
- Band: 300 series SST
- O-ring: silicone elastomer

Dimensions in Inches (millimeters) are subject to change without notice.



Series 80 Mighty Mouse Rotatable Coupling Band-Master™ ATS Adapter 440MS135, 440MK135 and 440ML135 Dimensions



| Size Code | A Threads | Shell Size | | Max Cable Entry Code² |
|-----------|-------------------|---------------------------|------------|-----------------------|
| | | Series 800, 801, 803, 804 | Series 805 | |
| 05 | .2500-32 UNEF-2B | 5 | N/A | 03 |
| 06 | .3125-32 UNEF-2B | 6 | N/A | 04 |
| 11 | .375-32 UNEF-2B | N/A | 8 | 04 |
| 07 | .4375-28 UNEF-2B | 7 | 9 | 06 |
| 08 | .5000-28 UNEF-2B | 8 | 10 | 07 |
| 09 | .5625-24 UNEF-2B | 9 | 11 | 08 |
| 10 | .6250-24 UNEF-2B | 10 | 12 | 09 |
| 12 | .6875-24 UNEF-2B | 11, 12, 13 | 13 | 10 |
| 13 | .750-20 UNEF-2B | N/A | 15 | 10 |
| 14 | .9375-20 UNEF-2B | 14, 15, 16, 17 | 18, 19 | 14 |
| 16 | 1.0625-18 UNEF-2B | 19 | 21 | 15 |
| 17 | 1.1875-18 UNEF-2B | 21 | 23 | 16 |

| Size Code | B Max. | | C Max. | | D Max. | | E Max. | | F Max. | |
|-----------|--------|-------|--------|-------|--------|-------|--------|-------|--------|-------|
| | In. | mm. | In. | mm. | In. | mm. | In. | mm. | In. | mm. |
| 05 | .470 | 11.94 | .530 | 13.46 | .660 | 16.76 | .630 | 16.00 | .780 | 19.81 |
| 06 | .530 | 13.46 | .550 | 13.97 | .670 | 17.02 | .660 | 16.76 | .790 | 20.27 |
| 11 | .570 | 14.48 | .560 | 14.22 | .680 | 17.27 | .680 | 17.27 | .810 | 20.57 |
| 07 | .637 | 16.18 | .570 | 14.48 | .690 | 17.53 | .700 | 17.78 | .830 | 21.08 |
| 08 | .700 | 17.78 | .580 | 14.73 | .700 | 17.78 | .740 | 18.80 | .860 | 21.84 |
| 09 | .758 | 19.25 | .590 | 14.99 | .710 | 18.03 | .770 | 19.56 | .890 | 22.61 |
| 10 | .819 | 20.80 | .610 | 15.49 | .730 | 18.54 | .800 | 20.32 | .920 | 23.37 |
| 12 | .896 | 22.76 | .640 | 16.26 | .750 | 19.05 | .840 | 21.34 | .970 | 24.64 |
| 13 | .930 | 23.62 | .660 | 16.76 | .770 | 19.56 | .890 | 22.60 | 1.020 | 25.91 |
| 14 | 1.137 | 28.88 | .690 | 17.53 | .800 | 20.32 | .950 | 24.13 | 1.090 | 27.69 |
| 16 | 1.230 | 31.24 | .710 | 18.03 | .820 | 20.82 | .980 | 24.89 | 1.130 | 28.70 |
| 17 | 1.387 | 35.23 | .720 | 18.29 | .830 | 21.08 | 1.010 | 25.65 | 1.160 | 29.46 |

| Cable Entry Code | Ø H | | Ø J | | Ø K | |
|------------------|--------|--------|--------|--------|--------|--------|
| | In. | mm. | In. | mm. | In. | mm. |
| | ± .015 | ± 0.38 | ± .015 | ± 0.38 | ± .015 | ± 0.38 |
| 02 | .125 | 3.18 | .164 | 4.17 | .266 | 6.76 |
| 03 | .188 | 4.78 | .227 | 5.77 | .329 | 8.36 |
| 04 | .250 | 6.35 | .289 | 7.34 | .391 | 9.93 |
| 05 | .312 | 7.92 | .351 | 8.92 | .453 | 11.51 |
| 06 | .375 | 9.53 | .414 | 10.52 | .516 | 13.11 |
| 07 | .438 | 11.13 | .477 | 12.12 | .579 | 14.71 |
| 08 | .500 | 12.70 | .539 | 13.69 | .641 | 16.28 |
| 09 | .562 | 14.27 | .601 | 15.27 | .703 | 17.86 |
| 10 | .625 | 15.88 | .664 | 16.87 | .766 | 19.46 |
| 11 | .688 | 17.48 | .727 | 18.47 | .829 | 21.06 |
| 12 | .750 | 19.05 | .789 | 20.04 | .891 | 22.63 |
| 13 | .812 | 20.62 | .851 | 21.62 | .953 | 24.21 |
| 14 | .875 | 22.23 | .914 | 23.22 | 1.016 | 25.81 |
| 15 | .938 | 23.83 | .977 | 24.82 | 1.079 | 27.41 |
| 16 | 1.00 | 25.4 | 1.039 | 26.39 | 1.141 | 28.98 |

Dimensions in Inches (millimeters) are subject to change without notice.