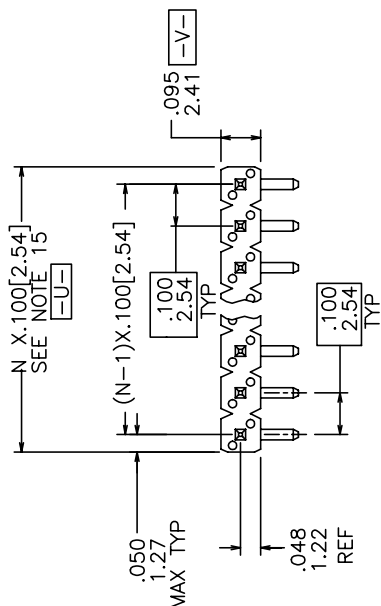
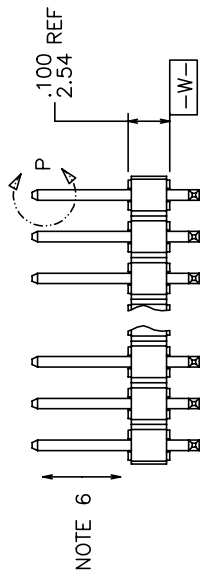


PRODUCT NUMBER  
XXXXX-XXX HTLF

- LEAD FREE OPTION SEE NOTE 1,8
- TUBE PACKAGING OPTION SEE NOTE 1
- HIGH TEMPERATURE PLASTIC SEE NOTE 1
- NO OF POSITIONS SEE NOTE 1
- PIN PLATING SEE SHEET 2
- BASE PART NO.



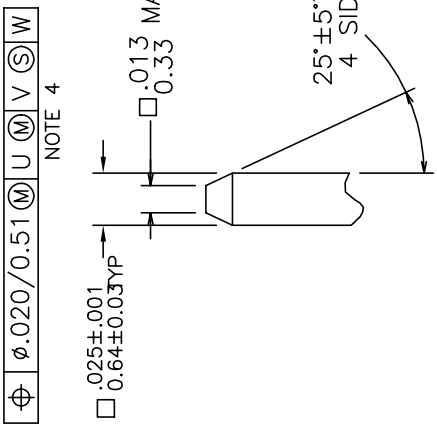
TOP VIEW



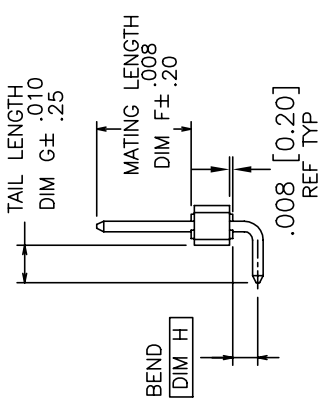
SIDE VIEW

68015-X XX-XXX XXX LF

- TAIL LENGTH (EXAMPLE BELOW)  
3.0mm=030 12.8mm=128 (SEE NOTE 11 & 12)
- MATING LENGTH (EXAMPLE BELOW)  
5.0mm=050 25.5mm=255 (SEE NOTE 11 & 12)
- TOTAL NUMBER OF POSITION  
FROM 1 THRU 36 POS. (SEE NOTE 1)
- PIN PLATING (SEE NOTE 13)  
1=0.76µm Au  
4= PURE TIN  
8=0.36µm Au
- BASE PART NO.  
SINGLE ROW RIGHT ANGLE



DETAIL P  
TYP BOTH ENDS



END VIEW

mat'l. code	surface	tolerance	projection	product family	
SEE NOTES 2 & 3	ISO 1302	ISO 406	ASME Y14.5	BERGSTIK	
tr/elect n°/dr	date	tolerances unless otherwise specified	INCH/MM	title	
BB BX-N-16105 ZK	10/22/13	XX±.01/XX±.03	scale 2:1	BERGSTIK® II HEADER	
BC BX-N-16356 ZK	11/25/13	XX±.01/XX±.03		.100/2.54cc SR R/A	
AV IM08-0169 MHT	6/16/08	XX±.01/XX±.03		dwg no 68015	
AW IM08-0267 MHT	9/25/08	XX±.01/XX±.03		sheet 1 of 4	
AX IM08-0331 MHT	12/01/08	XX±.01/XX±.03		A3	
BA IM11-0118 JZ	04/11/11	XX±.01/XX±.03		Product Customer Drawing	
sheet	revisio	dr	BC		
index	sheet	1	2	3	4



PRODUCT NUMBER	MATING LENGTH		TAIL LENGTH		BEND DIM		PACKAGING	LF OPTION
	DIM F	METRIC	DIM G	METRIC	DIM H	METRIC		
68015-XY	0.230	5.84	0.090	2.29	0.060	1.52	POLY BAGS/TUBES	NOTE 1,8
68016-XY	0.230	5.84	0.120	3.05	0.060	1.52	POLY BAGS/TUBES	
68023-XY	0.135	3.43	0.305	7.75	0.135	3.43	POLY BAGS	
68417-XY	0.230	5.84	0.390	9.91	0.060	1.52	POLY BAGS	
68423-XY	0.318	8.08	0.120	3.05	0.060	1.52	POLY BAGS/TUBES	
68458-XY	0.318	8.08	0.110	2.79	0.060	1.52	POLY BAGS	
68461-XY	0.400	10.16	0.320	8.13	0.260	6.60	POLY BAGS	
68468-XY	0.230	5.84	0.195	4.95	0.160	4.06	POLY BAGS	OB
68488-XY	0.230	5.84	0.180	4.57	0.060	1.52	POLY BAGS	
68494-XY	0.400	10.16	0.110	2.79	0.060	1.52	POLY BAGS	OB
68498-XY	0.230	5.84	0.220	5.59	0.160	4.06	POLY BAGS	
68626-XY	0.230	5.84	0.295	7.49	0.060	1.52	POLY BAGS	
68627-XY	0.120	3.05	0.185	4.70	0.150	3.81	POLY BAGS	OB
68628-XY	0.230	5.84	0.590	14.99	0.060	1.52	POLY BAGS	OB
68641-XY	0.230	5.84	0.490	12.45	0.060	1.52	POLY BAGS	OB
68660-XY	0.110	2.79	0.230	5.84	0.135	3.43	POLY BAGS	OB
68694-XY	0.600	15.24	0.120	3.05	0.060	1.52	POLY BAGS	OB
68757-XY	0.350	8.89	0.220	5.59	0.100	2.54	POLY BAGS	OB
68758-XY	0.275	6.99	0.120	3.05	0.060	1.52	POLY BAGS	
68764-XY	0.100	2.54	0.120	3.05	0.060	1.52	POLY BAGS	
68782-XY	0.318	8.08	0.180	4.57	0.060	1.52	POLY BAGS	OB
68798-XY	0.110	2.79	0.230	5.84	0.160	4.06	POLY BAGS	NOTE 1,8
69189-XY	0.310	7.87	0.250	6.35	0.060	1.52	POLY BAGS	OB
71270-XY	0.600	15.24	0.189	4.80	0.060	1.52	POLY BAGS	OB
72342-XY	0.120	3.05	0.250	6.35	0.060	1.52	POLY BAGS	OB
78230-XY	0.310	7.87	0.330	8.38	0.060	1.52	POLY BAGS	OB
78231-XY	0.310	7.87	0.290	7.37	0.060	1.52	POLY BAGS	OB

mat'l. code	surface	tolerance	projection	product family
SEE NOTES 2 & 3	ISO 1302	ISO 406	1st angle	BERGSTIK
tr/ecn n°dr date	tolerances unless otherwise specified	linear	INCH/MM	title
BC	angles	XXX.XXX/XXX.001	scale 2:1	BERGSTIK® II HEADER
	0°±2'	T.BREWBAKER 01/31/95		.100/2.54cc SR R/A
	dr	T.HANNA 01/31/95		dwg no 68015
	engr	T.HANNA 01/31/95		sheet:3of4 size A3
	chr	T.HANNA 01/31/95		type Product Customer Drawing
	appd	T.HANNA 01/31/95		
sheet revision				
index sheet				

PRODUCT NUMBER	MATING LENGTH		TAIL LENGTH		BEND DIM		LF OPTION
	DIM F	METRIC	DIM G	METRIC	DIM H	METRIC	
78234-XYX	0.230	5.84	0.140	3.56	0.160	4.06	POLY BAGS - OB
78541-XYX	0.318	8.08	0.080	2.03	0.060	1.52	POLY BAGS - OB
78587-XYX			UNAVAILABLE				
78938-XYX	0.120	3.05	0.120	3.05	0.060	1.52	POLY BAGS NOTE 1,8
78955-XYX	0.075	1.91	0.090	2.29	0.060	1.52	POLY BAGS - OB
78978-XYX	0.120	3.05	0.318	8.08	0.135	3.43	POLY BAGS - OB
79409-XYX			UNAVAILABLE				
84846-XYXH	0.140	3.56	0.290	7.37	0.153	3.89	POLY BAGS - OB
84917-XYXH	0.090	2.29	0.195	4.95	0.190	4.83	POLY BAGS - OB
84935-XYXH	0.450	11.43	0.320	8.13	0.260	6.60	POLY BAGS - OB
84936-XYXH	0.350	8.89	0.120	3.05	0.060	1.52	POLY BAGS - OB
87532-XYXH	0.230	5.84	0.890	22.61	0.060	1.52	POLY BAGS - OB
88813-XYX	0.230	5.84	0.085	2.16	0.060	1.52	POLY BAGS - OB
92050-XYX	0.162	4.11	0.120	3.05	0.060	1.52	POLY BAGS - OB
92632-XYX	0.100	2.54	0.318	8.08	0.060	1.52	POLY BAGS - OB
92909-XYX	0.400	10.16	0.220	5.59	0.060	1.52	POLY BAGS - OB
94099-XYX	0.157	3.99	0.090	2.29	0.060	1.52	POLY BAGS - OB
94529-XYXH	0.120	3.05	0.295	7.49	0.135	3.43	POLY BAGS - OB
94671-XYXH	0.090	2.29	0.085	2.16	0.180	4.57	POLY BAGS - OB
95653-XYXH	0.330	8.38	0.310	7.87	0.160	4.06	POLY BAGS - OB
95666-XYXH	0.230	5.84	0.145	3.68	0.060	1.52	POLY BAGS - OB
10089061-XYX	0.125	3.18	0.318	8.08	0.135	3.43	POLY BAGS - OB

mat'l. code	surface	tolerance	projection	product family
SEE NOTES 2 & 3	ISO 1302	ISO 406	1st angle	BERGSTIK
ltr ecn no	tolerances unless otherwise specified	ISO 1101	ISO 10	BERGSTIK
date	angles	XXL01/XXL03	INCH/MM	title
	line	XXL05/XXH013	scale 2:1	BERGSTIK® II HEADER
	0°±2'	XXX1000/XXX0061		.100/2.54cc SR R/A
	dr	T.BREWBAKER 01/31/95		dwg no sheet 4 of 4 size
	engr	T.HANNA 01/31/95		68015
	chr	T.HANNA 01/31/95		Product Customer Drawing
	appd	T.HANNA 01/31/95		
sheet index	revision			
	sheet			