

# Customer Information Sheet

DRAWING No.: M80-4C1XXXXFC

IF IN DOUBT - ASK

©

NOT TO SCALE

THIRD ANGLE PROJECTION

ALL DIMENSIONS IN mm

**SPECIFICATIONS:**

**MATERIAL:**  
 MOULDING = GLASS-FILLED PPS, UL94V-0, BLACK  
 CONTACT CLIP = BERYLLIUM COPPER  
 CONTACT SHELL = BRASS  
 101-SCREW, COLLAR = STAINLESS STEEL  
 SPRING = MUSIC WIRE

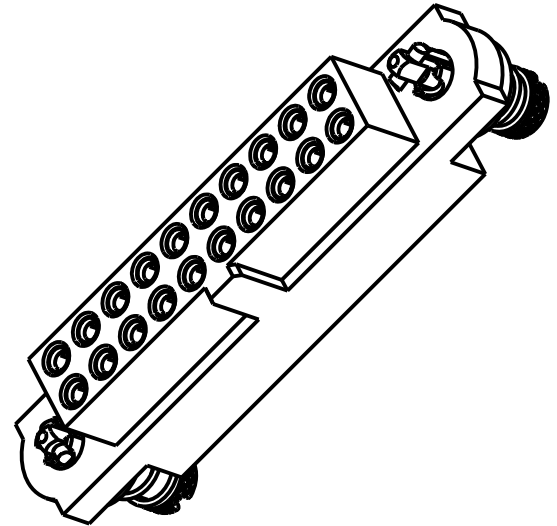
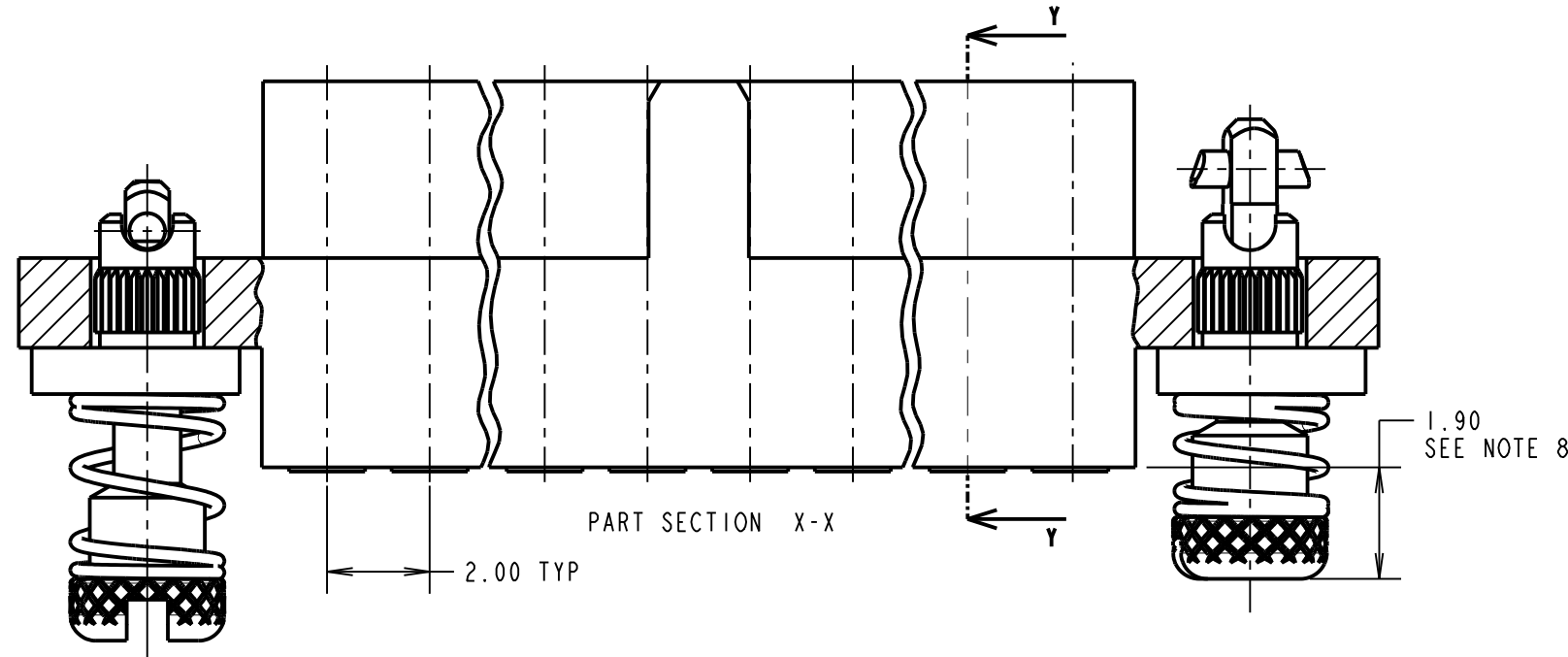
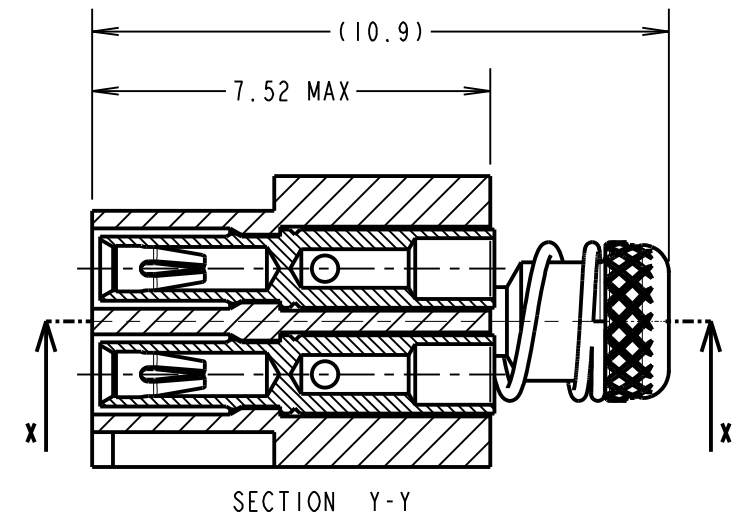
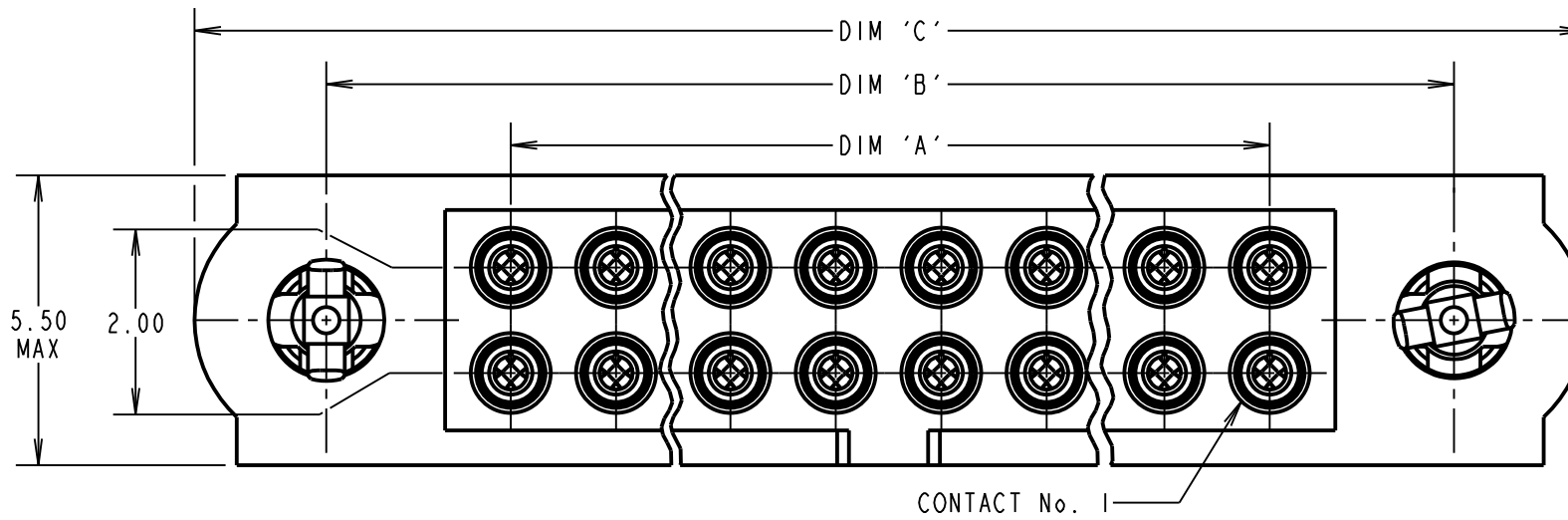
**FINISH:**  
 05 = 0.3µm GOLD CLIP, 0.25-0.3µm GOLD SHELL  
 42 = 0.3µm GOLD CLIP, 3.5-5.0µm 100% TIN  
 OVER NICKEL SHELL  
 05 & 42 = TIN COATED SPRINGS

**ELECTRICAL:**  
 CURRENT RATING AT 25°C = 3.3A MAX  
 CURRENT RATING AT 85°C = 2.6A MAX  
 WORKING VOLTAGE = 800V AC/DC  
 VOLTAGE PROOF = 1200V AC/DC  
 CONTACT RESISTANCE = 25mΩ MAX  
 INSULATION RESISTANCE = 100MΩ MIN

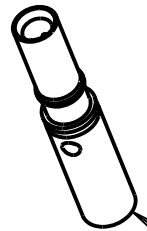
**MECHANICAL:**  
 INSERTION FORCE (∅0.5mm GAUGE) = 2.0N MAX  
 WITHDRAWAL FORCE (∅0.5mm GAUGE) = 0.2N MIN

**ENVIRONMENTAL:**  
 TEMPERATURE RANGE = -55°C TO +125°C

**PACKING:**  
 LOOSE  
 FOR COMPLETE SPECIFICATION, SEE COMPONENT  
 SPECIFICATION C005XX (LATEST ISSUE)



- NOTES:**
- CONNECTOR IS SUPPLIED WITH CONTACTS LOOSE.
  - FOR EXTRA CONTACTS, USE PART No.'s.  
 M80-0130001 FOR M80-4C1XX42FC  
 M80-0130005 FOR M80-4C1XX05FC
  - RECOMMENDED WIRE TYPE = BS 3G 210 TYPE A,  
 PTFE INSULATED 24-28 AWG. MAX INSULATION  
 DIAMETER = ∅1.10mm, STRIP WIRE BY 2.00mm.
  - RECOMMENDED HAND CRIMP TOOL = M22520/2-01  
 WITH POSITIONER T5747.
  - CONTACT INSERTION & EXTRACTION TOOL = Z80-280
  - INSTRUCTION SHEETS ARE AVAILABLE.
  - SPRING LOAD WHEN SOLID = 2.642N.  
 SPRING RATE = 1.32N/mm.
  - LENGTH WILL BE 1.90mm WHEN 101-SCREWS ARE  
 ENGAGED WITH RETAINERS IN MATING CONNECTOR.



CONTACT: (QTY = TOTAL No. OF CONTACTS)  
 M80-01300XX (SEE NOTE 2)

05 = GOLD CLIP, GOLD SHELL  
 01 = GOLD CLIP, 100% TIN  
 OVER NICKEL SHELL

ORDER CODE:  
**M80-4C1XXXXFC**

TOTAL No. OF CONTACTS  
 04 TO 50  
 (EVEN NUMBERS ONLY)

FINISH CODE  
 05 - GOLD CLIP, GOLD SHELL  
 42 - GOLD CLIP, 100% TIN, OVER NICKEL SHELL

DIMENSION	CALCULATION
DIM 'A'	TOTAL No. OF CONTACTS - 2
DIM 'B'	TOTAL No. OF CONTACTS + 5
DIM 'C'	TOTAL NUMBER CONTACTS + 10

EXAMPLE ORDER CODE 2: CONNECTOR WITH 20 SIGNAL CONTACTS,  
 GOLD CLIP AND 100% TIN SHELL  
**M80-4C12042FC**  
 DIM 'A' = 18.00mm, DIM 'B' = 25.00mm, DIM 'C' = 30.00mm.

RTP	4	16.05.19	21531
NAME	ISS.	DATE	C/NOTE
APPROVED: R.PORTLOCK			
CHECKED: M.RUDKIN			
DRAWN: S.FLOWER			
CUSTOMER REF.:			
ASSEMBLY DRG:			

**HARWIN**

www.harwin.com  
 technical@harwin.com

THIS DRAWING AND ANY  
 INFORMATION OR DESCRIPTIVE  
 MATTER SET OUT HEREON ARE  
 CONFIDENTIAL AND COPYRIGHT  
 PROPERTY OF THE HARWIN  
 GROUP AND MUST NOT BE  
 DISCLOSED, LOANED, COPIED  
 OR USED FOR MANUFACTURING,  
 TENDERING OR FOR ANY  
 OTHER PURPOSE WITHOUT  
 THEIR WRITTEN PERMISSION.

**TOLERANCES**  
 X. = ±1mm  
 X.X = ±0.50mm  
 X.XX = ±0.20mm  
 X.XXX = ±0.01mm  
 ANGLES = ±5°  
 UNLESS STATED

**MATERIAL:**  
 SEE ABOVE  
**FINISH:** SEE ABOVE  
**S/AREA:** mm<sup>2</sup>

**TITLE:** DATAMATE J-TEK  
 FEMALE CRIMP ASSY (SMALL BORE)  
 WITH 101LOK JACKSCREWS  
**DRAWING NUMBER:**  
**M80-4C1XXXXFC**  
 SHT  
 2 OF 2

# Mouser Electronics

Authorized Distributor

Click to View Pricing, Inventory, Delivery & Lifecycle Information:

## Harwin:

[M80-4C10405FC](#) [M80-4C15005FC](#) [M80-4C12605FC](#) [M80-4C11605FC](#) [M80-4C11005FC](#) [M80-4C11442FC](#) [M80-4C10605FC](#) [M80-4C11205FC](#) [M80-4C12005FC](#) [M80-4C11405FC](#) [M80-4C10442FC](#) [M80-4C11042FC](#) [M80-4C11242FC](#) [M80-4C12042FC](#) [M80-4C12642FC](#) [M80-4C13405FC](#) [M80-4C13442FC](#) [M80-4C14205FC](#) [M80-4C14242FC](#) [M80-4C15042FC](#) [M80-4C10642FC](#) [M80-4C10805FC](#) [M80-4C10842FC](#) [M80-4C13005FC](#)  
[M804C13805FC](#)