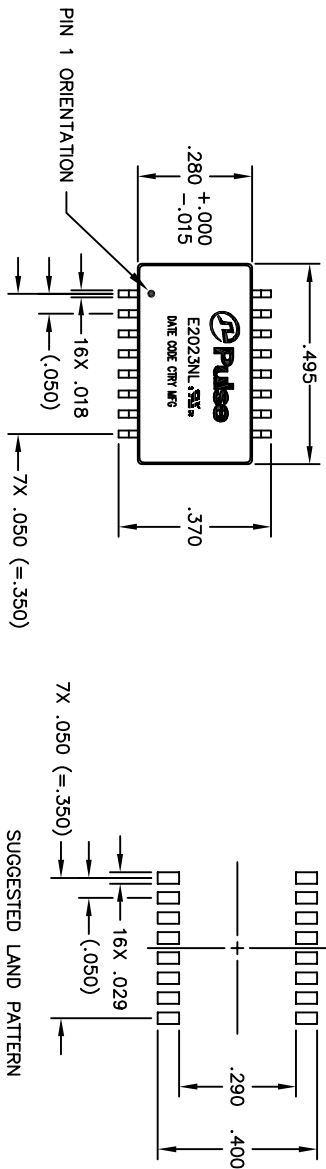
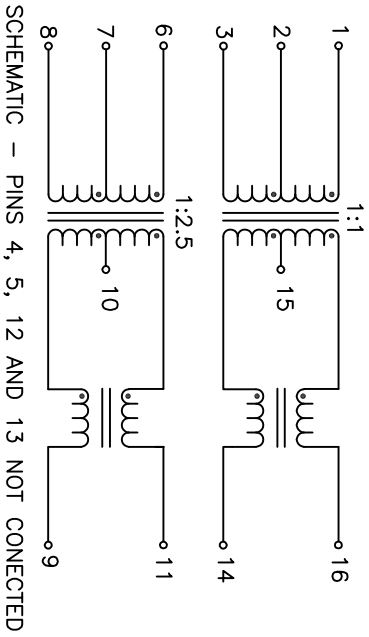


1. ROHS COMPLIANT
2. PLASTIC: THERMOSET PLASTIC MATERIAL WITH FLAMMABILITY RATING UL 94V-0 OR BETTER.
3. SOLDERABILITY: CONFORMS TO ANSI/J-STD-002, 245°C REFLOW PEAK TEMPERATURE PER IPC/EIA J-STD-003A
4. SOLDERABILITY: CONFORMS TO ANSI/J-STD-002, IPC/EIA J-STD-003A.
5. OPERATING TEMPERATURE: 0°C TO +70°C
6. STORAGE TEMPERATURE: -20°C TO +125°C
7. JEDEC MOISTURE: LEVEL 1.
8. DIMENSIONS ARE IN MILLIMETERS WITH THE FOLLOWING TOLERANCES:
.XX = ±.02 .XXX = ±.010



ELECTRICAL CHARACTERISTICS AT +25°C UNLESSWISE OTHERWISE SPECIFIED
(FOR REFERENCE ONLY. USED FOR CUSTOMER INFORMATION.)

PARAMETER	SPECIFICATIONS
OPERATING TEMP	0°C - 70°C
TURNS RATIO	(1-3):(16-14) = 1CT : 1CT ±3% (6-8):(11-9) = 1CT : 2.5CT ±3%
POLARITY	PER SCHEMATIC
INDUCTANCE (OCL)	1-3 = 200 µH MIN AT 100 KHZ, 20 mVRMS 6-8 = 35 µH MIN AT 100 KHZ, 20 mVRMS
LEAKAGE INDUCTANCE	(1-2) = 0.4 µH MAX WITH 14-16 SHORTED (100 KHZ, 20 mV) (6-7) = 0.1 µH MAX WITH 9-11 SHORTED (100 KHZ, 20 mV)
DC RESISTANCE	(1-2) = (2-3) = (6-7) = (7-8) = 0.6 OHM MAX (10-11) = (9-10) = (15-16) = (14-15) = 1.0 OHM MAX
CWW	15 pF MAX AT 100 KHZ, 1 VRMS
COMMON MODE REJECTION	1-30 MHZ 40-100 MHZ
BETWEEN CHANNEL ISOLATION	-50 DB MIN -40 DB MIN 1500 VAC MIN @ 60 SECONDS

© Copyright, 2012. Pulse Electronics Corp. All rights reserved. Drawing specifications subject to change without notice. (08/22/12)

PULSE CONFIDENTIAL & PROPRIETARY	PRODUCT DESCRIPTION	PS DRAWING	SHEET:	DWG. NO. / PART NO.	REV.
	MDL,SIN,10D,1:2.5,SM,TU	PS-0009.001-F	1	E2023NL	M16