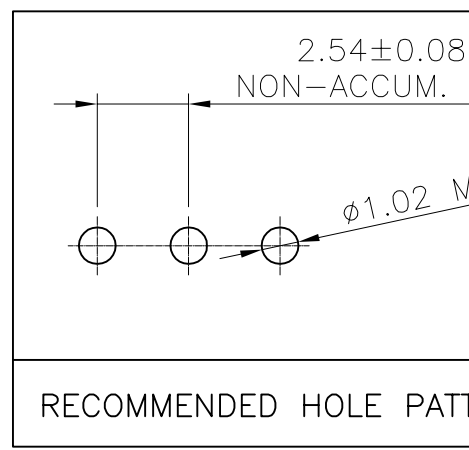
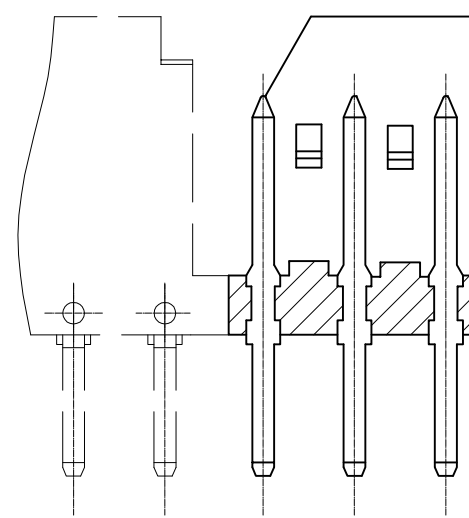
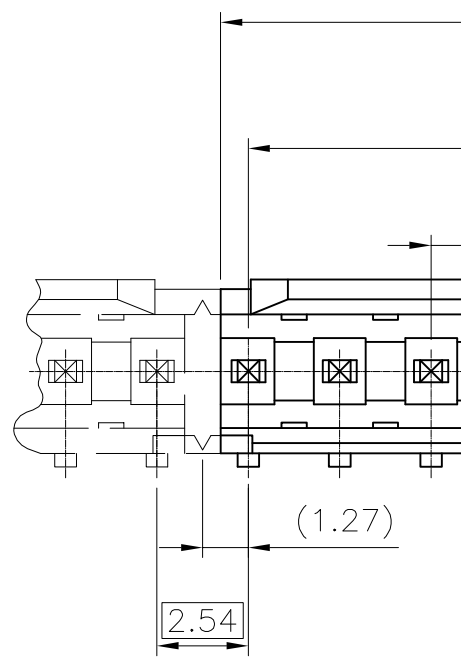


PRODUCT NUMBER
SEE SHEET 2

NOTES :

1. MINI PUSH-OUT FORCE TERMINAL IN BOTH DIRECTIONS 22N.
2. TO DETERMINE DIMENSIONS:
N = NUMBER OF POSITIONS PER ROW
EXAMPLE: 8 POS: $(N \times 2.54) - 1 = 19.32$ mm



FCIconnect.com

Copyright FCI

1

2 3

STANDARD PRODUCT NUMBER

76384-YXX

PLATING CODE _____ NUMBER OF POSITIONS: 02 TO 18.

3= 0.76µm GOLD/GXT ON CONTACT AREA.

3.81µm TIN-LEAD ON TAIL OVER 1.27µm Ni MIN.

4= 3.81µm TIN LEAD OVER 1.27µm Ni MIN

A

NOTES:

- 1 - HOUSING MAT'L: THERMOPLASTIC GLASS FILLED
FLAME RETARDANT PER UL 94 V-0 COLOR: BLUE.
- 2 - TERMINAL MATERIAL: COPPER ALLOY.
- 3 - 2 UP TO 6 POSITIONS, PRODUCT PACKED IN PLASTIC BAG.
7 UP TO 18 POSITIONS, PRODUCT PACKED IN TUBE.
- 4 - ONLY DASH NUMBER -X02 AND -X03
ALWAYS TEN (10) PRODUCTS MOLDED ASSEMBLY
& DELIVERY TOGETHER ACCORDING PHANTOM LINES.

B



FCIconnect.com

C

Copyright FCI

D

PL
3=
4=