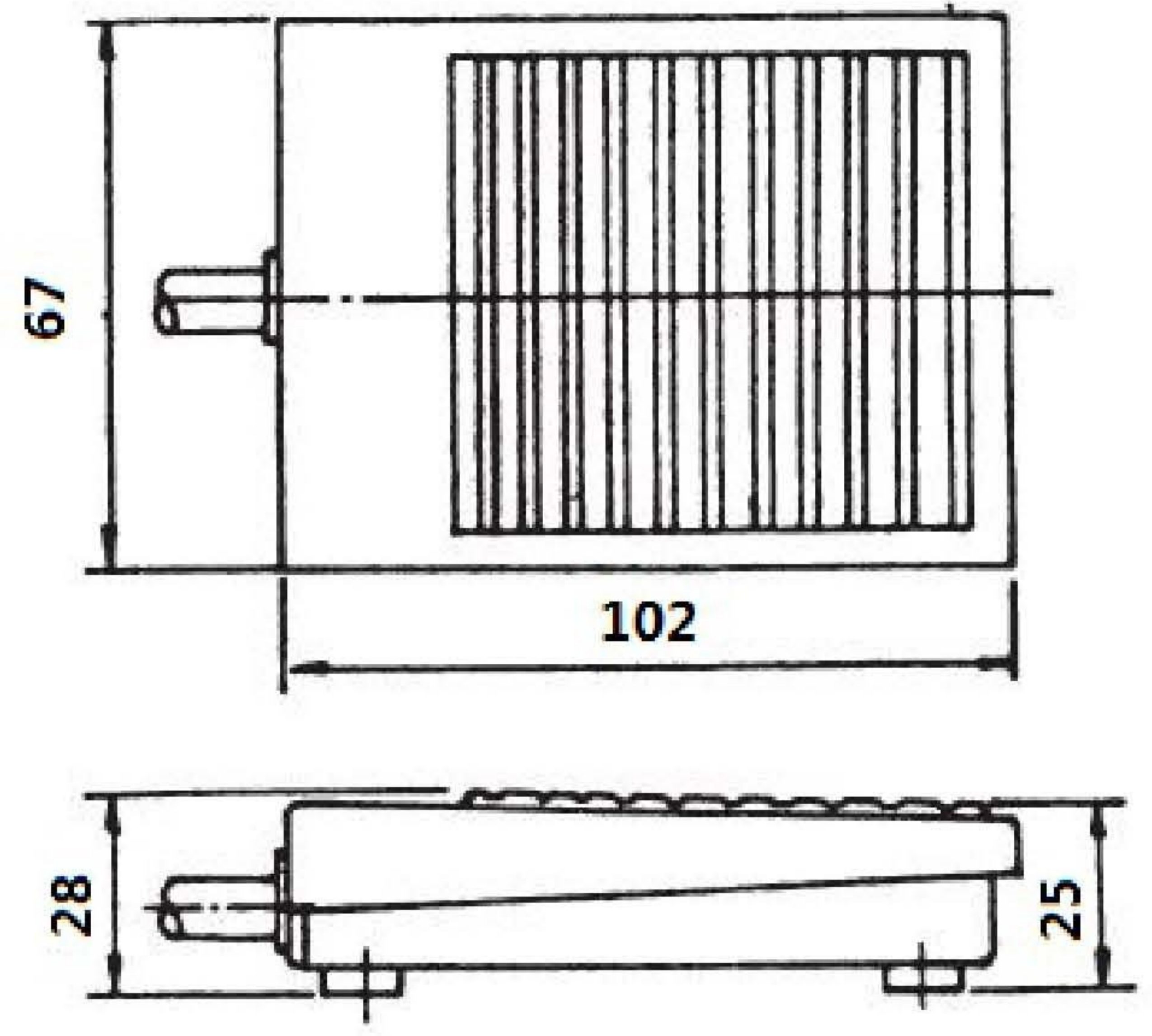


1	2	3	4
RevNo	Revision note	Date	Signature
			Checked

FS-1



RATING: 15A 250VAC
 SWITCH ENCLOSED: SPDT MICRO SWITCH
 CONTACT 1A1B
 CORD SPEC: PVC, 0.75mm², 3C
 ENCLOSURE MATERIAL: FERROUS COVER

Itemref	Quantity	Title/Name, designation, material, dimension etc			Article No./Reference	
Designed by PK	Checked by	Approved by - date	File name FS1	Date 11/25/2015	Scale	
FOOT SWITCH						
			Dwg No. FS1	Edition 0	Sheet 1/1	