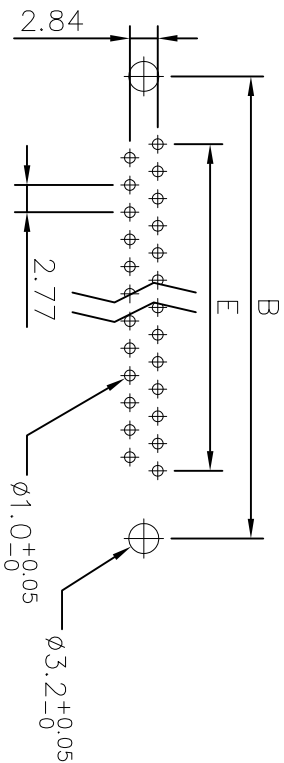
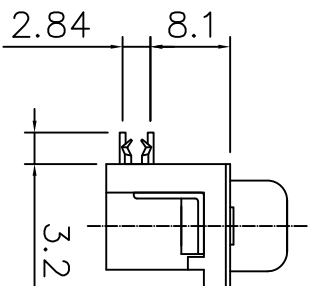
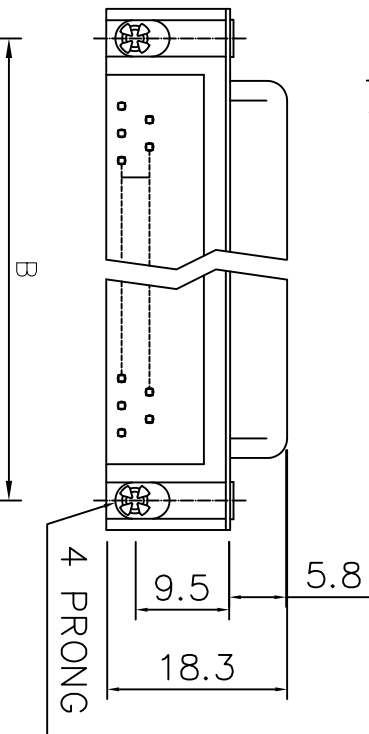
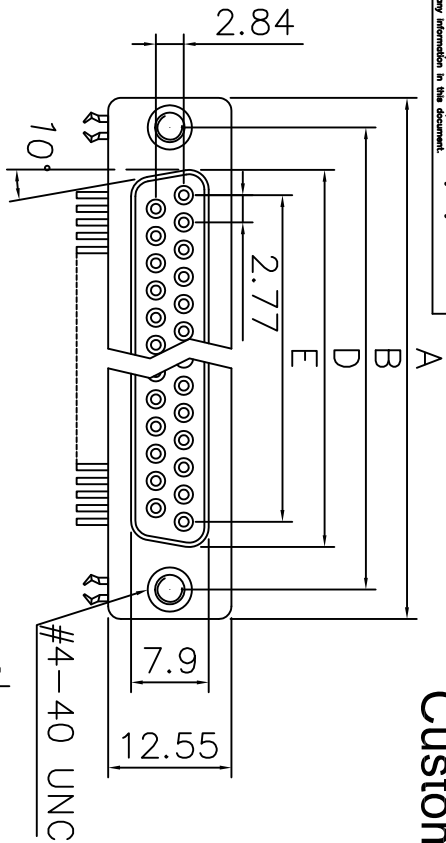


This document is the property of Amphenol Corporation and is addressed to the customer. It is loaned to the customer for their use only. It is not to be reproduced, stored in a retrieval system, or transmitted in any form or by any means, electronic, mechanical, photocopying, recording, or by any information storage and retrieval system, without the prior consent of Amphenol Corporation. If you have any questions or comments, please contact your Amphenol representative or contact Amphenol Corporation at 1-800-451-4242. Amphenol Corporation is not responsible for any damage or loss of data that may occur as a result of the use of this document.

# Customer Drawing



RECOMMENDED PCB LAYOUT

TOLERANCE  $\pm 0.05$

Dimensions

Positions	A	B	D	E
9	30.81	24.99	16.33	11.08
15	39.20	33.30	24.70	19.39
25	53.05	47.04	38.40	33.24
37	69.40	63.50	54.80	49.86

REVISIONS				
SN	EN	DESCRIPTION	DATE	APPROVED
1	HK--	First Release Drawing	12/02/10	IP
2	HK--	Update The Drawing	12/14/11	IP
3	HK--	Update The Drawing	05/28/13	IP

## D-SUB TECHNICAL DATA

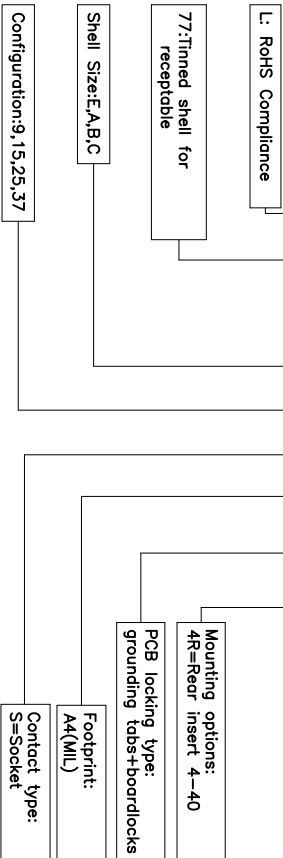
**SHELL :** Steel 100u" min tin over 50u" min nickel over 50u" min Copper  
**BODY :** Glass-Filled Thermoplastic PBT, UL94V-0  
**CONTACTS :** Copper alloy  
 Gold flash over 50u" min nickel on mating area.  
 100u" min tin over 50u" min nickel on solder area.

**BOARDLOCK:** Brass, Tin Plated.

**ELECTRICAL :** Voltage rating 250 V Rms to 60Hz  
 Current rating 3AMP  
 Withstanding Voltage >1000 V Rms 60Hz for one minute  
 Insulation resistance >1000 M Ohms  
 Contact resistance 20 mOhms max.

**MARKING :** Amphenol---(Series No.)  
 Commercial reference  
 Manufacturing date

**PRODUCT CODE**  
**L 77 SDX XX S A4 CH 4R**



UNLESS OTHERWISE SPECIFIED		APPROVAL		DATE	
TOLERANCES	D.C.	DRAWN	DATE	APPROVED	DATE
FRACTIONS	0.30	CHANGED	06/28/25		06/28/25
DECIMALS	0.30	CHANGED	06/28/25		06/28/25
ANGLES	0.20				
FOR METRIZES AND FINISHES	5°				
SEE NOTES					
REMOVE SHARP EDGES					
DIMENSIONS	INCHES				
	MIL				
DRAWING FILE :		ANGLE OF PROJECTION		TITLE	
Amphenol		Amphenol East Asia Limited		Amphenol East Asia Limited	
Stamp and formed contact, SD series		SIZE		REV.	
		A4		3	
		SCALE		SHEET 1 OF 1	
		NONE			