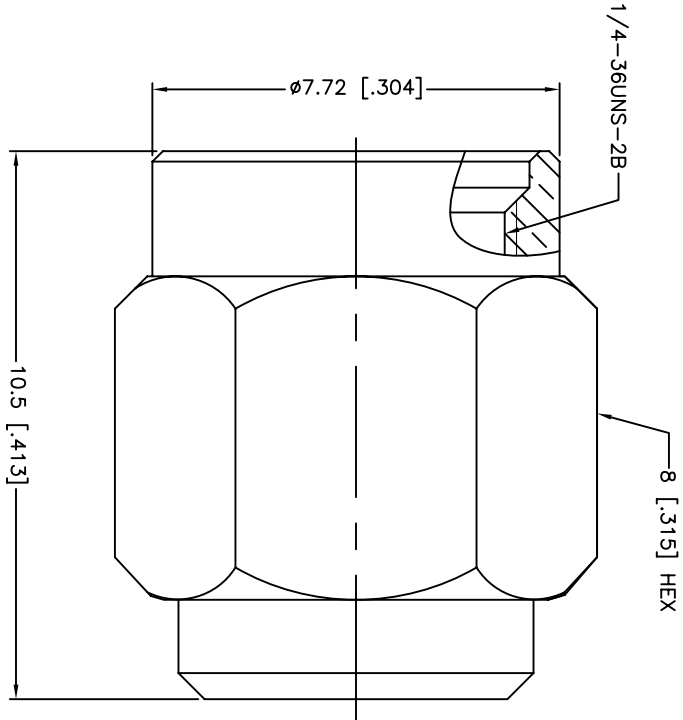


REV.	DATE	ECR NO.	DESCRIPTION
NC	10/24/10	XXXXXX	INITIAL RELEASE
A	10/06/11	2236	UPDATE THE RESISTOR'S DESCRIPTION



1. IMPEDANCE:50 OHM
2. FREQUENCY RANGE: 0-18 GHz.
3. DURABILITY:500 CYCLES MIN.

QTY	FINISH	MATERIAL	DESCRIPTION
2			RESISTOR
1	GOLD	BERYLLIUM COPPER	CONTACT PIN
1	NATURAL	PTFE	INSULATOR
1	RED	SILICON RUBBER	GASKET
1	GOLD	BRASS	BODY
1	GOLD	BRASS	SHELL

UNLESS OTHERWISE SPECIFIED, DIMENSIONS ARE IN INCHES AND FOR CUSTOMER REFERENCE ONLY.
 UNLESS OTHERWISE SPECIFIED, TOLERANCES FOR MILLIMETERS ARE:
 0.5 - 8mm ± 0.20mm
 8 - 30mm ± 0.40mm
 30 - 120mm ± 0.50mm
 UNLESS OTHERWISE SPECIFIED, TOLERANCES FOR INCHES ARE:
 .020 - .315 = ± 0.007"
 .315 - 1.180 = ± 0.015"
 1.180 - 4.724 = ± 0.020"

APPROVALS	DATE
DRAWN M.ZHANG	10/06/11
CHECKED	
ISSUED	
SHEET 1 OF 1	

Amphenol Connex

REVERSE POLARITY SMA TERMINATOR PLUG
(FOR 50 OHMS)

PART NO. 132360RP

DWG. NO. 132360RP.DWG

REV. A SIZE A SCALE NA