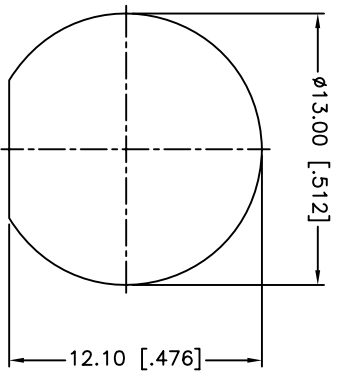
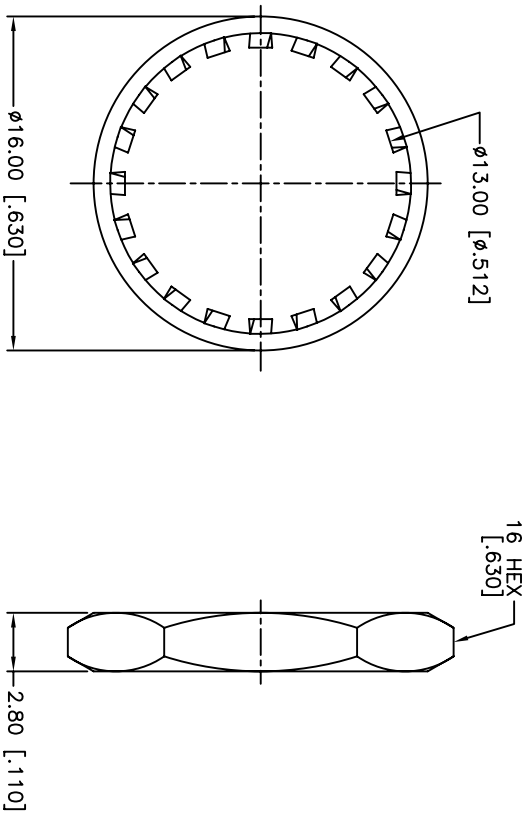
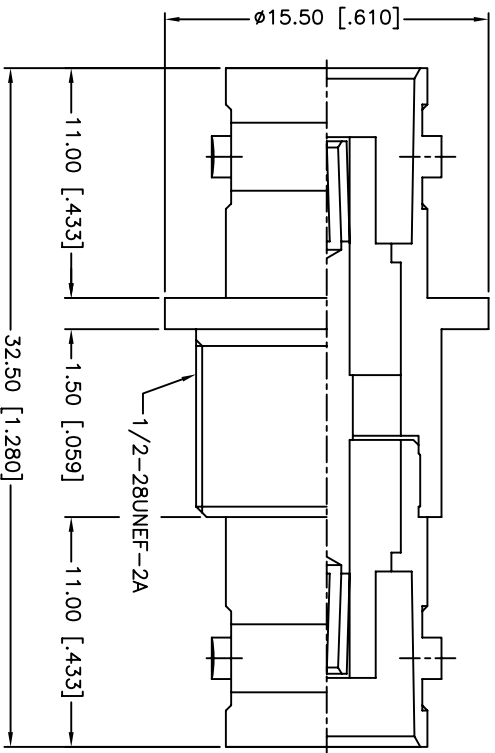


REV.	DATE	ECR NO.	DESCRIPTION
NC	05/22/03	XXXXXX	INITIAL RELEASE
A	08/16/13	2515	CORRECT CENTER CONTACT MATERIAL, UPDATE FORMAT ADD ELECTRICAL/MECHANICAL NOTES



RECOMMENDED  
MOUNTING HOLE



1. IMPEDANCE: 50 OHM
2. FREQUENCY RANGE: 0-4 GHZ
3. DIELECTRIC WITHSTANDING VOLTAGE: 1500 VRMS, MIN.
4. DURABILITY: 500 CYCLES MIN.
5. TEMPERATURE RANGE: -40°C TO +85°C

QTY	FINISH	MATERIAL	DESCRIPTION
1	NICKEL	BRASS	HEX NUT
1	NICKEL	BRASS	LOOK WASHER
1	GOLD	PHOSPHOR BRONZE	CONTACT PIN
2	NATURAL	DELRIN	INSULATOR
1	NICKEL	BRASS	BODY
1	NICKEL	BRASS	HOUSING

UNLESS OTHERWISE SPECIFIED DIMENSIONS ARE IN MILLIMETERS DIMENSIONS IN [ ] ARE IN INCHES AND FOR CUSTOMER REFERENCE ONLY. TOLERANCES FOR MILLIMETERS ARE:  
 <0.5 ± 0.05mm  
 0.5 - 30mm ± 0.10mm  
 30 - 120mm ± 0.20mm  
 120 - 300mm ± 0.30mm  
 ANGLES ± 1°  
 UNLESS OTHERWISE SPECIFIED TOLERANCES FOR INCHES ARE:  
 <.020 ± 0.002"  
 .020 - .236 ± 0.004"  
 .236 - 1.180 ± 0.007"  
 1.180 - 4.724 ± 0.012"  
 ANGLES ± 1°

APPROVALS	DATE
M.ZHANG	08/16/13
CHECKED	
ISSUED	
SHEET 1 OF 1	

**Amphenol Connex**

PART DESCRIPTION  
BNC FEMALE TO FEMALE BULKHEAD ADAPTER

PART NO. 112437

DWG. NO. 112437.DWG

REV. A

SIZE A

SCALE NA