

NOTES:

1. MATERIAL AND FINISHES:  
 BODY - BRASS, GOLD PLATING  
 CONTACT - BRASS, GOLD PLATING  
 SHELL - BRASS, GOLD PLATING  
 INSULATOR - PTFE, NATURAL  
 RESISTOR - 100 OHM, 0.1 WATT, 1%

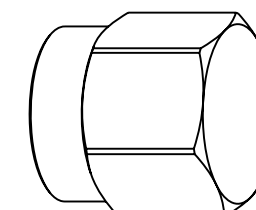
2. ELECTRICAL:  
 A. IMPEDANCE: 50 OHM  
 B. FREQUENCY RANGE: 0-18 GHz.  
 C. VSWR (RETURN LOSS): 1.3 MAX.  
 D. POWER RATING: 2 WATT

3. MECHANICAL:  
 A. DURABILITY: 500 CYCLES MIN.  
 B. TEMPERATURE RANGE: -65°C TO +165°C

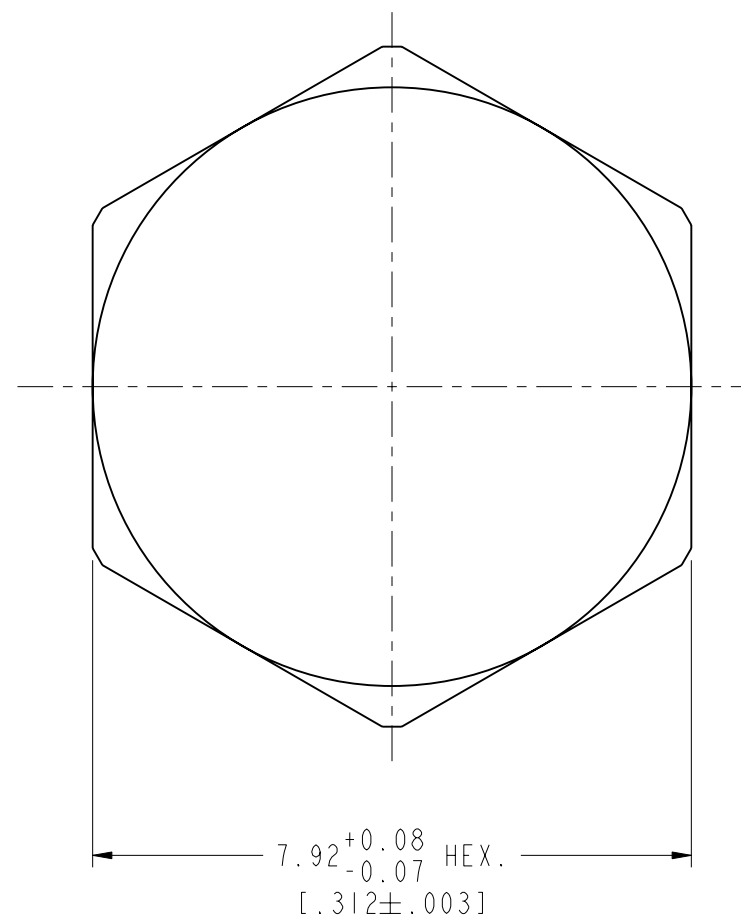
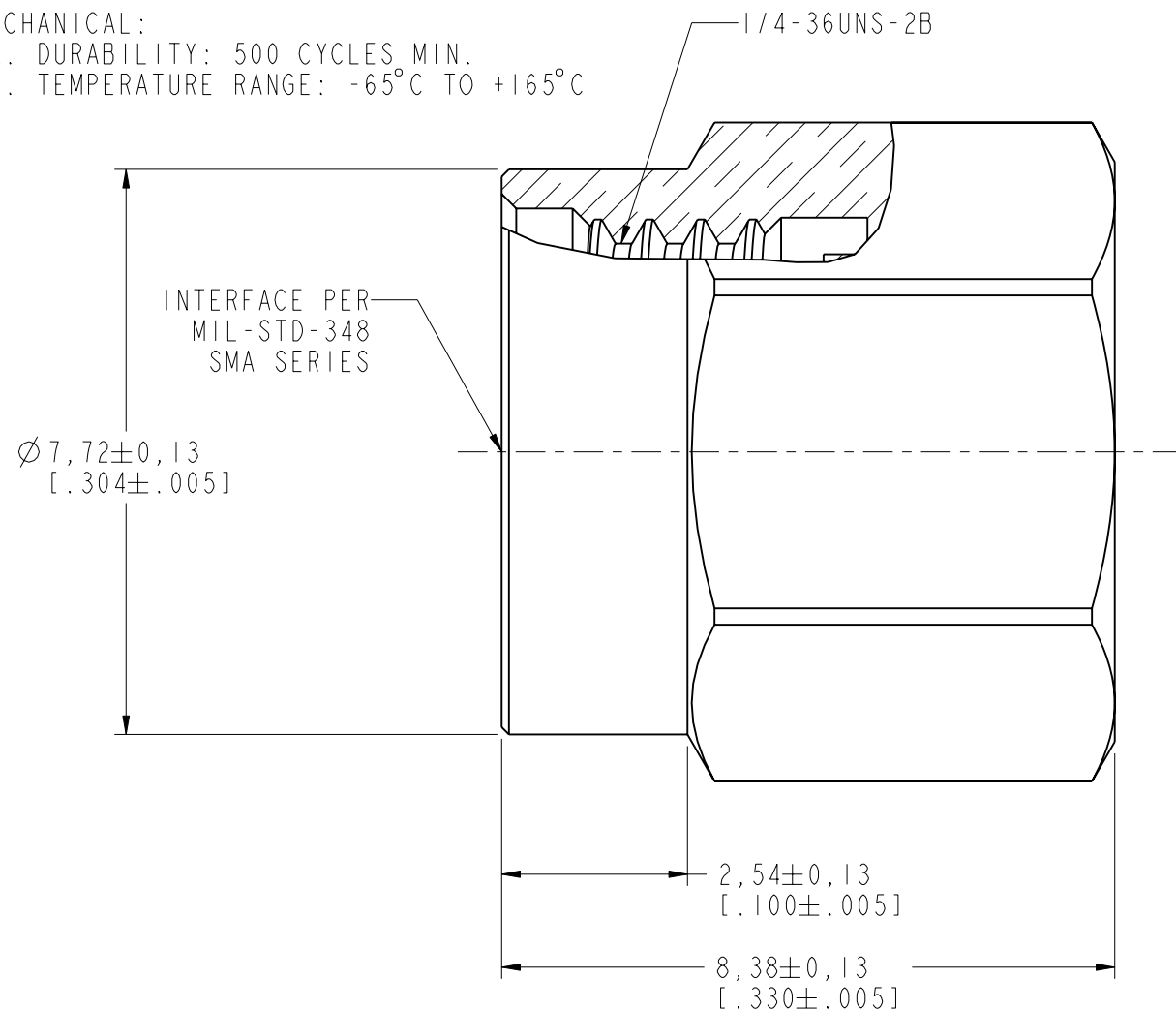
THIRD ANGLE PROJ.

REVISIONS

REV	DESCRIPTION	DATE	ECO	APPR
NC	INITIAL RELEASE	10-Nov-03	-----	GRS
A	UPDATE RESISTOR WATTAGE	15-Jan-05	-----	GRS
B	UPDATE THE RESISTOR'S DESCRIPTION	06-Oct-11	2236	MZ
C	THE DESIGN WAS CHANGED	30-Apr-12	2307	MZ
D	ADD RL AND POWER RATING SPECS PER CUSTOMER REQUEST	15-Jul-14	2768	MZ



SCALE 3.000



**CUSTOMER OUTLINE DRAWING**

ALL OTHER SHEETS ARE FOR INTERNAL USE ONLY

UNLESS OTHERWISE SPECIFIED, DIMENSIONS ARE IN METRIC AND TOLERANCES ARE: <0.5mm ± 0.05mm    0.5 - 6mm ± 0.1mm    6 - 30mm ± 0.2mm    30 - 120mm ± 0.3mm    ANGLES ± 1°	MATERIAL	DRAWN M. ZHANG	DATE 15-Jul-14	TITLE SMA TERMINATOR PLUG (50 OHMS)	Amphenol Connex
	REFERENCE SMA1005A4-001-3GT5GP-50	ENGINEER S. LI	DATE 15-Jul-14		
NOTICE - These drawings, specifications, or other data (1) are, and remain the property of Amphenol corp. (2) must be returned upon request; and (3) are confidential and not to be disclosed to any person other than those to whom they are given by Amphenol Corp. the furnishing of these drawings, specifications, or other data by Amphenol Corp., or to any other person to anyone for any purpose is not to be regarded by implication or otherwise in any manner licensing, granting rights to permitting such holder or any other person to manufacture, use or sell any product, process or design, patented or otherwise, that may in any way be related to or disclosed by said drawings, specifications, or other data.	CONFIGURATION LEVEL:	APPROVED S. HSIEH	DATE 15-Jul-14	SCALE: 10.0:1.0   SHEET 3 OF 3	ITEM NO.
	FINISH	CAD FILE	DWG SIZE B	REV D	PART NO. 132360