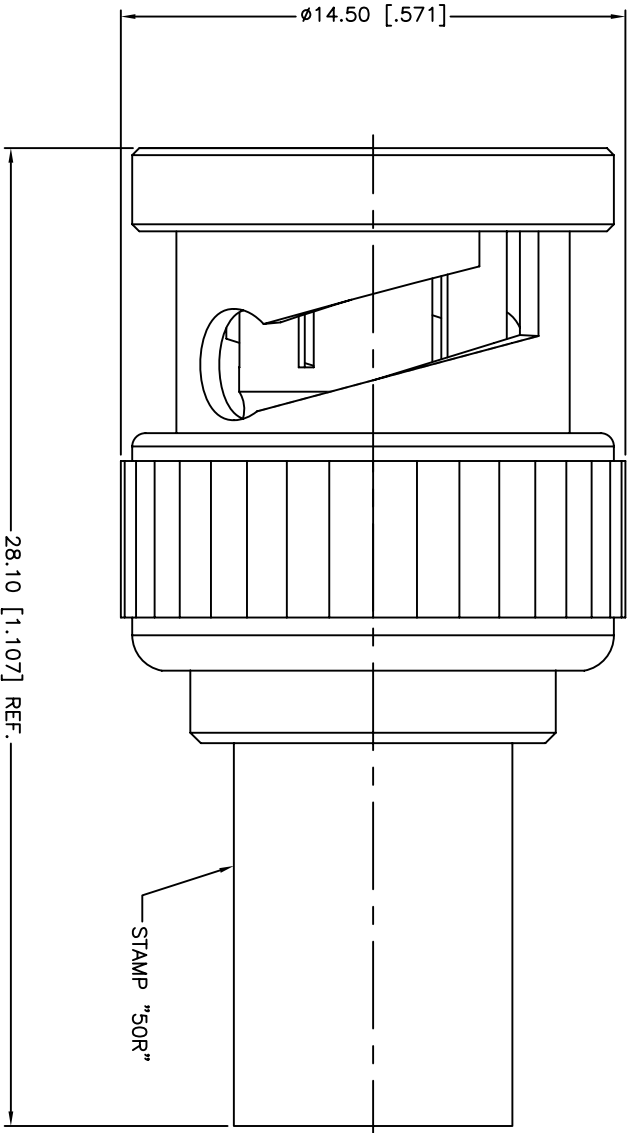


REV.	DATE	ECR NO.	DESCRIPTION
A	05/23/05	XXXXXX	UPDATE DRAWING FORMAT
B	09/04/11	2226	ADD NOTES.



NOTE:
 1. FREQUENCY RANGE: DC -500 MHZ
 2. VSWR: 1.2, MAX.

PARTS	BRASS	NICKEL	QTY
10	1WATT 5% SOR	NICKEL	1
9	RESISTOR	GOLD	1
8	CONTACT PIN	NICKEL	1
7	WASHER	NICKEL	1
6	SPRING	NICKEL	1
5	RETAINER RING	NICKEL	1
4	GASKET	RED	1
3	INSULATOR	DELIRIN	1
2	BODY	BRASS	1
1	SHELL	BRASS	1

UNLESS OTHERWISE SPECIFIED, DIMENSIONS ARE IN INCHES AND FOR CUSTOMER REFERENCE ONLY.
 UNLESS OTHERWISE SPECIFIED, DIMENSIONS FOR MILLIMETERS ARE:
 0.5 - 8mm ± 0.20mm
 8 - 30mm ± 0.40mm
 30 - 120mm ± 0.50mm
 UNLESS OTHERWISE SPECIFIED, TOLERANCES FOR INCHES ARE:
 .020 - .315 = ± 0.007"
 .315 - 1.180 = ± 0.015"
 1.180 - 4.724 = ± 0.020"
 DO NOT SCALE DRAWING

APPROVALS	DATE
DRAWN M.ZHANG	09/04/11
CHECKED	
ISSUED	
SHEET 1 OF 1	

Amphenol Connex

PART DESCRIPTION
BNC TERMINATOR PLUG

PART NO.
202103

DWG. NO. 202103.DWG REV. B SIZE A SCALE NA