

MCR-SL-CUC-200-U - Universal current transducer



2308205

<https://www.phoenixcontact.com/us/products/2308205>

Please be informed that the data shown in this PDF document is generated from our online catalog. Please find the complete data in the user documentation. Our general terms of use for downloads are valid.



Universal current transducer, for measuring DC, AC, and distorted currents, 0 ... 200 A input current, 0 ... 10 V output

Your advantages

- Variable mounting on DIN rail and mounting panel
- Compact dimensions also enable distributed use
- Simple connection technology thanks to COMBICON plug-in connection terminal blocks
- 3-way isolation
- Universal current measurement, no shunt required

Commercial data

Item number	2308205
Packing unit	1 pc
Minimum order quantity	1 pc
Sales key	C444
Product key	CK4A32
Catalog page	Page 228 (C-5-2019)
GTIN	4046356569743
Weight per piece (including packing)	296.7 g
Weight per piece (excluding packing)	295.4 g
Customs tariff number	90303370
Country of origin	CN

Technical data

Product properties

Product type	Current transducer
--------------	--------------------

Insulation characteristics

Overvoltage category	III
Pollution degree	2

Electrical properties

Linearity error	$<\pm 1\%$ (From the range end value)
Maximum power dissipation for nominal condition	1 W
Step response (10-90%)	150 ms
Temperature coefficient, typical	0.02 %/K (0 °C ... 60 °C) 0.04 %/K (-40 °C ... 65 °C)
Maximum transmission error	$<\pm 1\%$ (of final value)
Rated insulation voltage	300 V AC

Electrical isolation Input/output

Test voltage	3.5 kV AC (50 Hz, 60 s)
--------------	-------------------------

Electrical isolation Input/power supply

Test voltage	3.5 kV AC (50 Hz, 60 s)
--------------	-------------------------

Supply

Nominal supply voltage	24 V DC
Supply voltage range	20 V DC ... 30 V DC
Max. current consumption	30 mA

Input data

Measurement

Number of inputs	1
Configurable/programmable	no
Input current range	0 A AC/DC ... 200 A AC/DC
Overload capacity	$3 \times I_{IN}$
Frequency measuring range	20 Hz ... 6000 Hz (0 Hz)
Curve type	AC, DC or distorted currents

Output data

Signal: Voltage

Voltage output signal	0 V ... 10 V
Load/output load voltage output	$\geq 10\text{ k}\Omega$

Connection data

Connection method	Push-in connection
-------------------	--------------------

MCR-SL-CUC-200-U - Universal current transducer



2308205

<https://www.phoenixcontact.com/us/products/2308205>

Stripping length	10 mm
Conductor cross section rigid	0.25 mm ² ... 2.5 mm ²
Conductor cross section flexible	0.2 mm ² ... 2.5 mm ²
Conductor cross section AWG	24 ... 12
Connection method	Through connection

Dimensions

Item dimensions

Width	90 mm
Height	33.8 mm
Depth	85 mm

Circular conductor

Diameter	32 mm
----------	-------

Material specifications

Housing material	Frianyl B63 V0 GV30
------------------	---------------------

Environmental and real-life conditions

Ambient conditions

Degree of protection	IP20
Ambient temperature (operation)	-40 °C ... 65 °C
Ambient temperature (storage/transport)	-40 °C ... 85 °C

Approvals

CE

Certificate	CE-compliant
-------------	--------------

UKCA

Certificate	UKCA-compliant
-------------	----------------

UL, USA/Canada

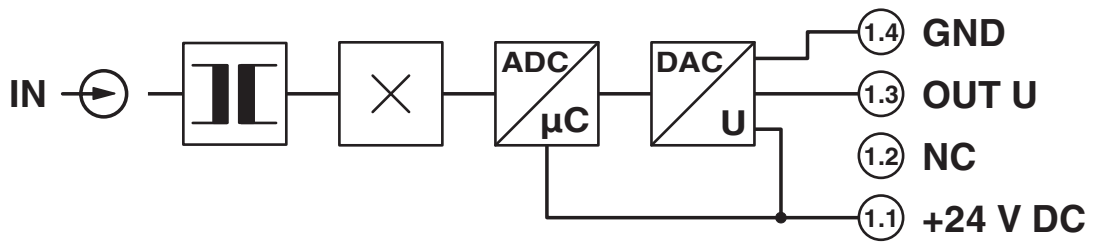
Identification	UL/C-UL Listed UL 508
----------------	-----------------------

Mounting

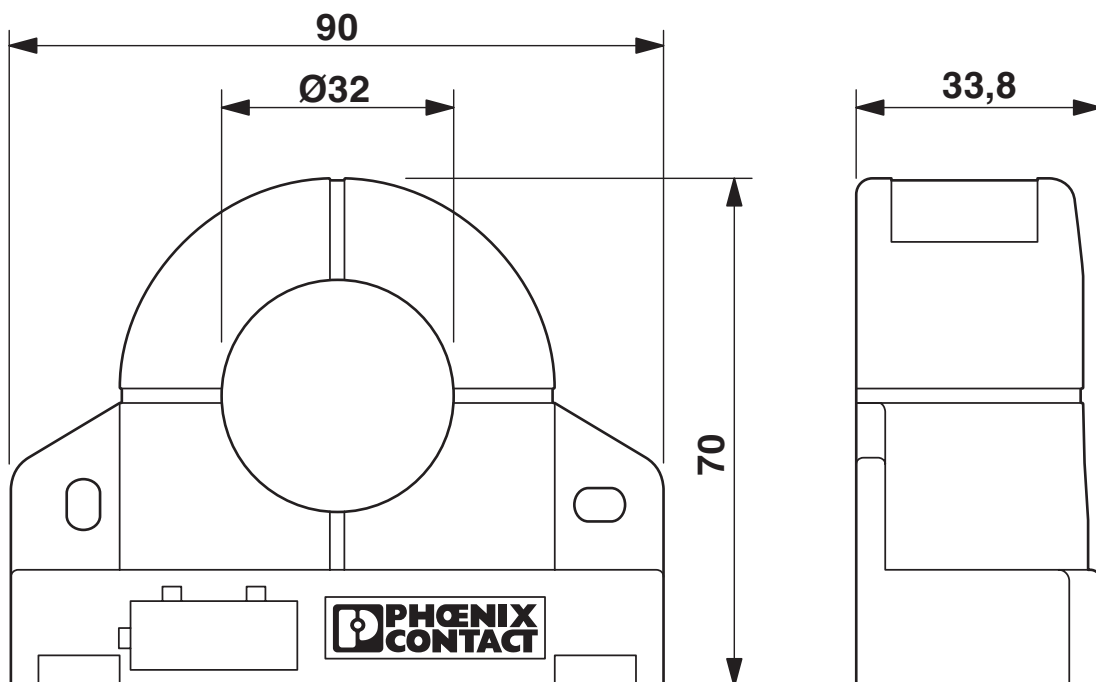
Mounting type	DIN rail mounting
---------------	-------------------

Drawings

Circuit diagram



Dimensional drawing



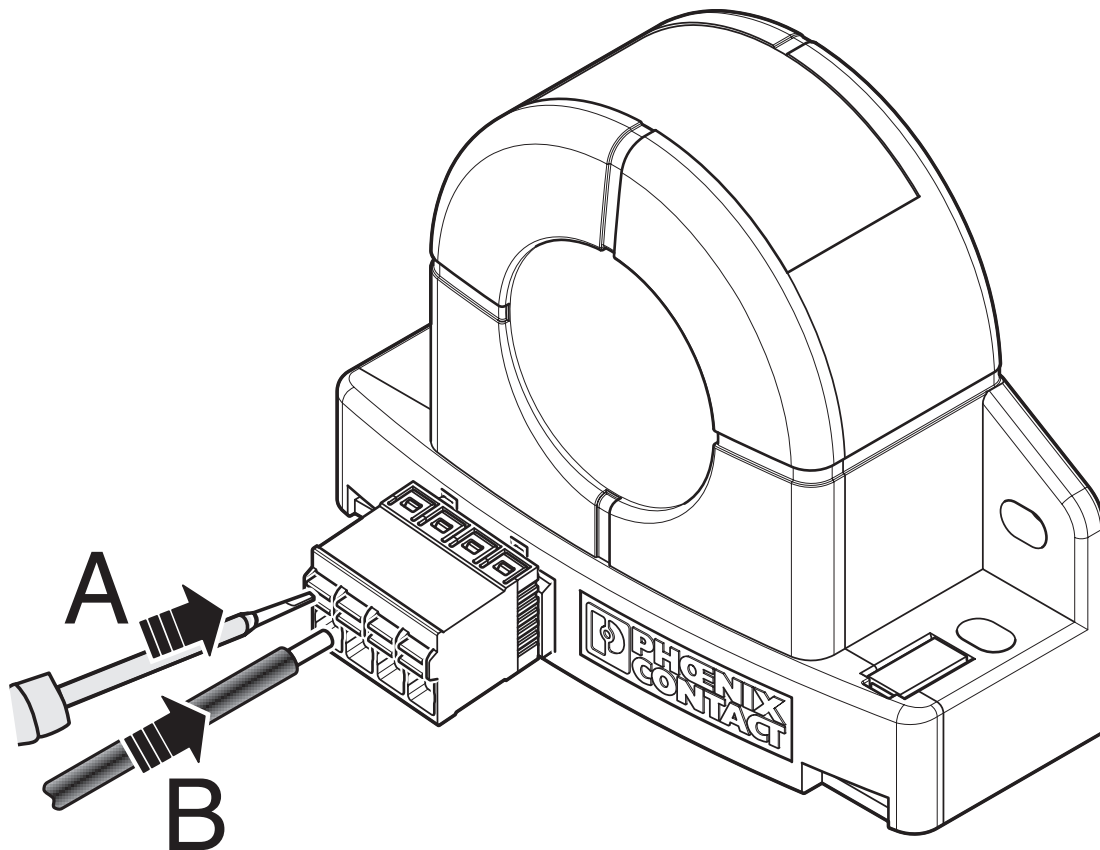
MCR-SL-CUC-200-U - Universal current transducer



2308205

<https://www.phoenixcontact.com/us/products/2308205>

Schematic diagram



MCR-SL-CUC-200-U - Universal current transducer



2308205

<https://www.phoenixcontact.com/us/products/2308205>

Approvals

To download certificates, visit the product detail page: <https://www.phoenixcontact.com/us/products/2308205>



EAC

Approval ID: RU*DE.*08.B.01852-19



UL Listed

Approval ID: FILE E 123528



cUL Listed

Approval ID: FILE E 123528

cULus Listed

MCR-SL-CUC-200-U - Universal current transducer



2308205

<https://www.phoenixcontact.com/us/products/2308205>

Classifications

ECLASS

ECLASS-11.0	27210123
ECLASS-12.0	27210123
ECLASS-13.0	27210123

ETIM

ETIM 9.0	EC002475
----------	----------

UNSPSC

UNSPSC 21.0	39121000
-------------	----------

MCR-SL-CUC-200-U - Universal current transducer



2308205

<https://www.phoenixcontact.com/us/products/2308205>

Environmental product compliance

China RoHS	Environmentally Friendly Use Period = 25; For information on hazardous substances, refer to the manufacturer's declaration available under "Downloads"
------------	---

MCR-SL-CUC-200-U - Universal current transducer



2308205

<https://www.phoenixcontact.com/us/products/2308205>

Accessories

PACT MCR-RA - DIN rail adapter

2277598

<https://www.phoenixcontact.com/us/products/2277598>

Adapter for mounting on DIN rails.



Phoenix Contact 2024 © - all rights reserved
<https://www.phoenixcontact.com>

Phoenix Contact USA
586 Fulling Mill Road
Middletown, PA 17057, United States
(+717) 944-1300
info@phoenixcon.com