

Product Specification

Number: L-KLS26-MR-L5

Name: Side mounted liquid level switch

Customer: D16

Date: 2023-04-23

Customer Signature:

--



NINGBO KLS ELECTRONIC CO; LTD

Tel : 0086-574-86828566

Fax : 0086-574-86824882

ADD : NO. 8-1, RONGXIA RD. XIAPU SHANQIAN
INDUSTRIAL ZONE BEILUN NINGBO ZHEJIANG.

Compi	Check	Review	Approva
Jenny	Jack.C		

specification

WWW.KLSELE.COM

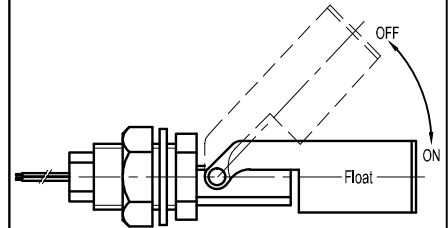
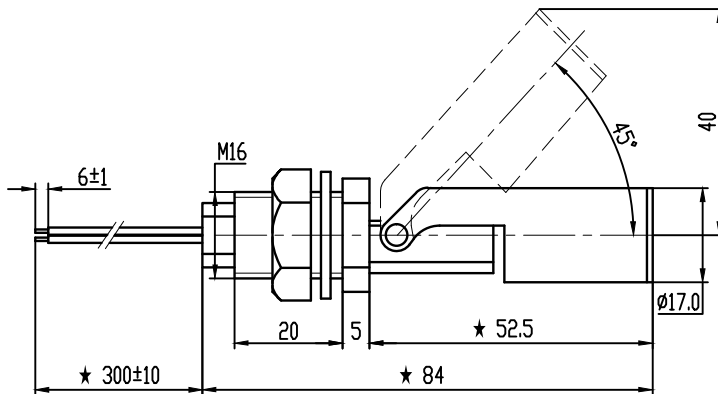
Name

Side mounted liquid level switch

Type

L-KLS26-MR-L5

Movement explanation



Movement explanation:

- 1、 when the float is in $10\pm 5^\circ$, the reed switch will be closed.
- 2、 when the float is in $40\pm 5^\circ$, the reed switch will be open.

BOM

Reed switch Electrical Specification

Product features

No	Part name	Specification	Material	Quantity	1.Contact form		A(NO.)		1.Float pressure[MPa]		0.1	
1	Float	$\varnothing 17.5 \times 51.5$	PP	1PC	2.Contact rating[W]		50		2.Applicable temperature[°C]		-10~+85	
2	Float ball	L5	PP	1PC	3.Max switching voltage[V]		DC350/AC300		3.Withstand voltage		1000V/10S	
3	Cap nut	M16*2-8	PP	1PC	4.Breakdown voltage[V]		600VDC		4.Terminal tensile strength[Kg]		/	
4	O-ring	$\varnothing 26.5 \times \varnothing 16.3 \times 2$	rubber	1PC	5.Max switching current[A]		DC0.7/AC0.5		5.The contact resistance[mΩ]			
5	Gasket	—	—	—	6.Max carry current[A]		2.5		6.Insulation resistance[MΩ]		100min	
6	Wire	UL1007 22# black	PVC	300mm	7.Contact resistance[mΩ]		100max					
7	Filling	5321A Black+5323B	epoxy glue	—	8.Insulation resistance[Ω]		10^{10} min					
8	Terminal	—	—	—	9.Get an electric shock life		10^7					
9	Housing	—	—	—								
10	Reed switch	229	Imported from Japan	1PC	designed by	Checked by	Drawing by	Drawing Date				
11	Circuit board	—	—	—								

NINGBO KLS ELECTRONIC CO; LTD

Scale

1:1

Sheet

1

Edition

A