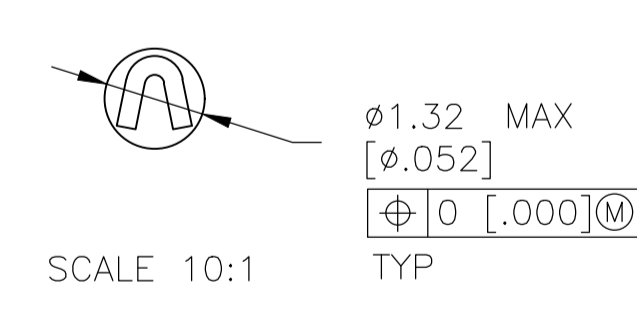
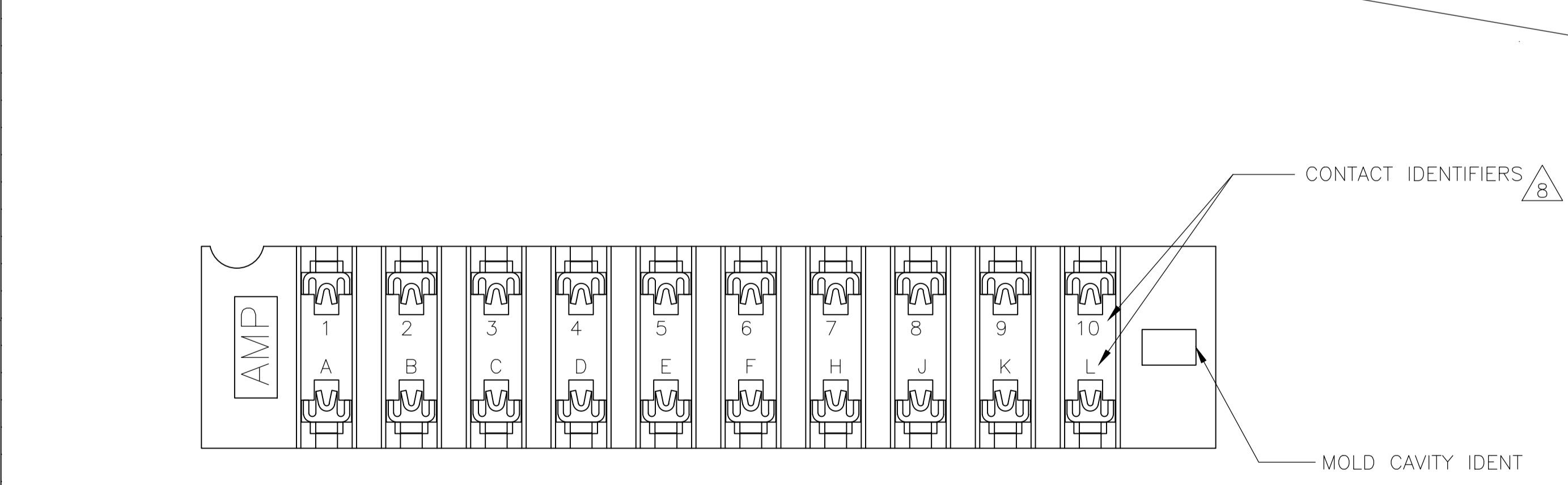
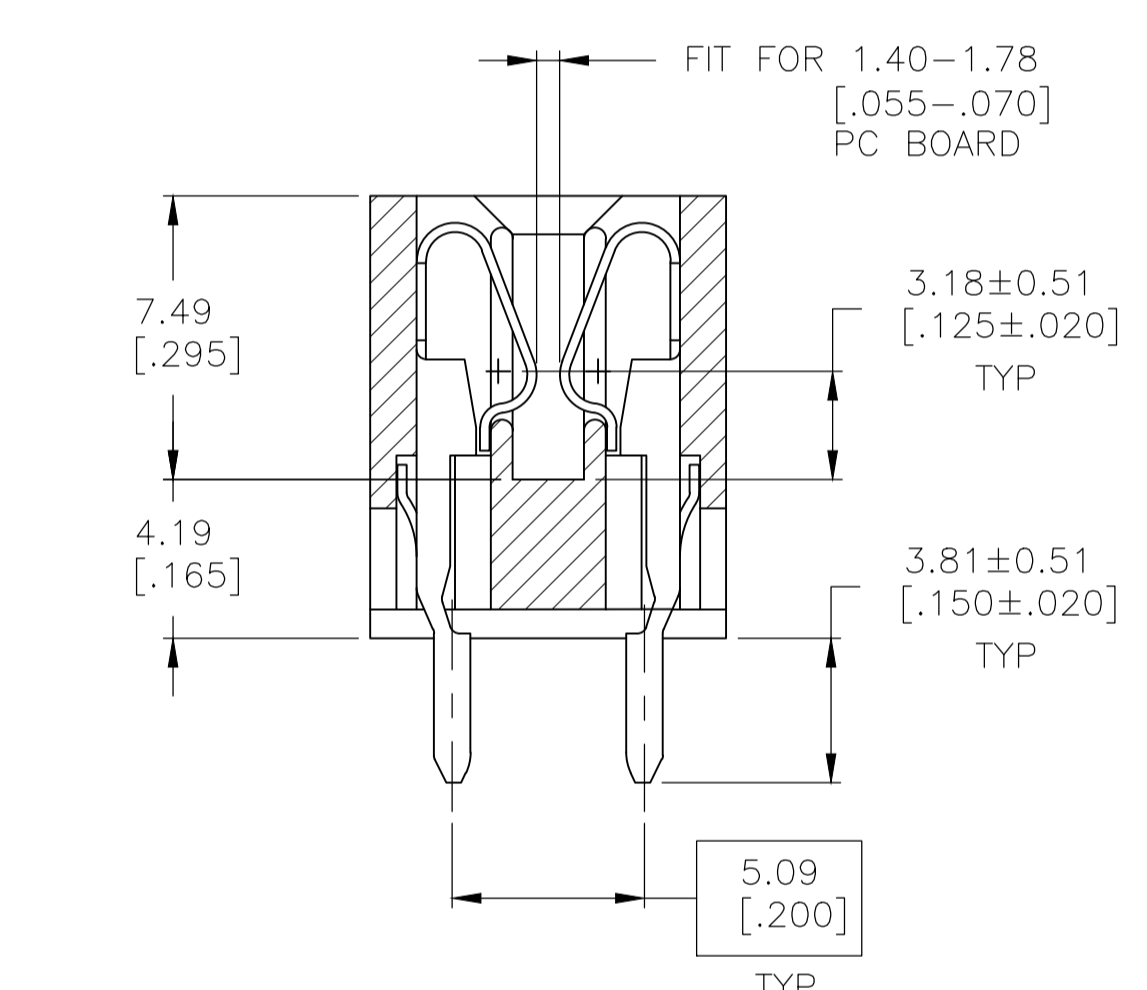
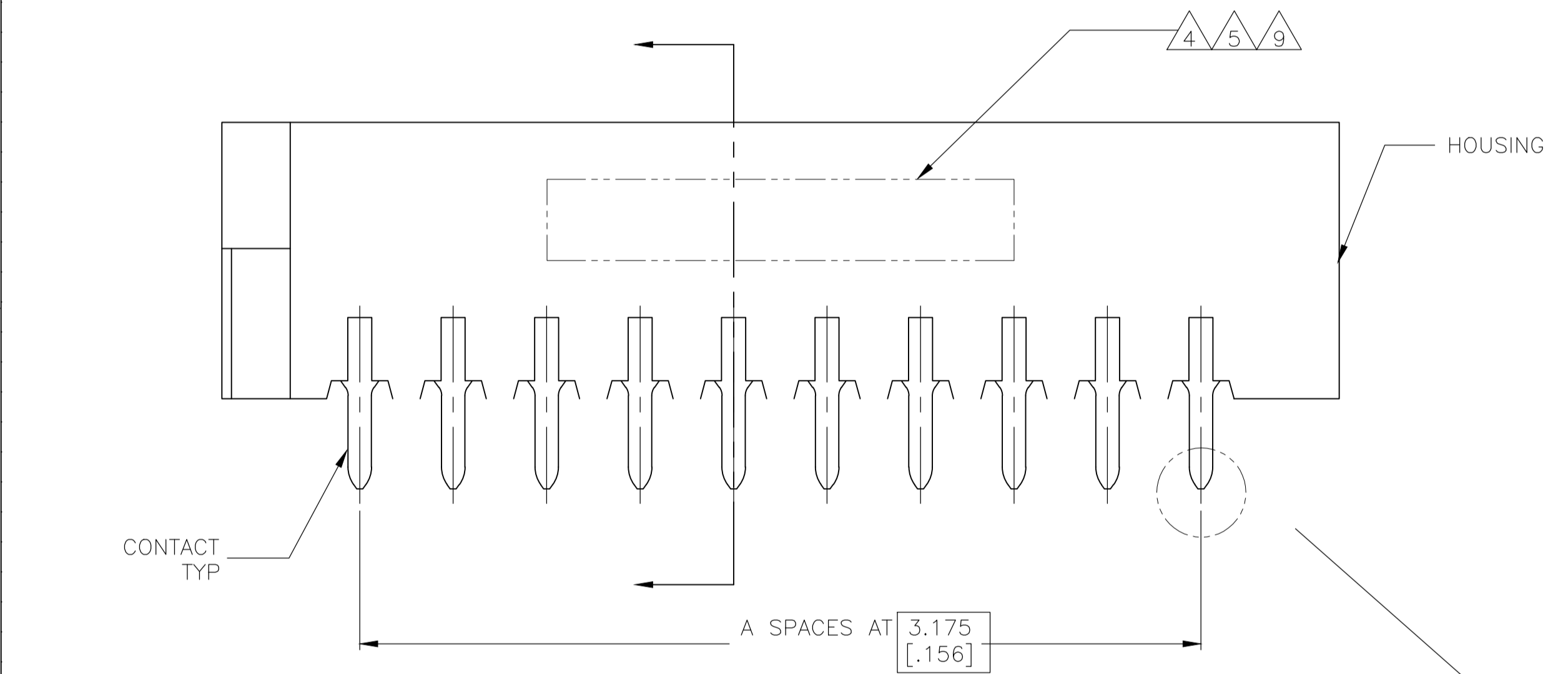
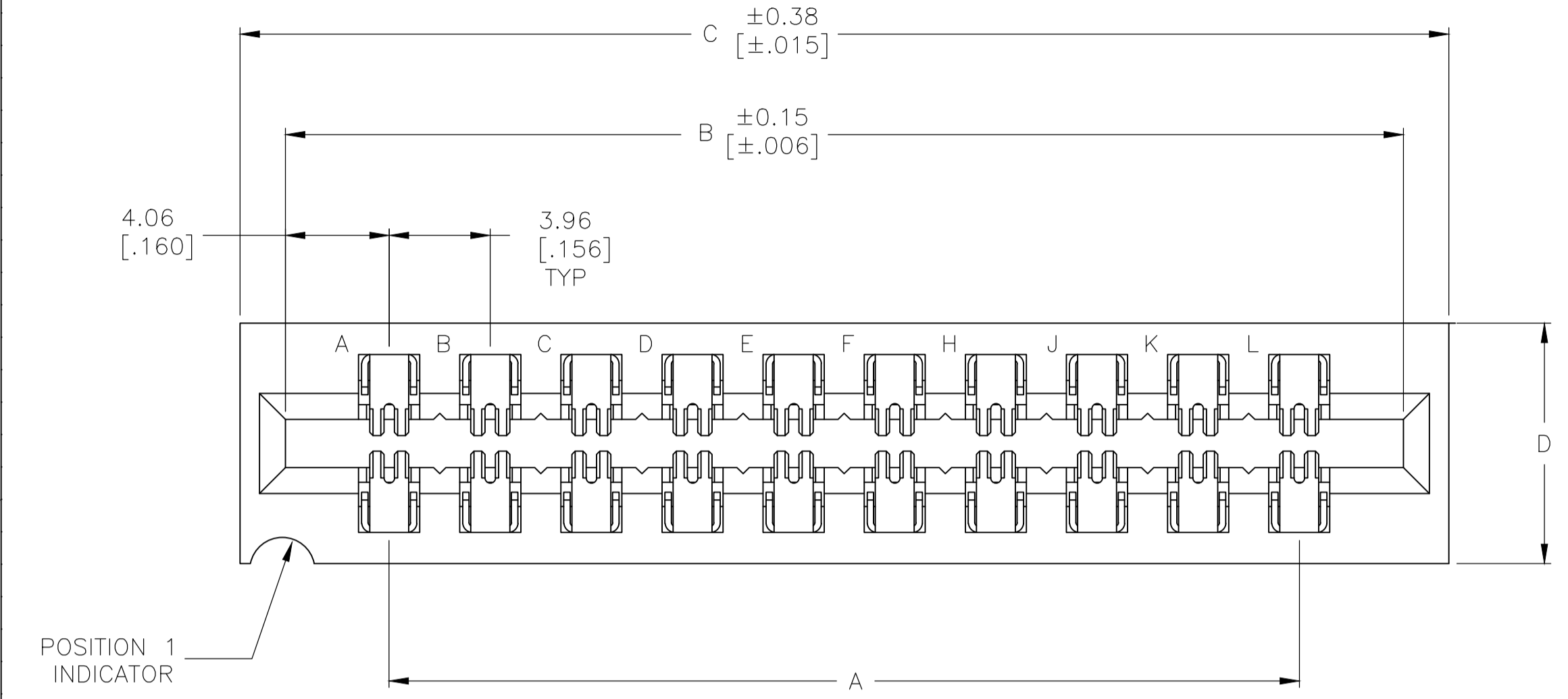


LOC		DIST		REVISIONS			
AD	00	F	LTR	DESCRIPTION	DATE	DMN	APVD
		K3	REVISED	PER ECO-20-000170	21MAY2020	KR	JO

- 1 0.38µm[.000015] MIN GOLD ALL OVER 1.27µm[.000050] MIN NICKEL IN CONTACT AREA
- 2 0.76µm[.000030] MIN GOLD ALL OVER 1.27µm[.000050] MIN NICKEL IN CONTACT AREA
- 3 0.51µm[.000020] MIN GOLD ALL OVER 1.27µm[.000050] MIN NICKEL IN CONTACT AREA
- 4 NO INK STAMPING ON 1-153666-5 PART
- 5 ALL PARTS ASSEMBLED IN MEXICO MUST BE STAMPED "ASSY IN MEXICO" THE WORD "MEXICO" CAN BE SUBSTITUTED ONLY WHERE PART SIZE PROHIBITS STAMPING "ASSY IN MEXICO" INK STAMP COLOR WHITE OR HOT STAMP ( NO WHITE TAPE) 115-9009 APPROX. WHERE SHOWN SIDE OPTIONAL
- 6 MATTE TIN PLATED CONTACT TAILS
- 7 HOUSING: GLASS FILLED POLYESTER, BLACK CONTACTS: PHOSPHOR BRONZE
- 8 MOLDED CHARACTERS (UPPER & LOWER CASE LETTERS FOLLOWED BY UPPER CASE LETTERS AA, AB, ETC.) OMITTING LETTERS G,I,O, & Q
- 9 AMP PART NUMBER AND DATE CODE INK STAMPED WHITE OR HOT STAMP NO WHITE TAPE IN THIS AREA (SIDE OPTIONAL)
- 10 BRIGHT TIN POST
- 11 OBSOLETE PARTS: OBSOLETE CIS STREAMLINING PER D.RENAUD/D.SINISI



REV	DESCRIPTION	DATE	DMN	APVD	NO OF POSN	PART NUMBER	
11	OBSOLETE	11.10	178.10	174.55	166.42	43	8-530666-3
		[.437]	[7.012]	[6.872]	[6.552]		
		11.10	118.67	115.11	106.98	28	8-530666-2
		[.437]	[4.672]	[4.532]	[4.212]		
11	OBSOLETE	11.10	126.59	123.04	114.91	30	7-530666-9
		[.437]	[4.984]	[4.844]	[4.524]		
		9.40	94.89	91.34	83.21	22	7-530666-6
		[.370]	[3.736]	[3.596]	[3.276]		
11	OBSOLETE	9.40	79.04	75.49	67.36	18	7-530666-5
		[.370]	[3.112]	[2.972]	[2.652]		
		9.40	67.16	63.60	55.47	15	7-530666-4
		[.370]	[2.644]	[2.504]	[2.184]		
		9.40	55.27	51.71	43.59	12	7-530666-3
		[.370]	[2.176]	[2.036]	[1.716]		
		9.40	47.35	43.79	35.66	10	7-530666-2
		[.370]	[1.864]	[1.724]	[1.404]		
		9.40	31.50	27.94	19.81	6	7-530666-1
		[.370]	[1.240]	[1.100]	[.780]		
11	OBSOLETE	11.10	178.10	174.55	166.42	43	3-530666-3
		[.437]	[7.012]	[6.872]	[6.552]		
		9.40	118.67	115.11	106.98	28	3-530666-2
		[.370]	[4.672]	[4.532]	[4.212]		
		11.10	182.07	178.51	170.38	44	3-530666-1
		[.437]	[7.168]	[7.028]	[6.708]		
		11.10	150.37	146.81	138.68	36	3-530666-0
		[.437]	[5.920]	[5.780]	[5.460]		
		11.10	126.59	123.04	114.91	30	2-530666-9
		[.437]	[4.984]	[4.844]	[4.524]		
		9.40	106.78	103.23	95.10	25	2-530666-8
		[.370]	[4.204]	[4.064]	[3.744]		
		9.40	102.82	99.26	91.14	24	2-530666-7
		[.370]	[4.048]	[3.908]	[3.588]		
		9.40	94.89	91.34	83.21	22	2-530666-6
		[.370]	[3.736]	[3.596]	[3.276]		
11	OBSOLETE	9.40	79.04	75.49	67.36	18	2-530666-5
		[.370]	[3.112]	[2.972]	[2.652]		
		9.40	67.16	63.60	55.47	15	2-530666-4
		[.370]	[2.644]	[2.504]	[2.184]		
		9.40	55.27	51.71	43.59	12	2-530666-3
		[.370]	[2.176]	[2.036]	[1.716]		
		9.40	47.35	43.79	35.66	10	2-530666-2
		[.370]	[1.864]	[1.724]	[1.404]		
		9.40	31.50	27.94	19.81	6	2-530666-1
		[.370]	[1.240]	[1.100]	[.780]		
		9.40	118.67	115.11	106.98	28	1-530666-5
		[.370]	[4.672]	[4.532]	[4.212]		
		11.10	178.10	174.55	166.42	43	1-530666-3
		[.437]	[7.012]	[6.872]	[6.552]		
		9.40	118.67	115.11	106.98	28	1-530666-2
		[.370]	[4.672]	[4.532]	[4.212]		
		11.10	182.07	178.51	170.38	44	1-530666-1
		[.437]	[7.168]	[7.028]	[6.708]		
		11.10	150.37	146.81	138.68	36	1-530666-0
		[.437]	[5.920]	[5.780]	[5.460]		
		11.10	126.59	123.04	114.91	30	530666-9
		[.437]	[4.984]	[4.844]	[4.524]		
		9.40	106.78	103.23	95.10	25	530666-8
		[.370]	[4.204]	[4.064]	[3.744]		
		9.40	102.82	99.26	91.14	24	530666-7
		[.370]	[4.048]	[3.908]	[3.588]		
		9.40	94.89	91.34	83.21	22	530666-6
		[.370]	[3.736]	[3.596]	[3.276]		
		9.40	79.04	75.49	67.36	18	530666-5
		[.370]	[3.112]	[2.972]	[2.652]		
		9.40	67.16	63.60	55.47	15	530666-4
		[.370]	[2.644]	[2.504]	[2.184]		
		9.40	55.27	51.71	43.59	12	530666-3
		[.370]	[2.176]	[2.036]	[1.716]		
		9.40	47.35	43.79	35.66	10	530666-2
		[.370]	[1.864]	[1.724]	[1.404]		
		9.40	31.50	27.94	19.81	6	530666-1
		[.370]	[1.240]	[1.100]	[.780]		

THIS DRAWING IS A CONTROLLED DOCUMENT.

APPROVED: D. HARDY 12SEP97, R. STONE 16SEP97, D. WIKE 18SEP97

TE Connectivity

HOUSING ASSEMBLY, LOW PROFILE EDGE CONNECTOR, FLOW SOLDER FOR .052 DIA HOLE, .156 X .200 CENTERS

108-9044

SIZE: A1, WEIGHT: --, SCALE: 5:1, SHEET: 1 OF 1, REV: K3

# Mouser Electronics

Authorized Distributor

Click to View Pricing, Inventory, Delivery & Lifecycle Information:

[TE Connectivity:](#)

[2-530666-6](#)