

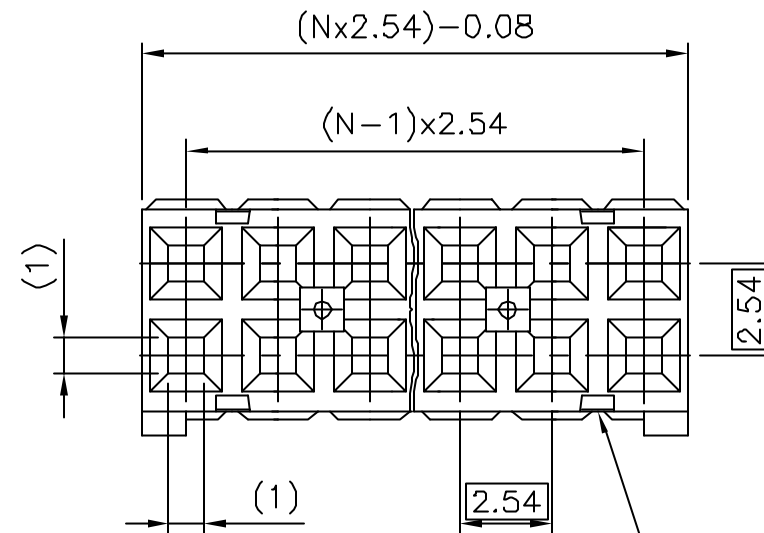
PRODUCT NUMBER

65239-0XXLF

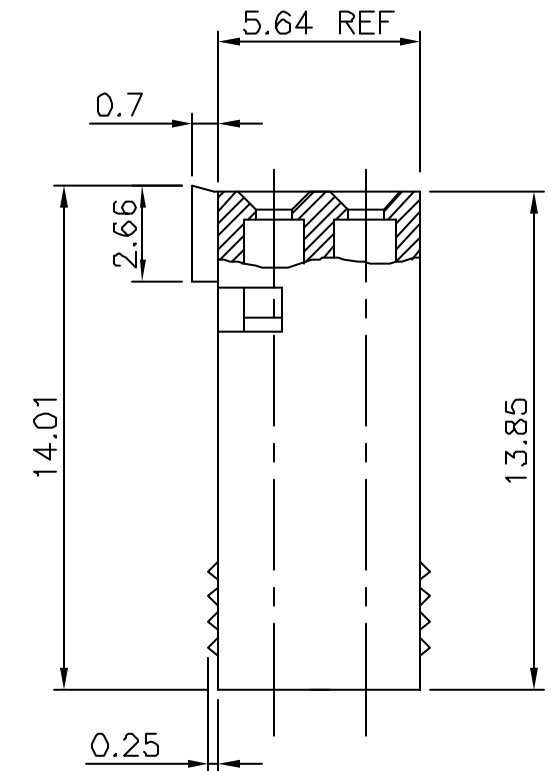
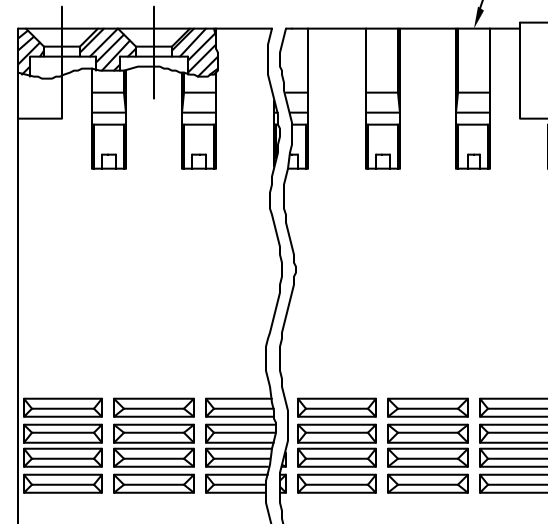
WHEN NEEDED, SUFFIX LETTER "LF"
INDICATES THE PRODUCT IS RoHS
COMPLIANT, SEE NOTE 6

NUMBER OF CAVITIES PER ROW : 02 TO 36.

PLASTIC MATERIAL.



SEE NOTE 2



NOTES:

- 1 - HOUSING MAT'L: THERMOPLASTIC GLASS FILLED
FLAME RETARDANT PER UL 94 V-0 COLOR: BLUE.
- 2 - OVER DASH -007 ONLY FIRST AND
LAST THREE POSITIONS MUST HAVE
GROOVES ON TWO SIDES.
- 3 - PRODUCT PACKED IN PLASTIC BAG.
- 4 - TO DETERMINE DIMENSIONS:
N = NUMBER OF POSITIONS
EXAMPLE: 8 POS: $(N \times 2.54) - 0.08 = 20.24$ mm.
- 5 - FOR TECHNICAL APPLICATION SEE TA317.
- 6 - RoHS COMPATIBLE PRODUCT SPECIFICATIONS

a - LABELING:

- MEETS PACKAGING SPECS AS PER GS-14-920

b - LEGAL STATEMENT: SEE GS-22-008

THE PRODUCT IS NOT INTENDED TO BE EXPOSED TO A
MANUFACTURING SOLDER PROCESS.

mat'l. code SEE NOTE				surface ISO 1302	tolerance ISO 406	projection ISO 1101	product family DUBOX	
ltr	ecn no	dr	date	tolerances unless otherwise specified		mm	title CtW HOUSING DR	
M	F05-0236	DLE	05.08.24	angles	±0.3		dwg no	
N	F05-0286	DLE	05.11.07	linear		sheet 1 of 1		
P	F06-0146	DLE	06.03.10	±2'		size A3		
R	F06-0225	DLE	06.07.07	dr	L.MULIN	65239		
				enfr	P.NIZZI	type CUSTOMER Drawing		
K	F04-0347	DLE	04.12.10	chr	JF.NOTTEAU			
L	F05-0169	DLE	05.04.07	appd	P.NZ			
sheet index	revision sheet							