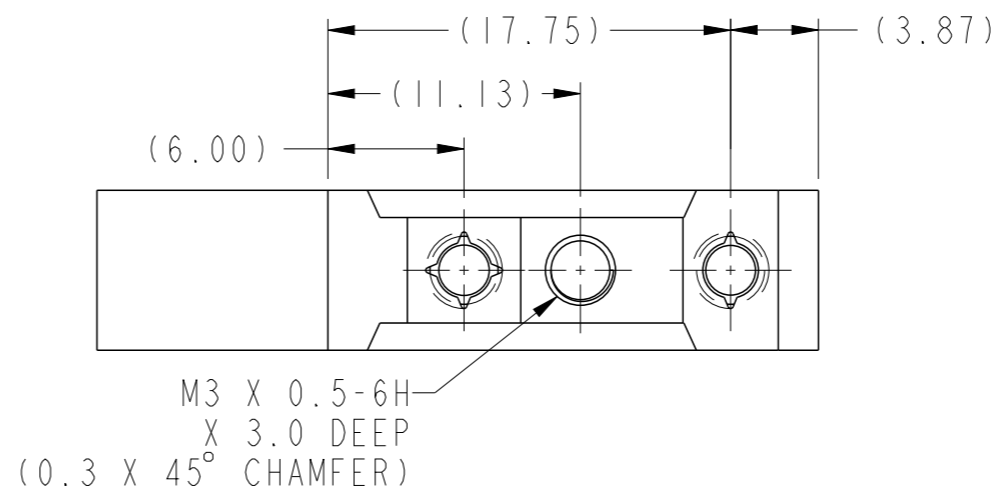
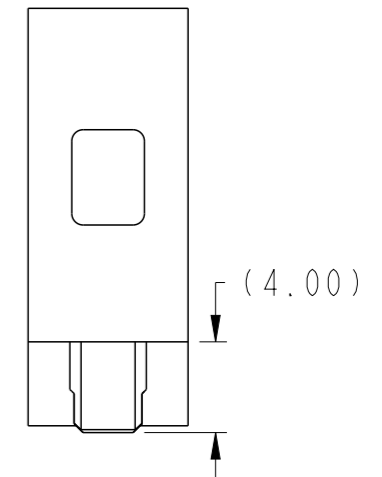
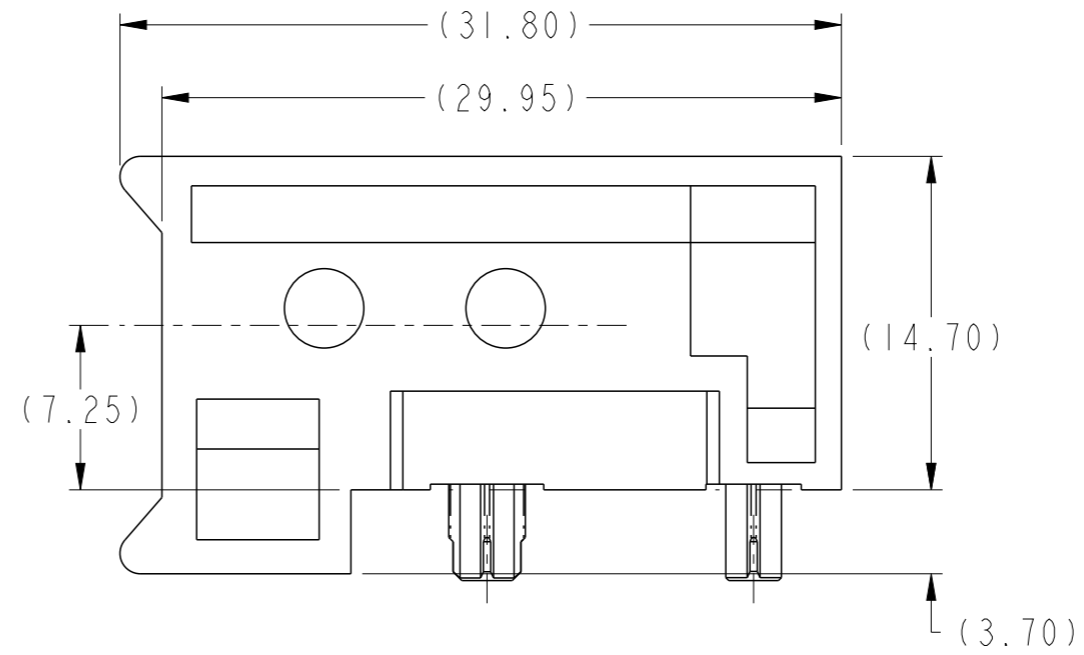
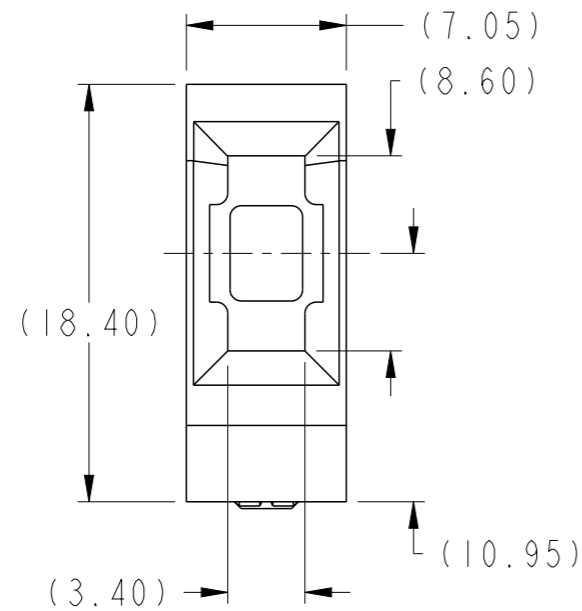
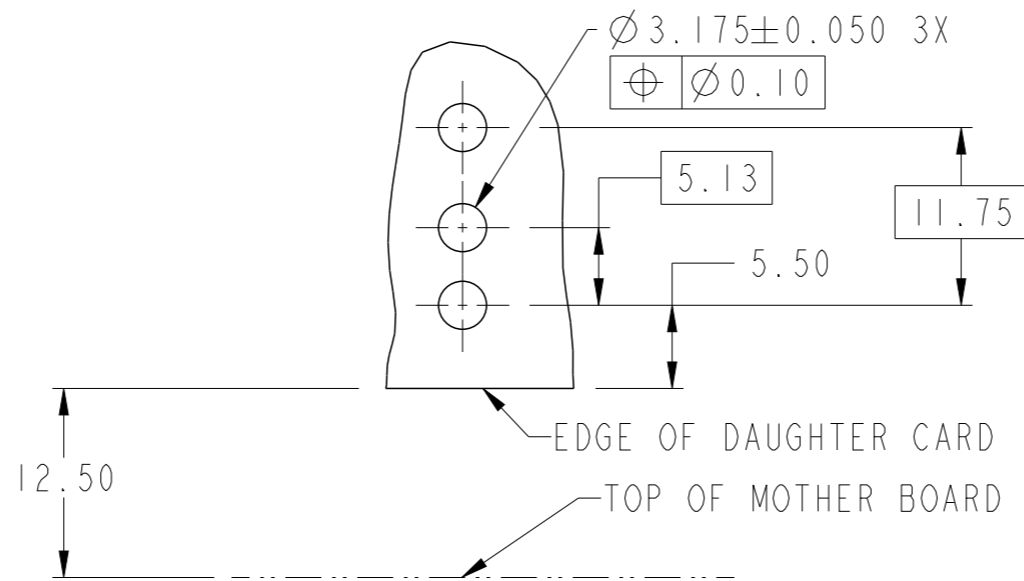


PRODUCT NUMBER
SEE TABLE, SHT 2



| | | | | | | | | | | | |
|---------------------------------------|-------------|---------------------|---------------|---------------------------------|----------------|----|------------------------|----|----------------|-----|------|
| spec ref | | dr | Chen-Hong Tan | 2005/08/18 | projection | MM | size | A3 | scale | 3:1 | |
| tolerance std | | eng | Terry Luo | 2019/04/24 | | | ecn no | | ELX-DG-33324-1 | | |
| ASME Y14.5 | | chr | - | - | | | rel level | | Released | | |
| TOLERANCES UNLESS OTHERWISE SPECIFIED | | appr | Heaven Cen | 2019/04/25 | product family | | AirMax Accessories | | | | |
| surface | 3.20 linear | Amphenol FCI | | 7.2mm GUIDE MODULE, RIGHT ANGLE | | | dwg no 10037909 | | rev F | | |
| | 0.X | | | | | | | | | | ±.3 |
| | 0.XX | | | | | | | | | | ±.10 |
| | 0.XXX | ±.050 | cat. no. | | - | | Product - Customer Drw | | sheet 1 of 2 | | |
| ASME Y14.5 | angular | 0° | ±2° | | | | | | | | |

PRODUCT NUMBER
10037909-101LF



SCALE 2:1

RECOMMENDED PCB LAYOUT NOTE 4

1. MATERIAL: ZINC ALLOY
2. FINISH: ZINC YELLOW CHROMATE
3. APPLICATION SPECIFICATION: GS-20-045
- ④ REFER TO CUSTOMER DRAWING 10035911 FOR INFORMATION REGARDING PBC LAYOUT OF POWER AND GUIDE MODULES RELATIVE TO SIGNAL MODULES
5. THIS PRODUCT MEETS EUROPEAN UNION DIRECTIVES AND OTHER COUNTRY REGULATIONS AS DESCRIBED IN GS-22-008.
6. PACKAGING MEETS GS-14-920 LEAD FREE LABELING SPECIFICATION.

| | | | | | | | | | | |
|---------------------------------------|-------------|-------|---------------|---------------------------------|----------------|------------------------|--------------------|--------------|----------------|-----|
| spec ref | | dr | Chen-Hong Tan | 2005/08/18 | projection | MM | size | A3 | scale | 2:1 |
| tolerance std | | eng | Terry Luo | 2019/04/24 | | | ecn no | | ELX-DG-33324-1 | |
| ASME Y14.5 | | chr | - | - | | | rel level | | Released | |
| TOLERANCES UNLESS OTHERWISE SPECIFIED | | appr | Heaven Cen | 2019/04/25 | product family | | AirMax Accessories | | | |
| surface | 3.20 linear | | | 7.2mm GUIDE MODULE, RIGHT ANGLE | | dwg no | 10037909 | | rev | F |
| ASME Y14.5 | angular | 0.X | ±.3 | cat. no. | - | Product - Customer Drw | | sheet 2 of 2 | | |
| | | 0.XX | ±.10 | | | | | | | |
| | | 0.XXX | ±.050 | | | | | | | |
| | | 0° | ±2° | | | | | | | |