

F

E

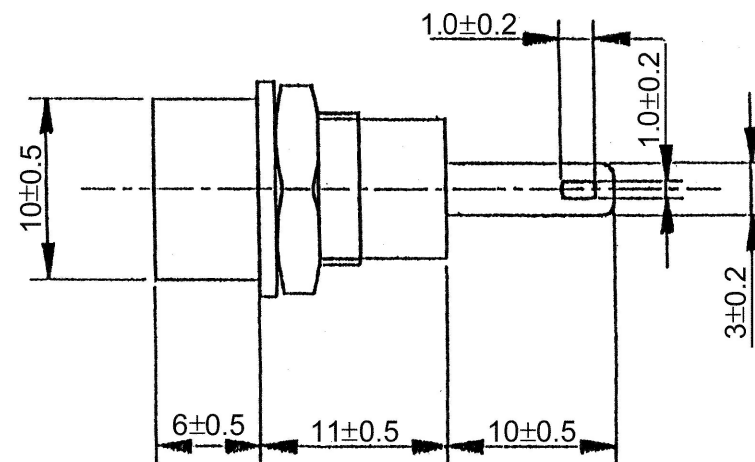
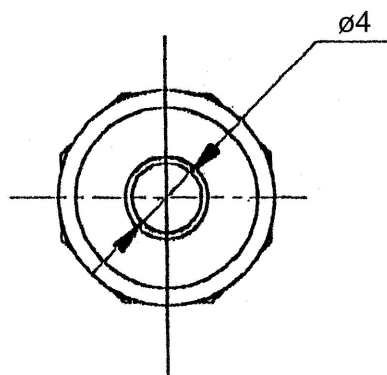
D

C

B

A

RoHS STANDARD



Technical requirement :

- 1 . This product should meet EU RoHS related requirement.
- 2 . The surface of plastic part should be without any crackle such as burr,lack,and so on phenomenon.
- 3 . The surface of metal part should be without any defect such as scour,nick,oxidation and plating problem.
- 4 . The electronic performance should be the same as spec.
- 5 . The un-specified tolerance is :  $0 \sim 1.5 \pm 0.1$   
 $1.5 \sim 20 \pm 0.2$

**Specification :**

Contact Resistance : 10M ohm Max  
Insulation Resistance : 100M ohm Min At DC 500V  
Withstand Voltage : AC 500V For One Minute

**DCI** DRAGON CITY INDUSTRIES LIMITED

PART NAME		BANANA JACK	TOLERANCE : $\pm$	DESIGN	K.W LAW	REMARK	SCALE
PART NO.		BP-022-EN	UNIT: MM	DRAWING	W.K YEUNG	REMARK	MATERIAL
				CHECK	K.L WONG	REMARK	DWG. NO. A408111415
				APPROVAL	K.W CHAN	REMARK	SHEET

F

E

D

C

B

A