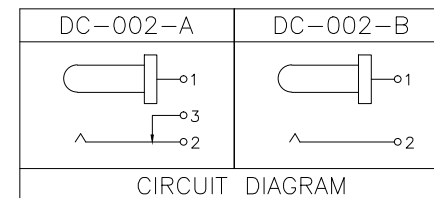
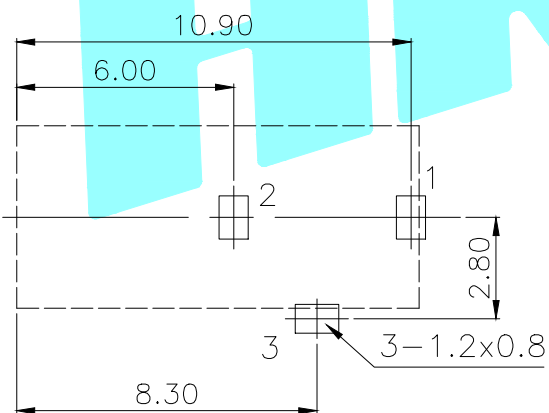


P.C.B LAYOUT(Copper-side view)



Model No.	1	2	3	4
PIN	φ0.65	φ1.0	φ1.3	φ1.65
DC PLUG O.D.	φ2.35	φ3.5	φ3.5	φ4.0

Rating:0.5A 30V DC  
 Contact Resistance:100 mΩ Max.  
 Operating temperature:-20℃~70℃  
 Operating force:3~20N  
 Operating Life:5,000cycles

②	Terminal	3	Phosphor bronze	Ag Plating				
①	Housing	1	Nylon	Black				
ITEM	PART NAME	TER'NO.	QTY.	MATERIAL	FINISHING	REMARK		
APPROVALS			DATE	ELECTRONICS CO.,LTD PHONE JACKES DC-002				
DRAWN	J.X.Zhang	2018/07/31						
CHECKED								
APPROVALS								
TOLERANCES ARE			30~以上 ±0.30 10~30 ±0.20 5~10 ±0.15 ~ 5 ±0.10	ANGLE	UNIT: mm	SCALE: 1:1	PROJ:	
ECN NO.	REV.	DATE.	DESCRIPTION.	CHANGE.	CHECK.	APPRO.	DRAWING NO.	SHEET 1 OF 1

_____	A	_____	NEW	_____	_____	_____
ECN NO.	REV.	DATE.	DESCRIPTION.	CHANGE.	CHECK.	APPRO.