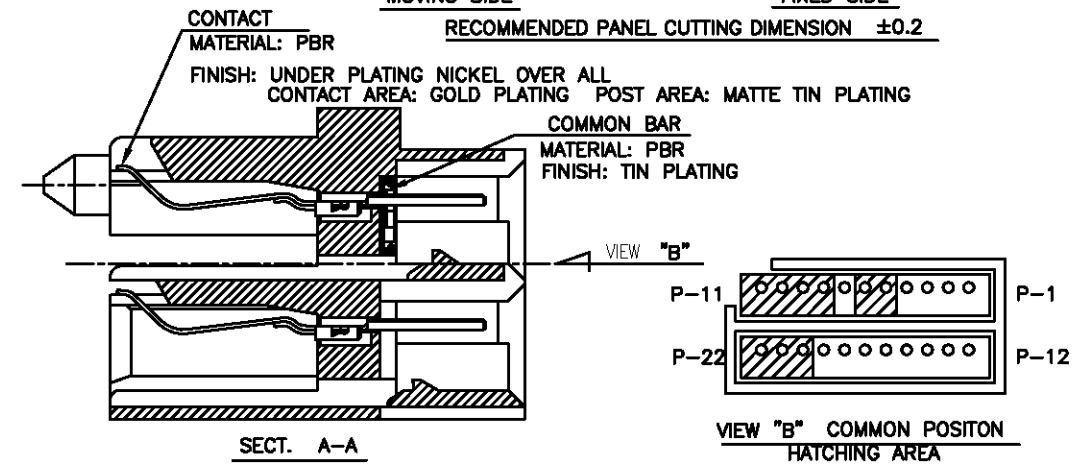
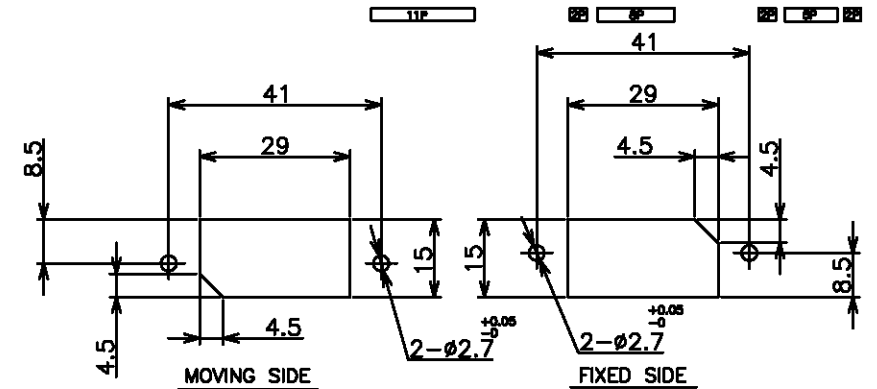


LOG	ES	DIST	00	REVISIONS			
P	LTR	DESCRIPTION		DATE	DMN	APVD	
A		REVISED FB00-0217-04		16DEC04	H.H	I.E	

- NOTES:
- 1 APPLIED USED TAPPING SCREW P/N: 176848-1
 - 2 MATING CONN. OF POST SIDE: AMP CT CONN. HAS FOLLOWING PATTERN



— —	CUT	4.4	J	5-292178-1
— —	WITH	3.4	P	292178-2
— —	— —	3.4	P	292178-1
COMMON TAB	CORNER CUT	D	HSG TYPE	P/N

THIS DRAWING IS A CONTROLLED DOCUMENT.

DIMENSIONS: MM	TOLERANCES UNLESS OTHERWISE SPECIFIED	DMN J.JIANG	OSFEB03	 Tyco Electronics Corporation Shanghai, P.R.China,200233												
	<table border="1"> <tr><td>0 PLC</td><td>±</td></tr> <tr><td>1 PLC</td><td>±</td></tr> <tr><td>2 PLC</td><td>±</td></tr> <tr><td>3 PLC</td><td>±</td></tr> <tr><td>4 PLC</td><td>±</td></tr> <tr><td>ANGLES</td><td>±</td></tr> </table>	0 PLC	±		1 PLC	±	2 PLC	±	3 PLC	±	4 PLC	±	ANGLES	±	CHK S.YAO	OSFEB03
		0 PLC	±													
		1 PLC	±													
2 PLC	±															
3 PLC	±															
4 PLC	±															
ANGLES	±															
MATERIAL	FINISH	APVD T.SASAKI	OSFEB03													
SEE SHEET	SEE SHEET	PRODUCT SPEC	108-60021	NAME												
		APPLICATION SPEC		22P MINI-DRAWER CONNECTOR												
		WEIGHT		RESTRICTED TO												
		CUSTOMER DRAWING	A3 00779 C=292178													
			SCALE NTS	SHEET 1 OF 1												
				REV A												