

61083-AA B C D E G W V F F

AA	NO. OF POSITIONS
02	2X10
04	2X20
06	2X30
08	2X40
10	2X50
12	2X60
14	2X70
16	2X80
18	2X90
20	2X100

NOTE 10

G	DATE CODE
/	STANDARD, NOT PRINT D/C
P	PRINT DATE CODE

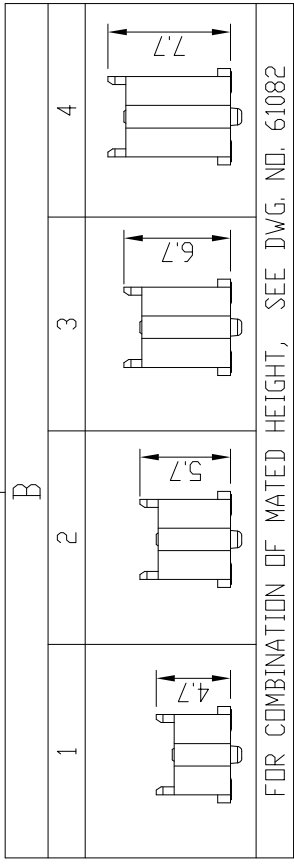
W	TRANSPORT CODE
/	NOT MANDATORY
W	FOR OCEAN SHIPPING

V	MANDATORY CODE
/	STANDARD, NOT MANDATORY P/N
V	ONLY FOR DEDICATED CUSTOMER
H	ONLY FOR DEDICATED CUSTOMER
L	ONLY FOR DEDICATED CUSTOMER

E	PACKAGING
0	TUBE WITHOUT METAL CAP
2	T&R WITH METAL CAP
9	TUBE WITH METAL CAP
6	T&R WITH KAPTON TAPE
7	T&R WITH PLASTIC CAP
Q	T&R WITHOUT CAP

NOTE 10  
NOTE 10  
NOTE 11  
NOTE 10

D	PEG
0	YES
2	NO



NOTE:

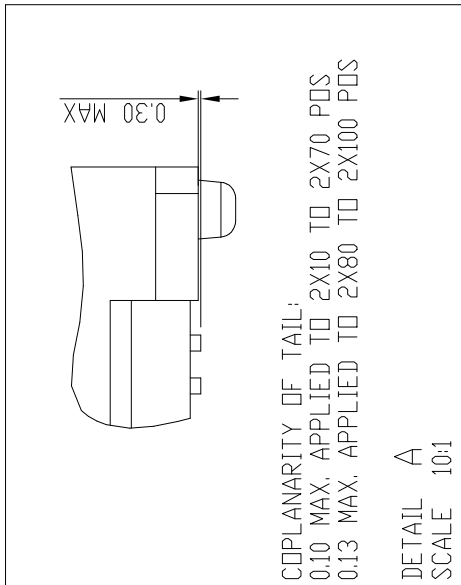
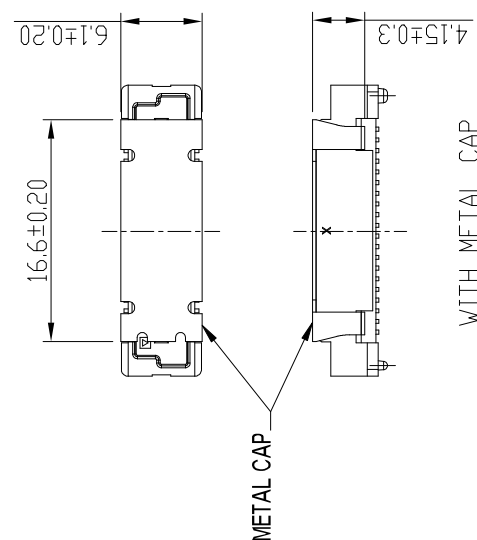
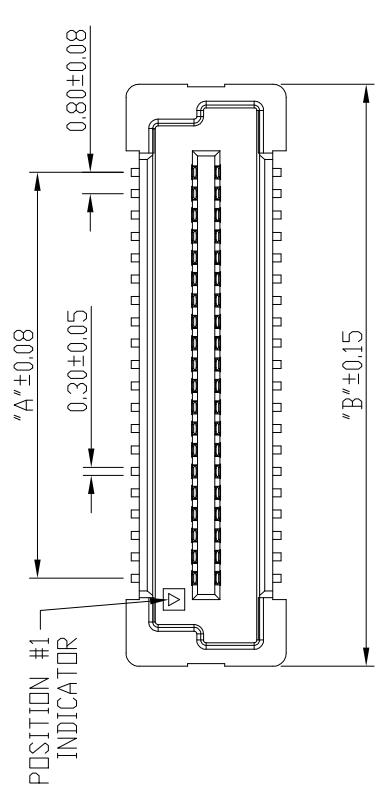
- MATERIAL: HOUSING: G.F. LCP, NATURAL, UL94-V0  
TERMINAL: BRASS
- PLATING: AS SHOWN IN TABLE.
- SEE GS-12-547 FOR PRODUCT SPEC.
- PACKAGING OPTION 2: NOT ALL SIZES ARE AVAILABLE. CHECK WITH FACTORY.
- THIS PRODUCT MEETS THE EUROPEAN UNION DIRECTIVES AND OTHER COUNTRY REGULATIONS AS DESCRIBED IN GS-22-008.
- THE HOUSING WILL WITHSTAND EXPOSURE UP TO 260~ PEAK TEMPERATURE FOR 30 SECONDS IN A CONVECTION, INFRA-RED OR VAPOR PHASE REFLOW OVEN.
- PLATING OPTION "4" IS LEADFREE ALTERNATIVE FOR OPTION "0", AND OPTION "6" IS LEADFREE ALTERNATIVE FOR OPTION "1".
- HIGH PRECISION COPLANARITY IS AVAILABLE FOR 2X80 TO 2X100 POS, ALL HEIGHTS. PLS REFER TO PRINT 10069525.
- THE P/N 61083-\*\*\*\*\* OR 61083-\*\*\*\*\*LF NOT PRINT DATE CODE.  
THE P/N 61083-\*\*\*\*\*P OR 61083-\*\*\*\*\*PLF NEED PRINT DATE CODE.
- POSITION 2X10 TYPE ONLY APPLY TO PLUG 1 AND PLUG 3.  
PACKAGING WITH METAL CAP AND PLASTIC CAP DOES NOT APPLY TO 2X10 POSITION.
- KAPTON TAPE ONLY APPLY TO POSITION 2X10~2X20.

C	PLATING	FF
0	GOLD 0.2µm MIN ON CONTACT AREA ; TIN LEAD 2.5µm MIN ON SOLDER TAIL NICKEL UNDERPLATE OVERALL 1.27µm MIN	NONE
1	GOLD FLASH (0.065µm MIN) OVER PALLADIUM-NICKEL 0.69µm MIN ON CONTACT AREA ; TIN LEAD 2.5µm MIN ON SOLDER TAIL NICKEL UNDERPLATE OVERALL 1.27µm.	NONE
4	GOLD 0.2µm MIN ON CONTACT AREA ; PURE MATT TIN 2.5µm MIN ON SOLDER TAIL; NICKEL UNDERPLATE OVERALL 1.27µm. (LEADFREE PLATING)	LF
5	GOLD 0.38µm MIN ON CONTACT AREA ; MATT PURE TIN 2.5µm MIN ON SOLDER TAIL; NICKEL UNDERPLATE OVERALL 1.27µm MIN (LEADFREE PLATING)	LF
6	GOLD FLASH (0.065µm MIN) OVER PALLADIUM-NICKEL 0.69µm MIN ON CONTACT AREA ; PURE MATT TIN 2.5µm MIN ON SOLDER TAIL NICKEL UNDERPLATE OVERALL 1.27µm. (LEADFREE PLATING)	LF
7	GOLD 0.76µm MIN ON CONTACT AREA ; PURE MATT TIN 2.5µm MIN ON SOLDER TAIL; NICKEL UNDERPLATE OVERALL 1.27µm. (LEADFREE PLATING)	LF
9	GOLD 0.2µm MIN ON CONTACT AREA ; GOLD 0.05µm MIN ON SOLDER TAIL NICKEL UNDERPLATE OVERALL 1.27µm. (LEADFREE PLATING)	LF

mat'l. code		surface	tolerance	projection	product family
ISO 1302	ISO 406	ISO 1101	ISO 1101	BERGSTAK HPL545	
tolerances unless otherwise specified		mm		title	
AP EX-N-33922 Bob	2019-07-05	0±.2	mm	PLUG ASSY	
AR EX-N-34667 Bob	2019-09-26	.00±.15	mm	BERGSTAK 0.8MM	
AK EX-N-26185 Bob	2017-02-17 dr	.000±.10	scale 1:1	dwg no	
AL EX-N-26381 Bob	2017-03-17 engr			sheet 1 of 6 size	
AM EX-N-30296 Bob	2018-05-28 chr			61083	
AN EX-N-30741 Bob	2018-11-22 oppd			Product Customer Drawing	
sheet revision	AL AM AN AP AR				
index sheet	1~6 1~6 1~6 1				

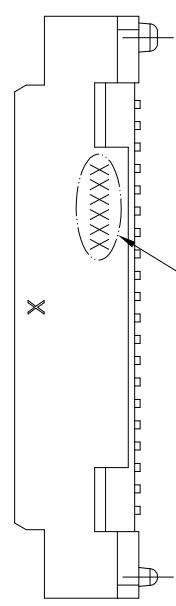
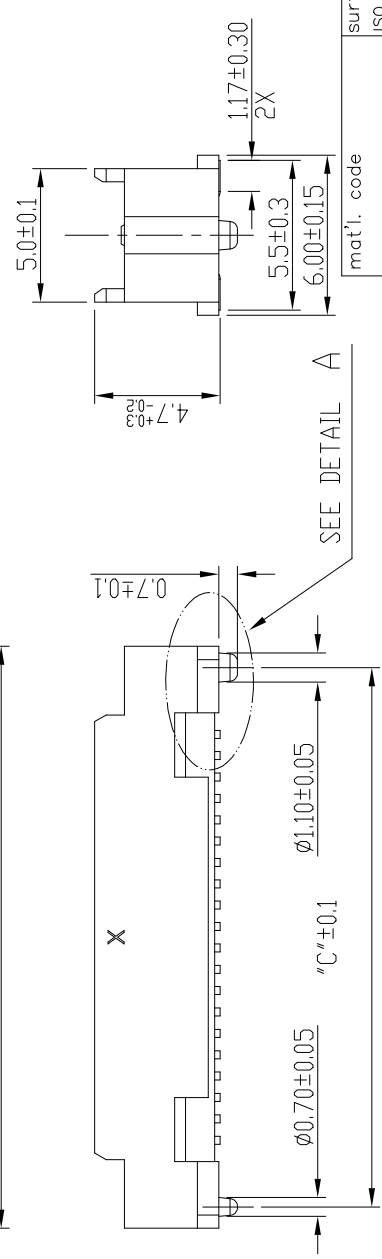
1 2 3 4 5 6

PRODUCT NO.	NO. OF POSITION	DIMENSION		
		A	B	C
61083-021***	2X10	7.2	13.8	12.2
61083-041***	2X20	15.2	21.8	20.2
61083-061***	2X30	23.2	29.8	28.2
61083-081***	2X40	31.2	37.8	36.2
61083-101***	2X50	39.2	45.8	44.2
61083-121***	2X60	47.2	53.8	52.2
61083-141***	2X70	55.2	61.8	60.2
61083-161***	2X80	63.2	69.8	68.2
61083-181***	2X90	71.2	77.8	76.2
61083-201***	2X100	79.2	85.8	84.2



DATE CODE: XXXXXX  
 DAY(01~31)  
 MONTH(01~12)  
 YEAR(00~99)

DETAIL AA



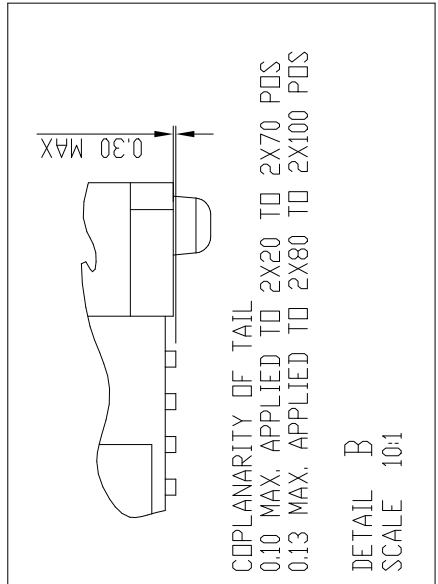
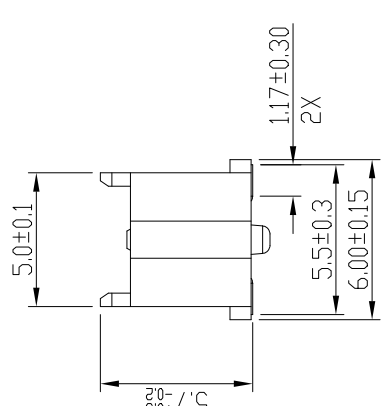
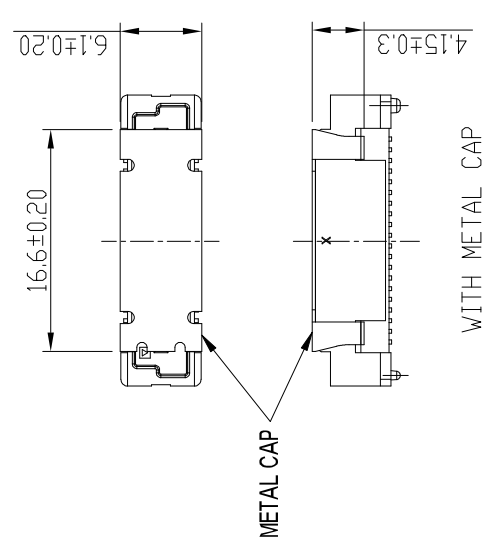
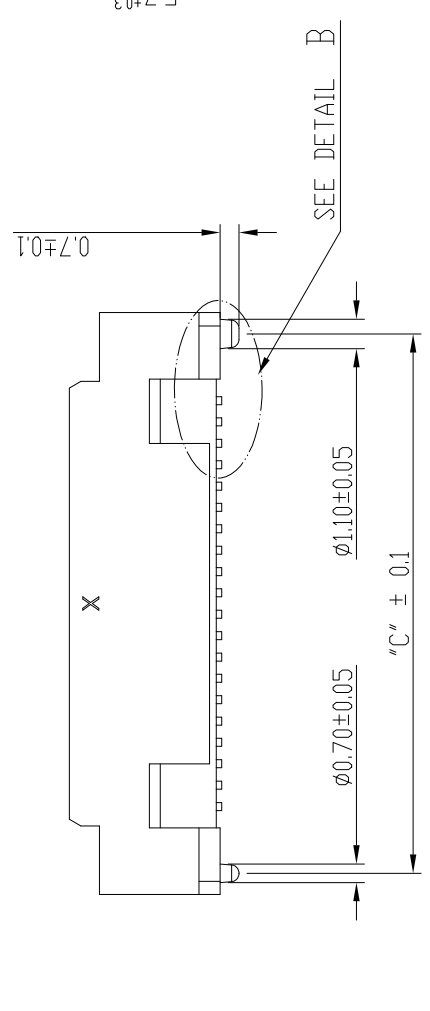
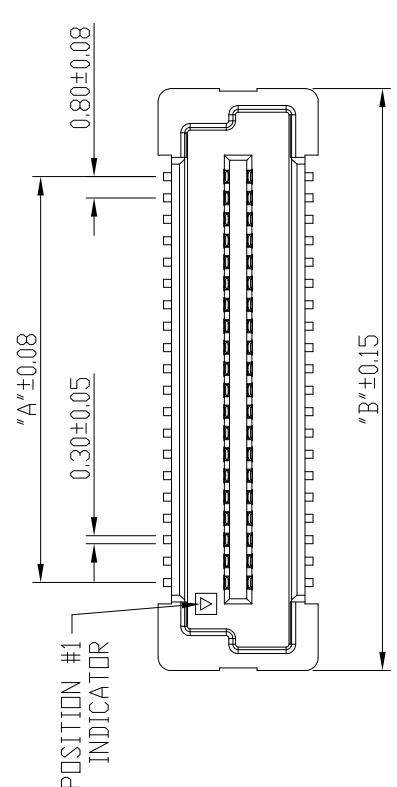
PLUG 1

surface	ISO 1302	tolerance	ISO 406	ISO 1101	projection	BERGSTAK HPL545
tolerances unless otherwise specified		linear	.04±.2	mm		
angles	0°±3'	linear	.00±.15	mm		
dr	GuoMin Sun	2014-10-21	.000±.10	scale	1:1	
engr	Bob Gu	2019-09-26				
chr	LQ Lei	2019-09-26				
appd	Tim Yao	2019-09-26				
sheet index	revision AR	sheet 1				

mat'l. code	product family	BERGSTAK HPL545
itr	title	PLUG ASSY
ecn	BERGSTAK	0.8MM
no	dwg no	sheet2 of 6
dr	date	61083
date	type	Product Customer Drawing

1 2 3 4 5 6

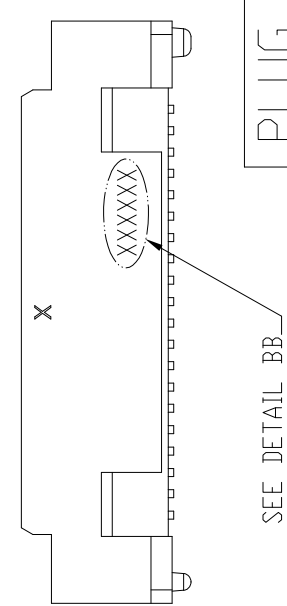
PRODUCT NO.	NO. OF POSITION	DIMENSION		
		A	B	C
61083-042***	2X20	15.2	21.8	20.2
61083-062***	2X30	23.2	29.8	28.2
61083-082***	2X40	31.2	37.8	36.2
61083-102***	2X50	39.2	45.8	44.2
61083-122***	2X60	47.2	53.8	52.2
61083-142***	2X70	55.2	61.8	60.2
61083-162***	2X80	63.2	69.8	68.2
61083-182***	2X90	71.2	77.8	76.2
61083-202***	2X100	79.2	85.8	84.2



DETAIL B  
SCALE 10:1

DATE CODE: XXXXXX  
DAY(01~31)  
MONTH(01~12)  
YEAR(00~99)

DETAIL BB

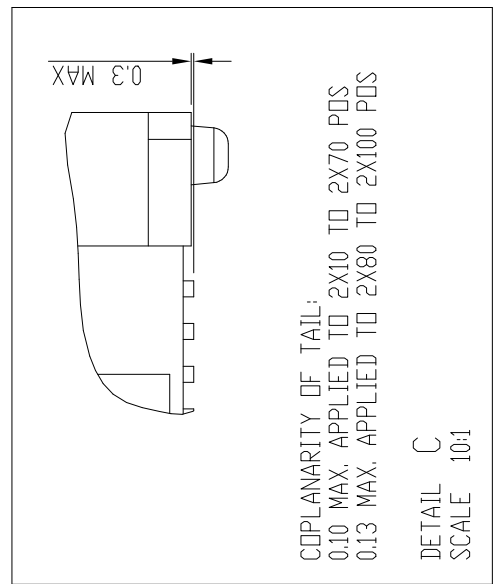
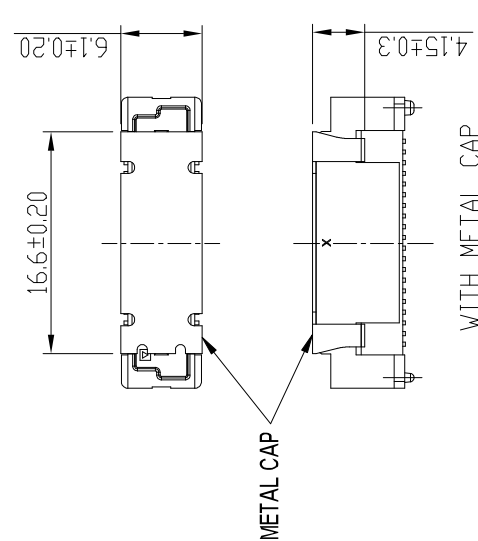
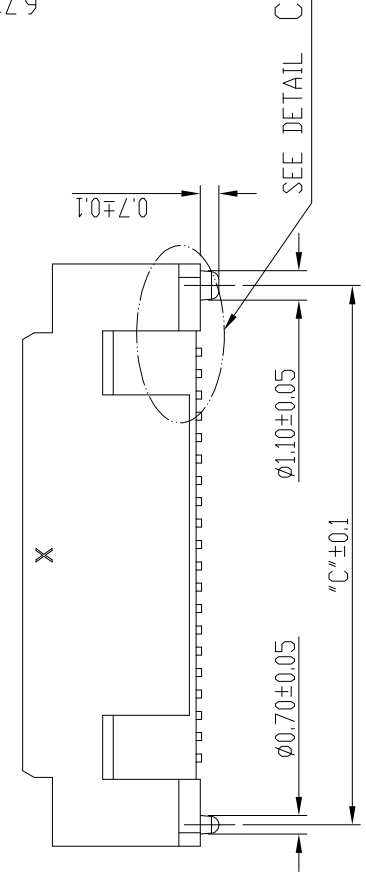
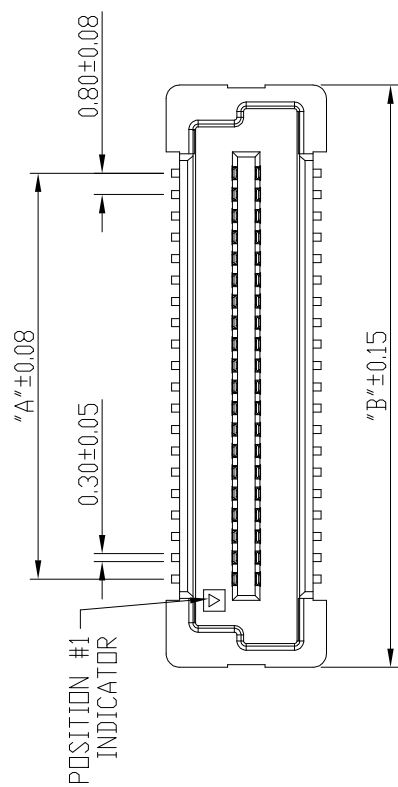


PLUG 2

mat'l. code	surface	tolerance	projection	product family
	ISO 1302	ISO 406	ISO 1101	BERGSTAK HPL545
ltr	ecn no	date	tolerances unless otherwise specified	title
AR			.04 ± .2 linear mm	PLUG ASSY BERGSTAK 0.8MM
	angles		0° ± 3'	dwg no
	dr	GuoMin Sun	.000 ± .10	sheet 3 of 6
	engr	Bob Gu	2014-10-21	61083
	chr	LQ Lei	2019-09-26	A3
	appd	Tim Yao	2019-09-26	type
sheet index	revision	AR		Product Customer Drawing
	sheet	1		

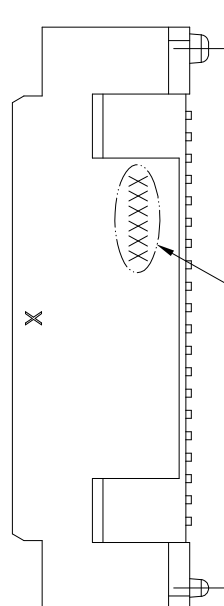
1 2 3 4 5 6

PRODUCT NO.	ND. OF POSITION	DIMENSION		
		A	B	C
61083-023***	2X10	7.2	13.8	12.2
61083-043***	2X20	15.2	21.8	20.2
61083-063***	2X30	23.2	29.8	28.2
61083-083***	2X40	31.2	37.8	36.2
61083-103***	2X50	39.2	45.8	44.2
61083-123***	2X60	47.2	53.8	52.2
61083-143***	2X70	55.2	61.8	60.2
61083-163***	2X80	63.2	69.8	68.2
61083-183***	2X90	71.2	77.8	76.2
61083-203***	2X100	79.2	85.8	84.2



DATE CODE: XXXXXX  
 DAY(01~31)  
 MONTH(01~12)  
 YEAR(00~99)

DETAIL CC

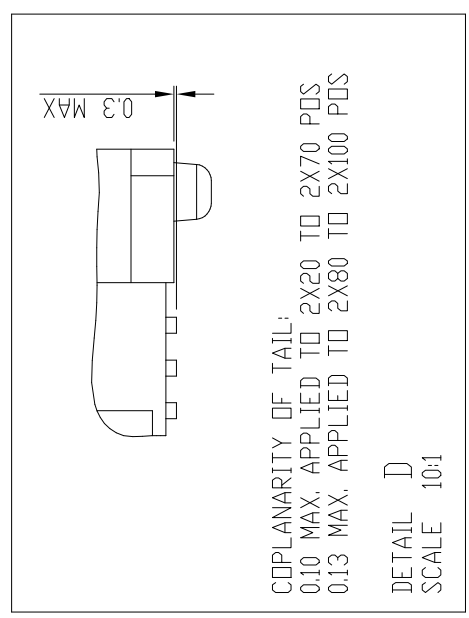
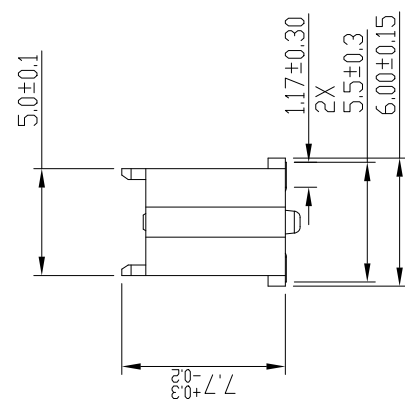
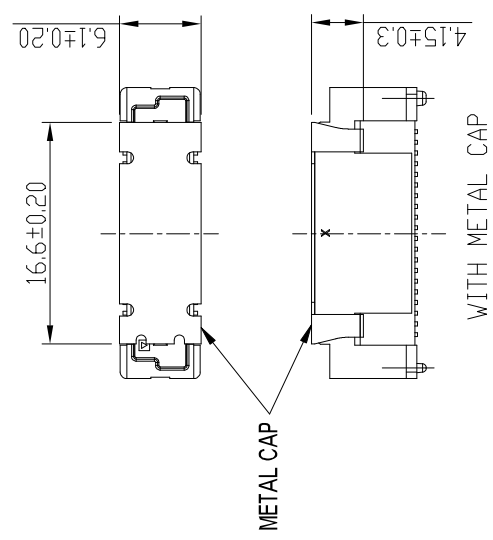
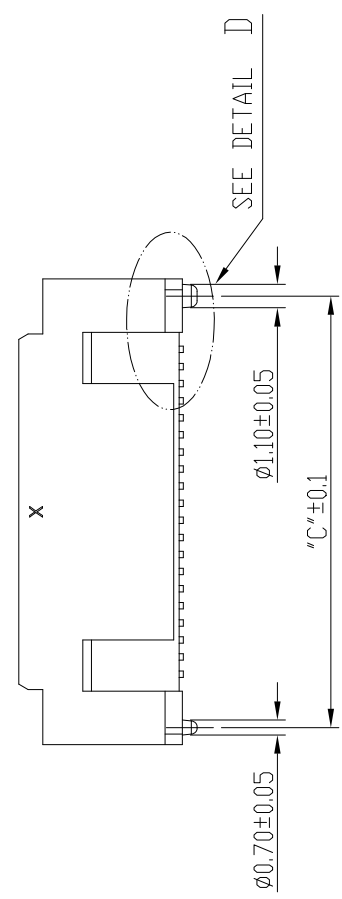
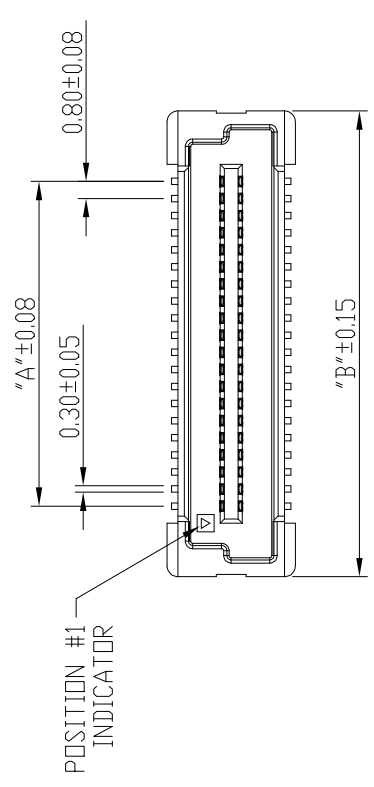


PLUG 3

mat'l. code		surface	tolerance	projection	product family
ISO 1302	ISO 406	ISO 1101	ISO 1101	BERGSTAK HPL545	
tolerances unless otherwise specified		mm		title	
angles	linear	mm	mm	PLUG ASSY	
0°±3'	.00±.15	scale 1:1		BERGSTAK 0.8MM	
dr	GuoMin Sun	2014-10-21	sheet 4 of 6	size	
engr	Bob Gu	2019-09-26	61083	A3	
chr	LQ Lei	2019-09-26			
appd	Tim Yao	2019-09-26			
sheet index	revision AR	sheet 1			

1 2 3 4 5 6

PRODUCT NO.	NO. OF POSITION	DIMENSION		
		A	B	C
61083-044***	2X20	15.2	21.8	20.2
61083-064***	2X30	23.2	29.8	28.2
61083-084***	2X40	31.2	37.8	36.2
61083-104***	2X50	39.2	45.8	44.2
61083-124***	2X60	47.2	53.8	52.2
61083-144***	2X70	55.2	61.8	60.2
61083-164***	2X80	63.2	69.8	68.2
61083-184***	2X90	71.2	77.8	76.2
61083-204***	2X100	79.2	85.8	84.2

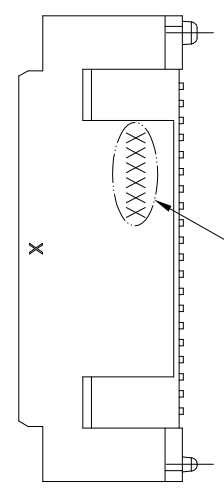


COPLANARITY OF TAIL:  
0.10 MAX. APPLIED TO 2X20 TO 2X70 PDS  
0.13 MAX. APPLIED TO 2X80 TO 2X100 PDS

DETAIL D  
SCALE 10:1

DATE CODE: XXXXXX  
 DAY(01~31)  
 MONTH(01~12)  
 YEAR(00~99)

DETAIL DD



SEE DETAIL DD

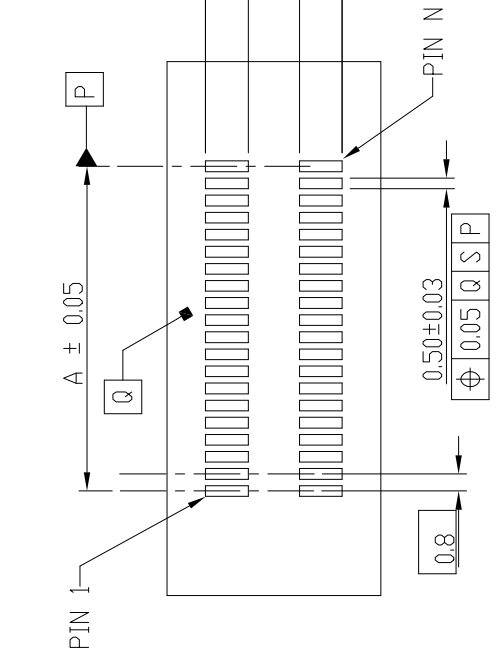
PLUG 4

mat'l. code	surface	tolerance	projection	product family
	ISO 1302	ISO 406	ISO 1101	BERGSTAK HPL545
ltr	ecn	no	dr	date
AR				
tolerances unless otherwise specified				
angles				
linear				
0°±3'				
.00±.10				
.00±.15				
.01±.2				
scale 1:1				
engr				
chr				
appd				
sheet index				
revision AR				
sheet 1				
dwg no				
sheet 5 of 6				
size				
A3				
type				
Product Customer Drawing				

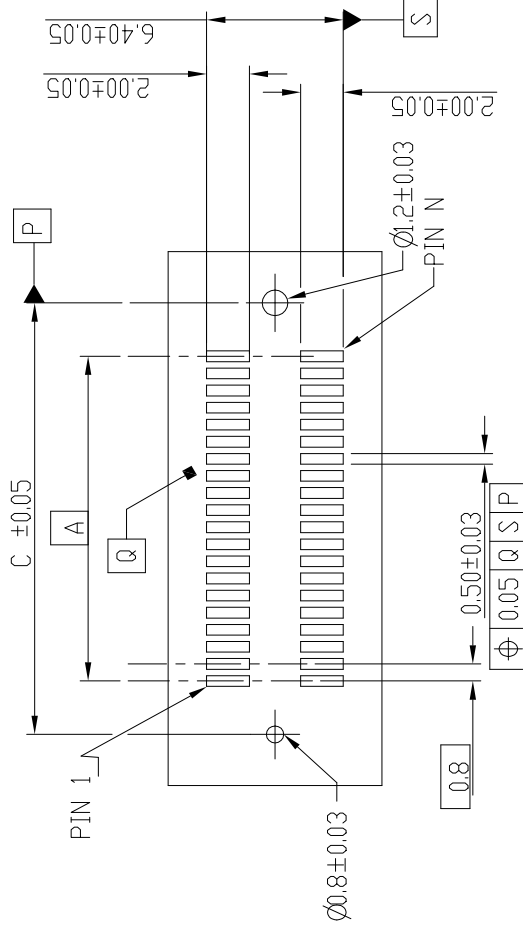
title  
PLUG ASSY  
BERGSTAK 0.8MM

Amphenol  
FCI

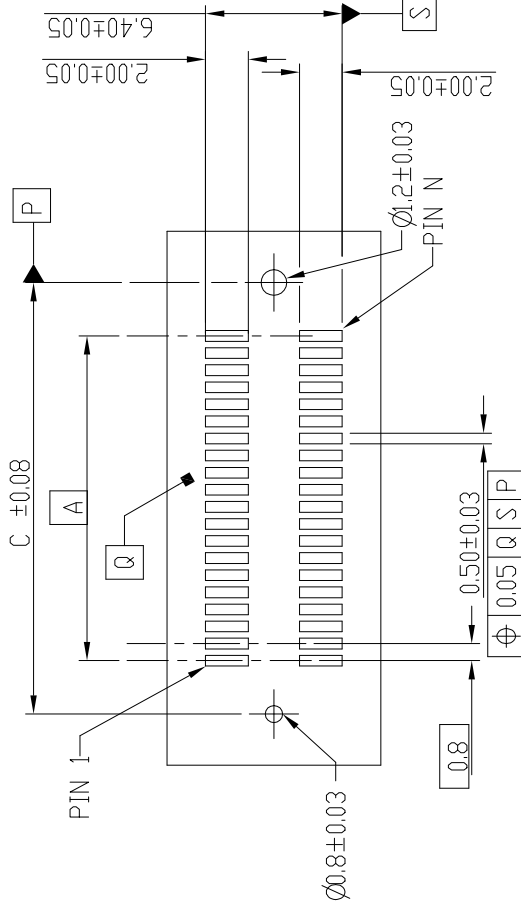
FOR PLUG 1/2/3/4



RECOMMENDED PCB LAYOUT WITHOUT PEG FOR  
NO. OF POS 2X10, 2X20, 2X30, 2X40, 2X50 2X60



RECOMMENDED PCB LAYOUT WITH PEG FOR  
NO. OF POS 2X10, 2X20, 2X30, 2X40, 2X50 2X60



RECOMMENDED PCB LAYOUT WITH PEG FOR  
NO. OF POS 2X70, 2X80, 2X90, 2X100

mat'l. code		surface / tolerance		projection		product family	
ISO 1302	ISO 406	ISO 1101	ISO 1101	BERGSTAK HPL545		title	
tolerances unless otherwise specified		mm		PLUG ASSY			
angles	linear	.04±.2	scale 1:1	BERGSTAK 0.8MM			
0°±3'	.00±.15	.000±.10		dwg no		sheet 6 of 6 size	
dr	GuoMin Sun	2014-10-21		61083		A3	
engr	Bob Gu	2019-09-26		type Product Customer Drawing			
chr	LQ Lei	2019-09-26					
appd	Tim Yao	2019-09-26					
sheet index	revision AR	sheet 1					