

Highest Ballon Number: 130  
 Removed Ballon Number:

REV F - 2006-04-17



Copyright FCI.



Copyright FCI.

C

D

E

F

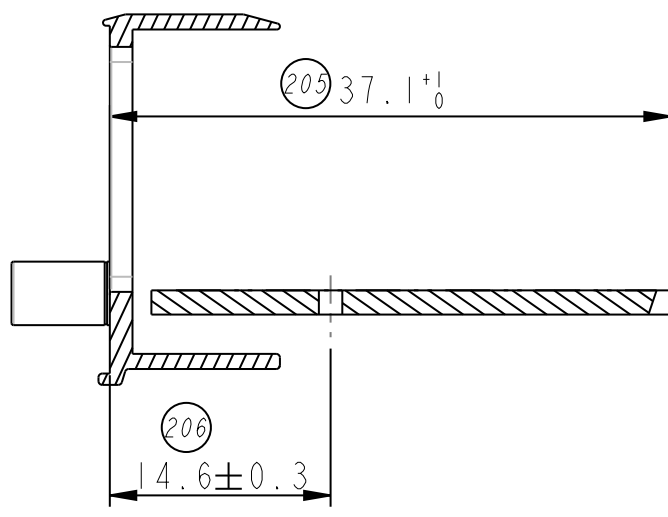
207  $30 \pm 0.1$

203  $38 \pm 0.1$

FIXED FOR 72 PAIR AND 48 PAIR APPLICATION  
MINIMUM FOR 24 PAIR APPLICATION

SEE DETAIL

KEEP OUT ZONE



Highest Ballon Number: 219  
Removed Ballon Number:

REV F - 2006-04-17



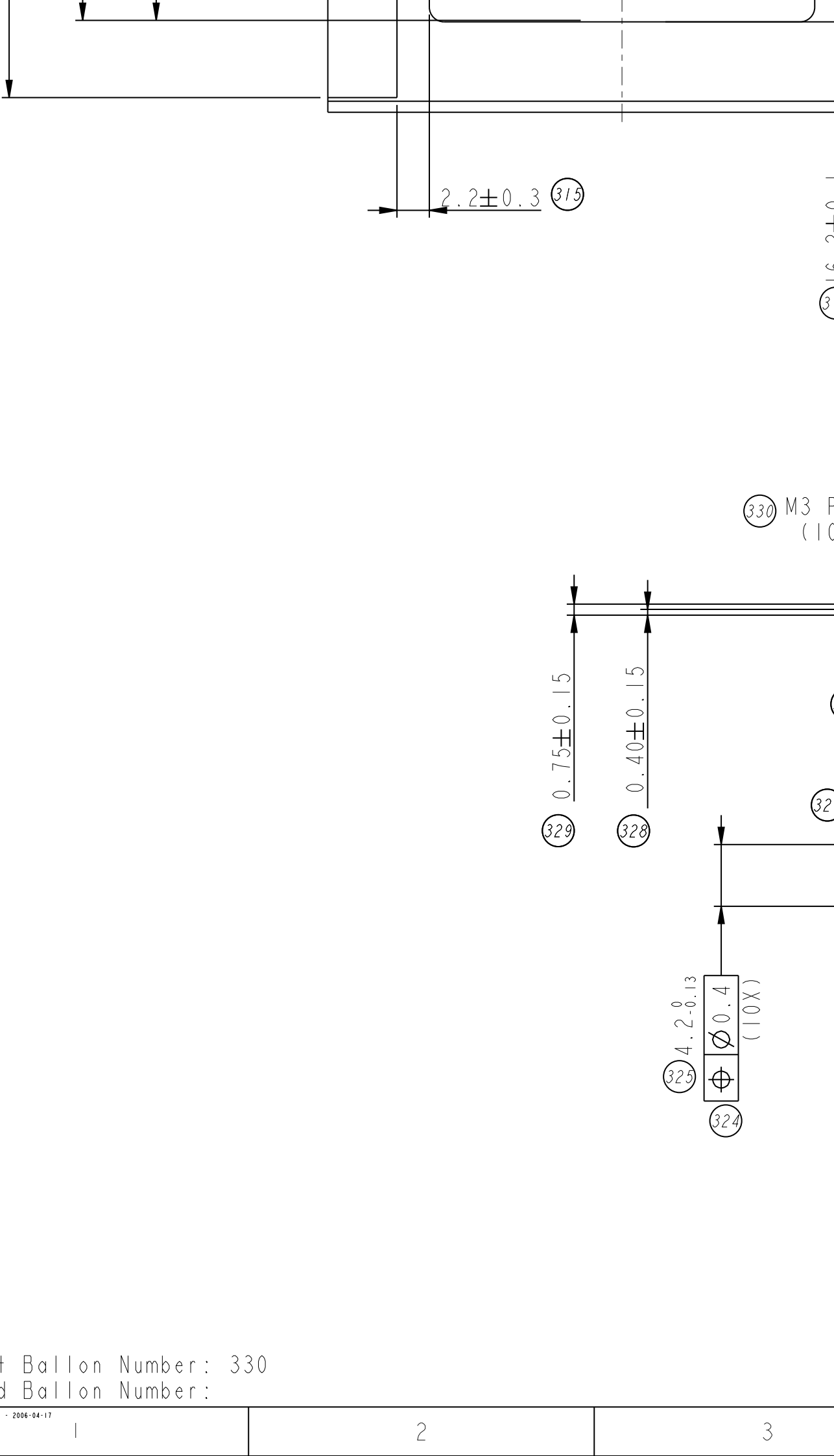
Copyright FCI.

C

D

E

F



Highest Ballon Number: 330  
Removed Ballon Number:

REV F - 2006-04-17

1

2

3

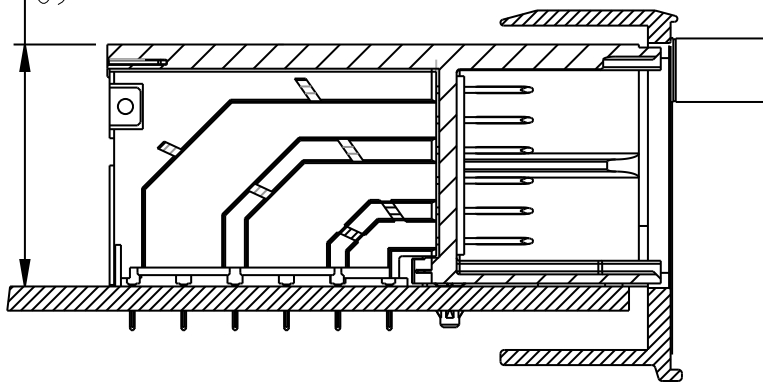
C

D

E

F

TYPICAL = 16  
SEE NOTE 7



SECTION A-A  
SCALE 2:1

S.No	DESCRIPTION
1	BOARD CONNECTOR
2	PCB
3	FRONT PANEL
4	PEM
5	STICKERS

