



**SCHROFF**

Project - 0 item(s)

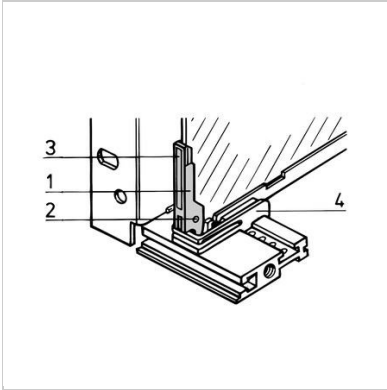
**MY PROJECT LIST**

- PRODUCTS
- APPLICATIONS
- INDUSTRIES
- NEW PRODUCTS
- CONFIGURATORS
- Products ▾
- Search
- 🔍

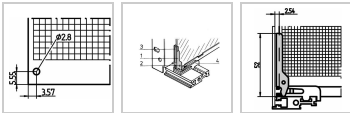
Home > PCB inserter A (Inpac)



# PCB inserter A (Inpac)



Other Views



**Catalog Number: 60817-096**

[Back To Product](#)

- Mounts behind front panel, for PCB thickness 1.6 mm
- Insertion and extraction
- Can be labeled

**Product family:**

- EuropacPRO
- Inpac

**Type:**

Individual Components

**Individual Component Type:**

Guide Rails & Accessories



**Select product specifications before modifying or adding to project list or requesting a quote.**

[Clear Selection](#)

Quantity

**Add Item to Project List +**

**Recently Viewed**

**PCB inserter A (Inpac)**

## Technical Data

<b>Qty</b>	1 piece (SPQ 10)
<b>Delivery is exclusively made in Standard Pack Quantity (SPQ)</b>	10
<b>Color</b>	red
<b>Material</b>	PBT, UL 94 V-0
<b>Item</b>	1
<b>Description</b>	PCB handle A

## Accessories

	Label strips, 100 pieces	21100-672	<b>Add Item to Project List +</b>
	Pivot pin, 100 units	21100-671	<b>Add Item to Project List +</b>

---

**EXPLORE**

About Us  
Services & Capabilities  
News & Events  
Newsletter Subscriptions  
Strategic Partnerships  
Investor Relations

**CONTACT**

Customer Service  
Find a Sales Office or Distributor  
Global Locations  
Product Compliance & Certifications  
Partner Login

**DOWNLOAD**

Download Center  
Reference Projects  
Videos  
Product Configurators  
Warranties and Terms of Sale & Procurement

© 2018 nVent. All rights reserved | [Privacy Policy](#) | [Terms of Use](#) | [Cookie Policy](#) | [Imprint](#) | [Site Map](#)

## Connect With Us

