

42660-2 ✓ ACTIVE

FASTON | FASTON 250

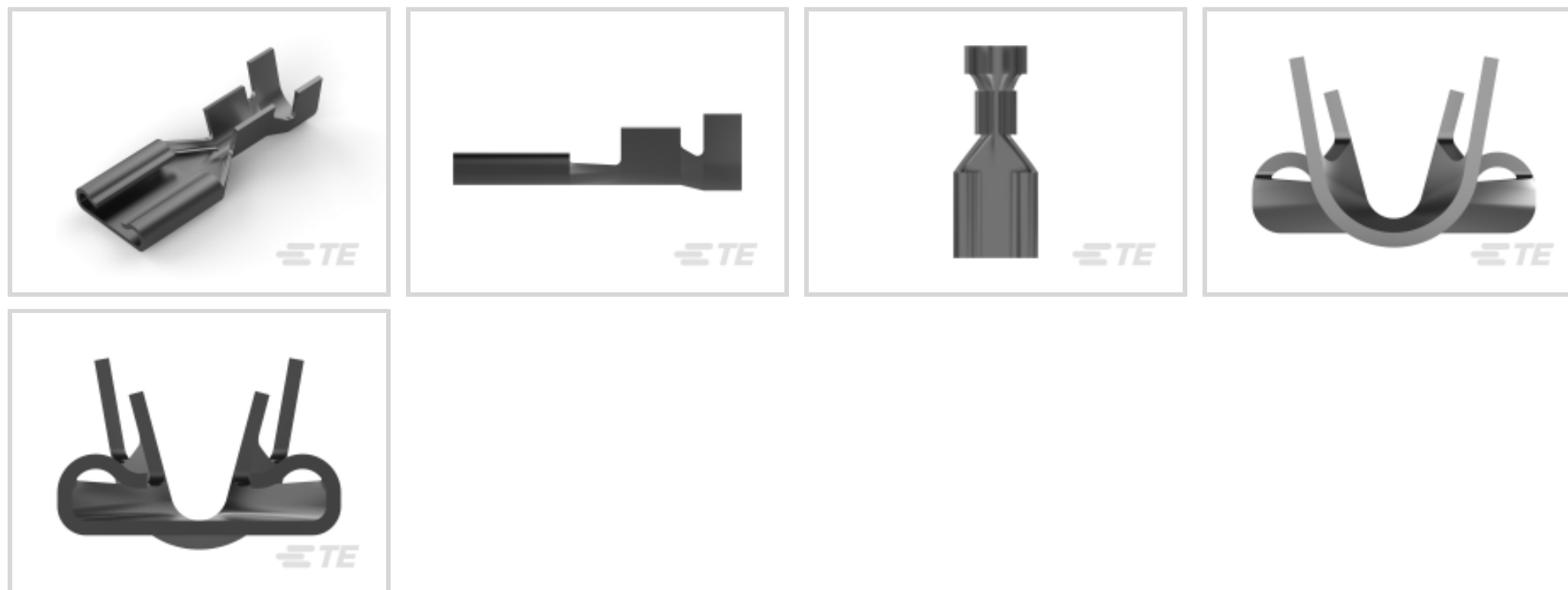
TE Internal #: 42660-2

Quick Disconnects, Receptacle, 18 – 14 AWG Wire Size, .82 – 2.08 mm² Wire Size, Mating Tab Width 6.35 mm [.25 in], Straight, Brass, FASTON 250

[View on TE.com >](#)



Terminals & Splices > Quick Disconnects



Quick Disconnect Terminal Type: **Receptacle**

Wire Size: .82 – 2.08 mm²

Mating Tab Width: 6.35 mm [.25 in]

Mating Tab Thickness: .81 mm [.032 in]

Features

Product Type Features

Insertion Force	Low
-----------------	-----

Configuration Features

Connection Capacity	Single
---------------------	--------

Compatible With Wire & Cable Type	Discrete Wire
-----------------------------------	---------------

Contact Features

Quick Disconnect Terminal Type	Receptacle
--------------------------------	------------

Mating Tab Width	6.35 mm [.25 in]
------------------	------------------

Mating Tab Thickness	.81 mm [.032 in]
----------------------	------------------

Terminal Orientation	Straight
----------------------	----------

Contact Base Material	Brass
-----------------------	-------

Terminal Plating Material	Tin
---------------------------	-----

Crimp Type	F-Crimp
------------	---------

Barrel Type	Open
-------------	------

Termination Features



Product Terminates To	Wire & Cable
-----------------------	--------------

Mechanical Attachment

Wire Insulation Support	With
Mating Retention Type	Dimple

Dimensions

Terminal Material Thickness	.41 mm[.016 in]
Product Length	19.12 mm[.753 in]
Compatible Insulation Diameter Range	3.1 – 4.3 mm[.12 – .17 in]
Wire Size	.82 – 2.08 mm ²

Usage Conditions

Insulation Option	Uninsulated
Operating Temperature Range	-40 – 110 °C[-40 – 230 °F]

Industry Standards

Compatible With Agency/Standards Products	CSA, UL
---	---------

Packaging Features

Packaging Quantity	12000
Packaging Method	Strip/Reel

Product Compliance

[For compliance documentation, visit the product page on TE.com>](#)

EU RoHS Directive 2011/65/EU	Compliant
EU ELV Directive 2000/53/EC	Compliant
China RoHS 2 Directive MIIT Order No 32, 2016	No Restricted Materials Above Threshold
EU REACH Regulation (EC) No. 1907/2006	Current ECHA Candidate List: JAN 2024 (240) Candidate List Declared Against: JAN 2024 (240) Does not contain REACH SVHC
Halogen Content	Low Halogen - Br, Cl, F, I < 900 ppm per homogenous material. Also BFR/CFR/PVC Free
Solder Process Capability	Not applicable for solder process capability

Product Compliance Disclaimer

This information is provided based on reasonable inquiry of our suppliers and represents our current actual knowledge based on the information they provided. This information is subject to change. The part numbers that TE has identified as EU RoHS compliant have a maximum concentration of 0.1% by weight in homogenous materials for lead, hexavalent chromium, mercury, PBB, PBDE, DBP, BBP, DEHP, DIBP, and 0.01% for cadmium, or qualify for an exemption to these limits as defined in the Annexes of Directive 2011/65/EU (RoHS2). Finished electrical and electronic equipment products will be CE marked as required by Directive 2011/65/EU. Components may not be CE marked. Additionally, the part numbers that TE has identified as EU ELV compliant have a maximum concentration of 0.1% by weight in homogenous materials for lead, hexavalent chromium, and mercury, and 0.01% for cadmium, or qualify for an exemption to these limits as defined in the Annexes of Directive 2000/53/EC (ELV). Regarding the REACH Regulation, the information TE provides on SVHC in articles for this part number is based on the latest European Chemicals Agency (ECHA) 'Guidance on requirements for substances in articles' posted at this URL: <https://echa.europa.eu/guidance-documents/guidance-on-reach>

Compatible Parts



TE Part # 2232112-1
250 FASTON, REC., 18-14 AWG, TPBR



TE Part # 58524-1
PROCRIMPER TOOL & DIE



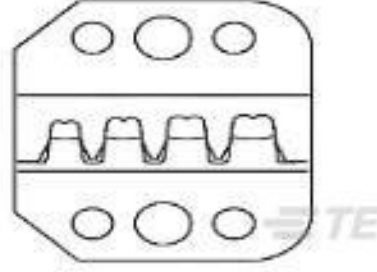
TE Part # 90165-1
DAHT 250 FASTON REC 18-14 ASSY



TE Part # 42845-1
250 FASTON REC 18-14 AWG BR



TE Part # 42845-2
250 FASTON REC 18-14 AWG TPBR



TE Part # 58524-2
PROCRIMPER DIE



TE Part # 188120-7
250 FASTON, REC., 20-17 AWG, TPPB



TE Part # 2150016-1
OCEAN_2.0_Applicator-E-100F180F-REM



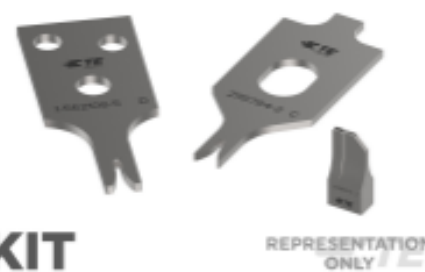
TE Part # 2150016-2
OCEAN_2.0_Applicator-E-100F180F-REA



TE Part # 2150440-1
OCEAN_2.0_Applicator-E-100F170OV-REM



TE Part # 2150440-2
OCEAN_2.0_Applicator-E-100F170OV-REA



TE Part # 7-2150016-7
OCEAN_2.0_SPARE_PART_KIT-100F180F



TE Part # 7-2150440-7
OCEAN_2.0_SPARE_PART_KIT-100F170OV



TE Part # 7-2150440-1
OCEAN_2.0_Applicator-E-100F170OV



TE Part # 7-2150440-2
OCEAN_2.0_Applicator-E-100F170OV

Also in the Series | FASTON 250



Compression Connectors(4)



Crimp Terminal Housings(139)



Insertion & Extraction Tools(6)



Magnet Wire Terminals(1)



PCB Terminals(134)



Quick Disconnects(441)

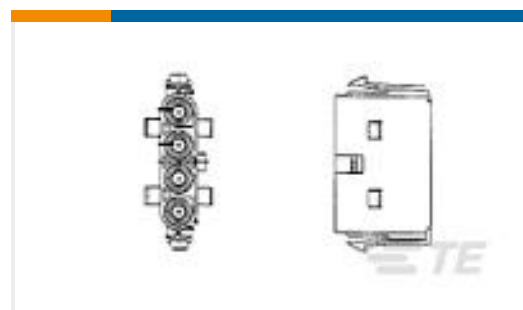


Splices(4)

Customers Also Bought



TE Part #6609059-2
3EZ1=F7328 S0



TE Part #794118-1
04P .156 MNL CAP PANEL MOUNT



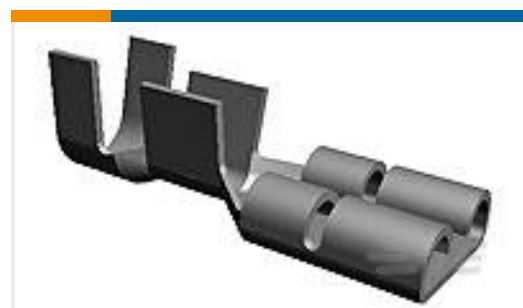
TE Part #521217-2
ULTRA-POD 250 ASSY TAB 18-14
AWG TPBR



TE Part #1-1969442-1
EP 2.5 TPA Housing, 11 Pos



TE Part #62109-1
250 FASTON REC 18-14 AWG BR



TE Part #63539-1
250 FASTON REC 14-10 AWG TPBR



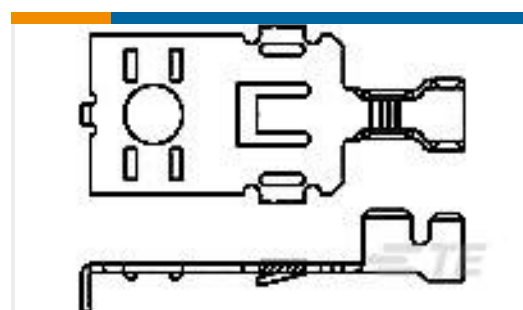
TE Part #520197P061
RT-3-NO.2-0-1.5IN



TE Part #521848-3
ULTRA-POD 250 ASSY REC 18-14
AWG BR



TE Part #350981-2
RING 18-14 AWG PTPBR



TE Part #63166-4
POWER RING, TERMINAL 16-12 AWG
BR



Documents

Product Drawings

250 FASTON REC 18-14 AWG TPBR

English

CAD Files

Customer View Model

ENG_CVM_CVM_42660-2_CM.2d_dxf.zip

English

3D PDF

3D

Customer View Model

ENG_CVM_CVM_42660-2_CM.3d_igs.zip

English

Customer View Model

ENG_CVM_CVM_42660-2_CM.3d_stp.zip

English

By downloading the CAD file I accept and agree to the [Terms and Conditions](#) of use.

Datasheets & Catalog Pages

82004 FASTON Terminals (Insulated and Uninsulated) Catalog - FASTON Receptacles Section

English

Product Specifications

Application Specification

English

Agency Approvals

CSA Certificate

English

CSA Certificate

English