

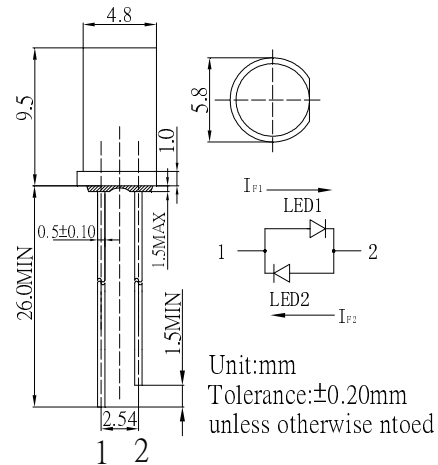
**■Features**

- High Luminous LEDs
- 5mm Flat Top Standard Directivity
- Long Lifetime Operation
- UV Resistant Epoxy
- Water Clear Type
- Bi-polar Type

**■Applications**

- Toys
- Audio
- Games
- Other Lighting

**■Outline Dimension**

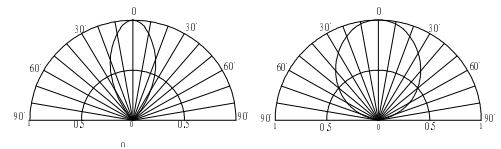


**■Absolute Maximum Rating (Ta=25°C)**

Item	Symbol	Value		Unit
		W/M/B/PG	Y/O/R	
DC Forward Current	I <sub>F</sub>	30	30	mA
Pulse Forward Current#	I <sub>FP</sub>	100	100	mA
Reverse Voltage	V <sub>R</sub>	5	5	V
Power Dissipation	P <sub>D</sub>	102	78	mW
Operating Temperature	T <sub>opr</sub>	-30 ~ +85		°C
Storage Temperature	T <sub>stg</sub>	-40~ +100		°C
Lead Soldering Temperature	T <sub>sol</sub>	260°C/5sec		-

#Pulse width Max.10ms Duty ratio max 1/10

**■Directivity**



**■Electrical -Optical Characteristics (Ta=25°C)**

Part Number	Color		V <sub>F</sub> (V)*			I <sub>v</sub> (mcd)*			λD(nm)/CCT(K)*			θ1/2(deg)
			Min.	Typ.	Max.	Min.	Typ.	Max.	Min.	Typ.	Max.	Typ.
			I <sub>F</sub> =20mA			I <sub>F</sub> =20mA						
OSWWD25TA1A	Cool White	W	2.7	2.9	3.4	1120	1560	-	CCT: 8500-18000K			100
OSMMD25TA1A	Warm White	M	2.7	2.9	3.4	1120	1560	-	CCT:2700-3300K			100
OSBBS25T51A	Blue	B	2.7	2.9	3.4	500	750	-	465	465	475	50
OSPPD25T51A	Pure Green	PG	2.7	2.9	3.4	2180	3000	-	520	525	530	50
OSYYP25T51A	Yellow	Y	1.8	2.1	2.6	750	1120	-	585	590	595	50
OSOOP25T51A	Orange	O	1.8	2.1	2.6	750	1120	-	600	605	610	50
OSRRP25T51A	Red	R	1.8	2.1	2.6	750	1120	-	620	625	630	50

\*1 Tolerance of measurements of domi. wavelength is ±1nm  
 \*2 Tolerance of measurements of chromaticity coordinates/CCT is ±10%  
 \*3 Tolerance of measurements of luminous intensity is ±15%  
 \*4 Tolerance of measurements of forward voltage is ±0.1V