

Product data sheet

Automation technology - sensors and actuators



Product description **M8 Male panel mount connector, Contacts: 6, unshielded, single wires, IP67, front fastened**

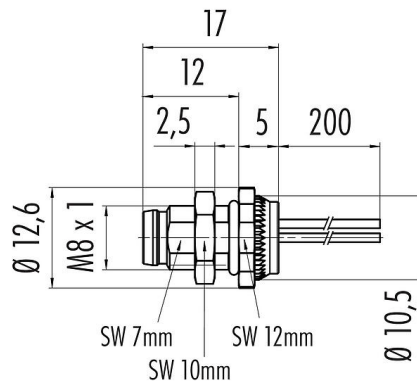
Area **M8 series 718**

Part no. **09 3423 86 06**

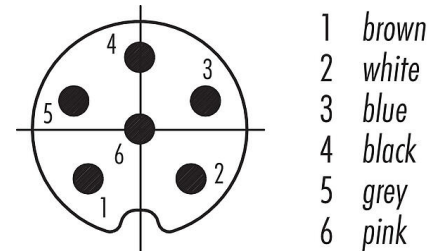
Illustration



Scale drawing



Contact arrangement (Plug-in side)



You can find the assembly instructions on the next page.

Technical data

General features

Part no.	09 3423 86 06
Connector design	Male panel mount connector
Wire length	0.2 m
Version	Connector pin straight
Connector locking system	screw
Termination	single wires
Degree of protection	IP67
Cross-sectional area	0.14 mm ² / AWG 26
Temperature range from/to	-40 °C / 85 °C
Mechanical operation	> 100 Mating cycles
Weight (g)	6.884
Customs tariff number	85369010

Electrical parameters

Rated voltage	30 V
Rated impulse voltage	800 V
Rated current (40 °C)	1.5 A
Pollution degree	3
Overvoltage category	II
Insulating material group	II
EMC compliance	unshielded

Product data sheet

Automation technology - sensors and actuators



Product description **M8 Male panel mount connector, Contacts: 6, unshielded, single wires, IP67, front fastened**

Area **M8 series 718**

Part no. **09 3423 86 06**

Material

Housing material Zinc die-cast nickel-plated

Contact body material PA black

Contact material CuZn (brass)

Contact plating Au (gold)

REACH SVHC CAS 7439-92-1 (Lead)

SCIP number 0530f256-5ff5-468f-863c-586ec414ec67

Classifications

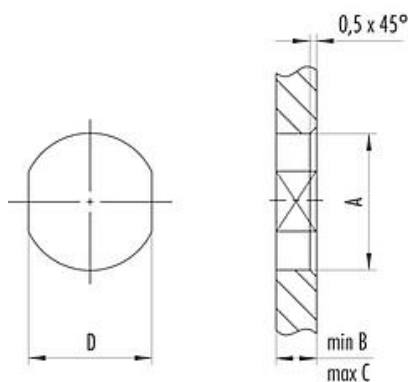
eCl@ss 11.1 27-44-01-03

ETIM 7.0 EC003570

Assembly instructions / Panel cut-out

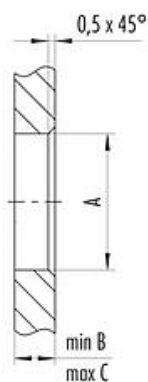
1st Installation proposal

With flats as anti-rotation device



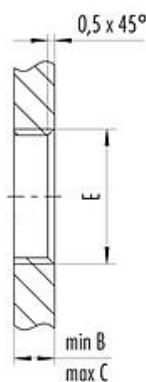
2nd Installation proposal

With bore hole



3rd Installation proposal

With thread to screw in



thread E	A	B	C	D
M8 x 1	8,1	2,0	3,5	7,1
M10 x 0,75	10,1	2,0	6,5	9,1
M12 x 1	12,1	2,5	4,5	10,0

Tightening torque 1 Nm

Product description	M8 Male panel mount connector, Contacts: 6, unshielded, single wires, IP67, front fastened
Area	M8 series 718
Part no.	09 3423 86 06

General Disclaim Notice

The connectors have been developed for applications in plant engineering, control and electrical equipment construction. The user is responsible for checking whether the connectors can also be used in other areas of application.

Plug connectors with enclosure protection IP67 and IP68 are not suitable for use under water. When used outdoors, the plug connectors must be protected separately against corrosion. For further information on the IP protection classes, please refer to the "Technical Information" download centre.