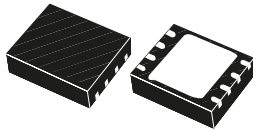


1 A ultra low-dropout regulator with reverse current protection



DFN8 (3 x 3 mm)

Features

- Input voltage range: 2.2 V to 5.5 V
- Ultra low-dropout: 200 mV typ. at 1 A
- NMOS topology
- Very high PSRR: 78 dB @ 100 Hz, 70 dB @ 100 kHz
- Very fast response to load variation
- Stable with 1 μ F capacitor
- Thermal shutdown
- Current limit
- Adjustable from 1.2 V
- High output voltage accuracy: 1 % typ. (3 % max.)

Applications

- Post-regulation generic POL
- Portable equipment
- Industrial applications
- Telecom infrastructure

Description

The **LD59100** is a 1 A LDO regulator designed for use in various environments. Its N-MOS topology allows reduction of the $R_{ds(on)}$ of the pass-element, maintaining a very low-dropout voltage even with very low input power supply voltage.

The device features very high PSRR characteristics over a wide frequency band, rendering it suitable for use as a secondary regulator for noise-sensitive applications.

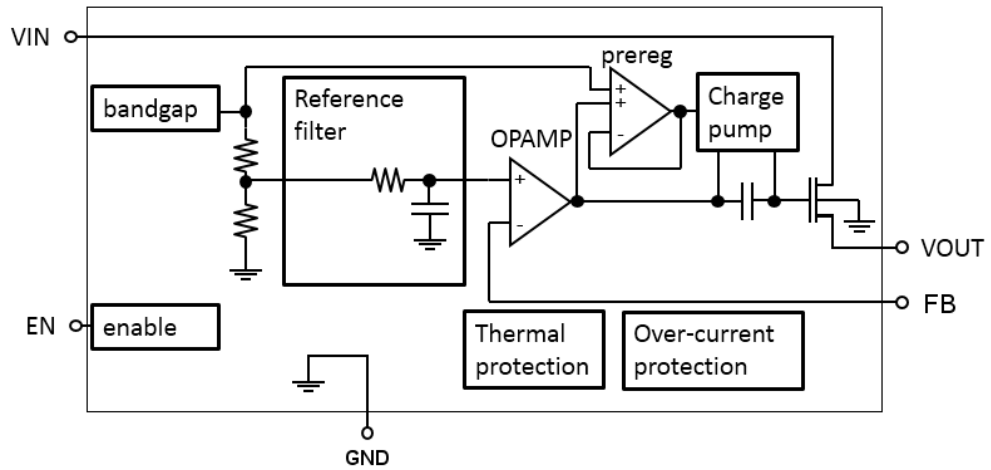
The enable function can be used to further decrease the overall current consumption in shutdown mode.

The **LD59100** embeds protection features, such as current limit, thermal shutdown and reverse output current protection.

Maturity status link

[LD59100](#)

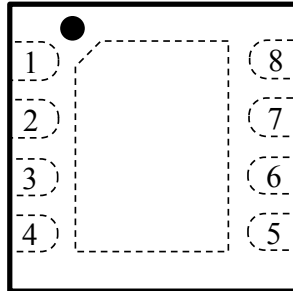
1 Diagram

Figure 1. Block diagram, adjustable version


AMG260520171100MT

2 Pin configuration

Figure 2. Pin connection (top view)



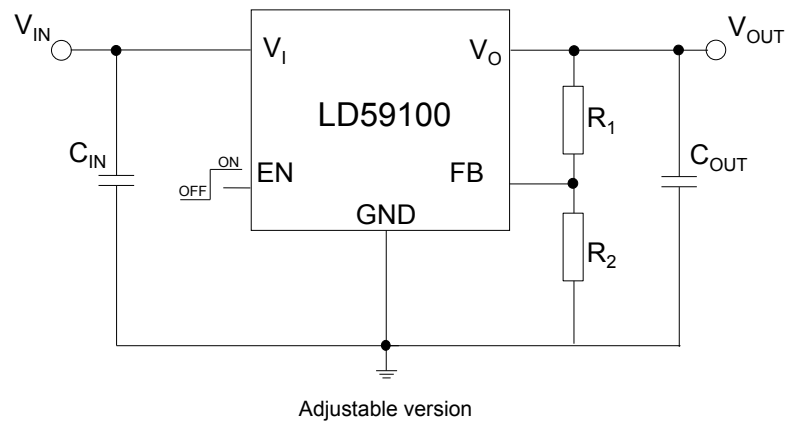
AMG260520171102MT

Table 1. Adjustable version: pin description

Pin	Symbol	Function
DFN8-3x3		
1	OUT	Regulated output voltage of the LDO
3	FB	Feedback to set the output voltage
4	GND	Ground
5	EN	Enable pin logic input: Low = shutdown, High = active
2, 6, 7	NC	Not connected
8	IN	Input pin
Tab	EXP	Exposed pad. Connect to GND on PCB.

3 Typical application

Figure 3. Typical application circuit for adjustable version



AMG260520171103MT

4 Maximum ratings

Table 2. Absolute maximum ratings

Symbol	Parameter	Value	Unit
V_{IN}	DC input voltage	- 0.3 to 6	V
V_{OUT}	DC output voltage	- 0.3 to 5.5	V
V_{EN}	Enable input voltage	- 0.3 to 6	V
V_{FB}	Feedback pin voltage	- 0.3 to 6	V
I_{OUT}	Output current	Internally limited	mA
P_D	Power dissipation	Internally limited	mW
T_{ST}	Storage temperature range	- 65 to 150	°C
T_{OP}	Operating temperature range	- 40 to 125	°C

Note: Absolute maximum ratings are those values beyond which damage to the device may occur. Functional operation under these conditions is not implied. All values are referred to GND.

Table 3. Thermal data

Symbol	Parameter	DFN8-3x3	Unit
R_{thJA}	Thermal resistance junction-ambient	55	°C/W
R_{thJC}	Thermal resistance junction-case	10	°C/W

Table 4. Electrostatic discharge

Symbol	Parameter	DFN8-3x3	Unit
HBM	Human body model	+/-2	kV
CDM	Charged device model	+/-500	V

5 Electrical characteristics

$T_A = T_J = -40\text{ }^\circ\text{C}$ to $+125\text{ }^\circ\text{C}$, typical values refer to $T_A = +25\text{ }^\circ\text{C}$, $V_{EN} = 2.2\text{ V}$, $V_{IN} = V_{OUT} + 1\text{ V}$, $I_{OUT} = 10\text{ mA}$, $C_{IN} = C_{OUT} = 1\text{ }\mu\text{F}$, unless otherwise specified (see note 1).

Table 5. Electrical characteristics for LD59100 adjustable

Symbol	Parameter	Test condition	Min.	Typ.	Max.	Unit
V_{IN}	Operating input voltage		2.2		5.5	V
I_{OUT}	Guaranteed output current		0		1	A
V_{OUT}	Output voltage range		V_{FB}		$5.5 - V_{DROP}$	
	V_{OUT} accuracy	Nominal	-1		1	%
		$V_{IN} = V_{OUT(NOM)} + 0.5\text{ V}$ to 5.5 V $I_{OUT} = 0\text{ mA}$ to 1 A	-3		3	%
V_{FB}	Internal reference		1.192	1.204	1.216	V
I_{FB}	Adjustable pin leakage current			0.1	0.6	μA
ΔV_{OUT}	Static line regulation	$V_{IN} = V_{OUT(NOM)} + 0.5\text{ V}$ to 5.5 V $I_{OUT} = 10\text{ mA}$		0.005		%/V
ΔV_{OUT}	Static load regulation	$I_{OUT} = 1\text{ mA}$ to 1 A		0.0001		%/mA
V_{DROP}	Dropout voltage	$I_{OUT} = 1\text{ A}$, $V_{OUT} > 2.4\text{ V}$ $V_{IN} = V_{OUT(NOM)} - 0.1\text{ V}$		200	500	mV
eN	Output noise voltage ⁽¹⁾	$f = 10\text{ Hz}$ to 100 kHz , $I_{OUT} = 10\text{ mA}$ $C_{OUT} = 10\text{ }\mu\text{F}$		$27 \times V_{OUT}$		μV_{RMS}
SVR	Supply voltage rejection ⁽²⁾	$V_{IN} = V_{OUT(NOM)} + 1\text{ V} + /-V_{RIPPLE}$ $V_{RIPPLE} = 0.5\text{ V}$, $I_{OUT} = 10\text{ mA}$ $f = 100\text{ Hz}$		78		dB
		$V_{IN} = V_{OUT(NOM)} + 1\text{ V} + /-V_{RIPPLE}$ $V_{RIPPLE} = 0.5\text{ V}$, $I_{OUT} = 10\text{ mA}$ $f = 10\text{ Hz}$		62		
		$V_{IN} = V_{OUT(NOM)} + 1\text{ V} + /-V_{RIPPLE}$ $V_{RIPPLE} = 0.5\text{ V}$, $I_{OUT} = 10\text{ mA}$ $f = 100\text{ Hz}$		70		
		$V_{IN} = V_{OUT(NOM)} + 1\text{ V} + /-V_{RIPPLE}$ $V_{RIPPLE} = 0.5\text{ V}$, $I_{OUT} = 1\text{ A}$ $f = 100\text{ Hz}$		58		
		$V_{IN} = V_{OUT(NOM)} + 1\text{ V} + /-V_{RIPPLE}$ $V_{RIPPLE} = 0.5\text{ V}$, $I_{OUT} = 1\text{ A}$ $f = 10\text{ Hz}$		37		

Symbol	Parameter	Test condition	Min.	Typ.	Max.	Unit
I_Q	Quiescent current	$I_{OUT} = 0 \text{ mA}$		130		μA
		$I_{OUT} = 10 \text{ mA}$		140		
		$I_{OUT} = 1 \text{ A}$		280		
		V_{IN} Input current in OFF mode		0.02		
		$V_{EN} = \text{GND}$				
I_{CL}	Output current limit	$V_{OUT} = 0.9 \times V_{OUT(\text{NOM})}$	1.05	1.6	2.2	A
I_{SC}	Short-circuit current	$R_L = 0$		450		mA
I_{REV}	Reverse leakage current	$V_{EN} < 0.5 \text{ V}, 0 < V_{IN} < V_{OUT}$		0.1		μA
V_{EN}	Enable input logic low				0.5	V
	Enable input logic high		1.7			
I_{EN}	Enable pin input current	$V_{EN} = V_{IN} = 5.5 \text{ V}$		20		nA
T_{SHDN}	Thermal shutdown ⁽²⁾			160		$^{\circ}\text{C}$
	Hysteresis ⁽²⁾			20		
T_{STR}	Start-up time	$V_{OUT} = 3 \text{ V}, R_L = 30 \Omega, C_{OUT} = 1 \mu\text{F}$		600		μs

1. Values at below 0°C are guaranteed by design and/or characterization tested at $T_A = \sim T_J$. Low duty cycle pulse techniques are used.
2. Guaranteed by design, not tested in production.

6 Application information

6.1 Output voltage setting for adjustable version

In the adjustable version, the output voltage can be set from 1.204 V (V_{FB}) up to the input voltage minus the voltage drop across the pass transistor (dropout voltage), by connecting a resistor divider between the FB pin and the output, thereby implementing remote voltage sensing. With reference to the typical circuit shown in [Figure 4. Line regulation vs. temperature](#) ($V_{IN} = 2.5$ to 5.5 V, $V_{OUT} = V_{FB}$, $I_{OUT} = 10$ mA), the resistor divider can be designed by using the following equation:

Equation 1

$$V_{OUT} = V_{FB} (1 + R_1/R_2), \text{ with } V_{FB} = 1.204 \text{ V typ.} \quad (1)$$

It is recommended to use resistors with values in the range of 10 kΩ to 100 kΩ. Lower values can also be suitable, but will result in an increase in current consumption.

The following table shows an example of R_1 , R_2 choices, among standard 1% resistors, to obtain the most common output voltages.

Table 6. Resistor divider settings for common output voltages

V_{OUT}	R_1	R_2
1.204 (V_{FB})	Short	Open
1.5	23.2 kΩ	95.3 kΩ
1.8	28.0 kΩ	56.2 kΩ
2.5	39.2 kΩ	36.5 kΩ
2.8	44.2 kΩ	33.2 kΩ
3	46.4 kΩ	30.9 kΩ
3.3	52.3 kΩ	30.1 kΩ

6.2 Input and output capacitors

Input capacitor

An input capacitor with a minimum value of 1 μF must be located as close as possible to the input pin of the device and returned to a clean analog ground. A good quality, low-ESR ceramic capacitor is recommended. This capacitor helps to ensure stability of the control loop, reduces the effects of inductive sources and improves ripple rejection. A capacitance value larger than 1 μF can be used in the case of fast load transients in the application.

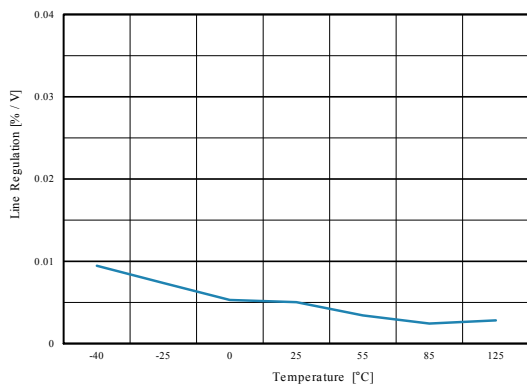
Output capacitor

The LD59100 requires a capacitor connected to its output, to keep the control loop stable and reduce the risk of ringing and oscillations. The control loop is designed to be stable with any good quality ceramic capacitor (such as X5R/X7R types) with a minimum value of 1 μF and equivalent series resistance in the 5 mΩ to 1 Ω range. It is important to highlight that the output capacitor must maintain its capacitance and ESR in the stable region over the full operating temperature, load and input voltage ranges, to assure stability. Therefore, capacitance and ESR variations must be taken into account in the design phase to ensure the device works in the expected stability region. There is no maximum limit to the output capacitance, provided that the above conditions are respected.

7 Typical characteristics

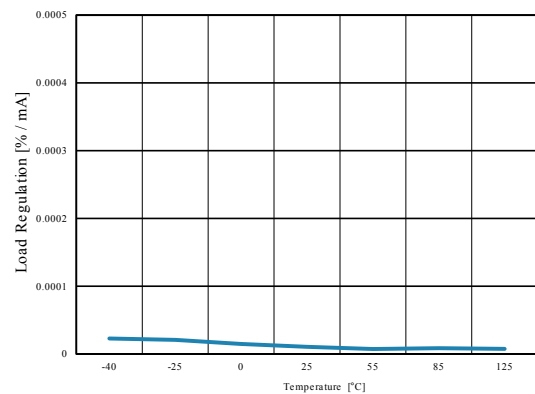
$C_{IN} = C_{OUT} = 1 \mu F$, $V_{EN} = V_{IN} = 2.5 V$, $V_{OUT} = V_{FB}$, $T_J = 25 \text{ }^\circ\text{C}$, unless otherwise specified.

Figure 4. Line regulation vs. temperature ($V_{IN} = 2.5$ to $5.5 V$, $V_{OUT} = V_{FB}$, $I_{OUT} = 10 \text{ mA}$)



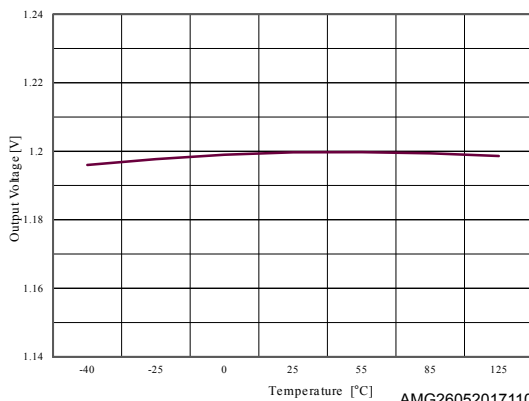
AMG260520171106MT

Figure 5. Load regulation vs. temperature ($V_{IN} = 2.5 V$, $V_{OUT} = V_{FB}$)



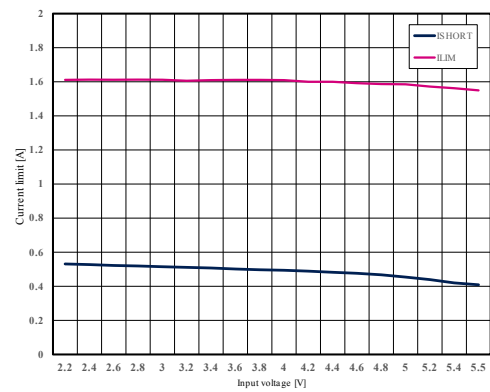
AMG260520171107MT

Figure 6. Reference voltage vs. temperature



AMG260520171108MT

Figure 7. Current limit vs. input voltage



AMG260520171109MT

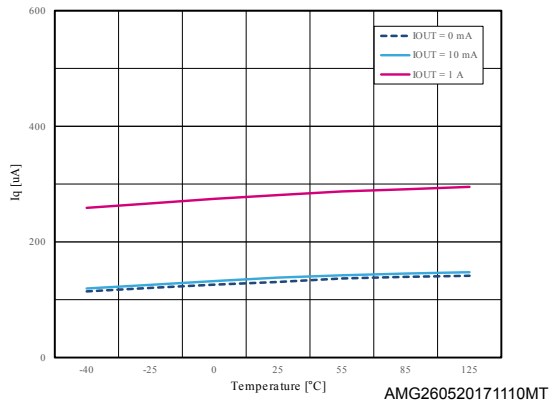
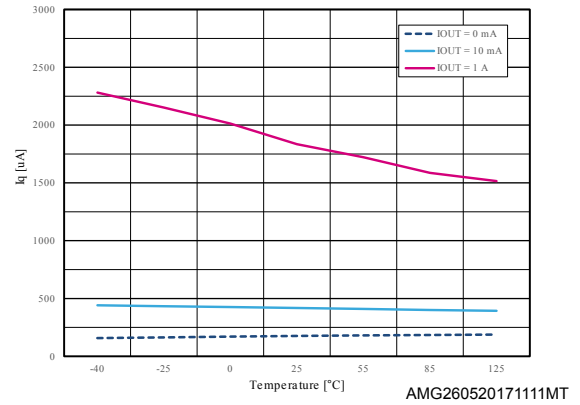
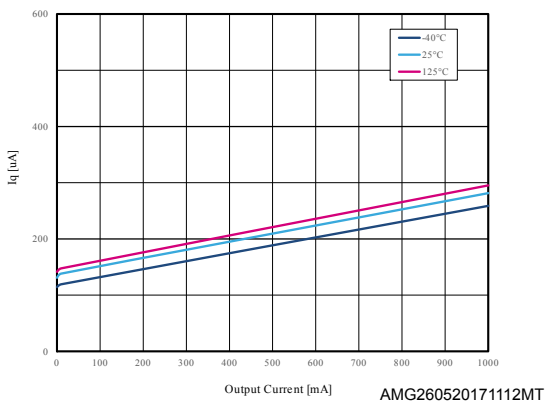
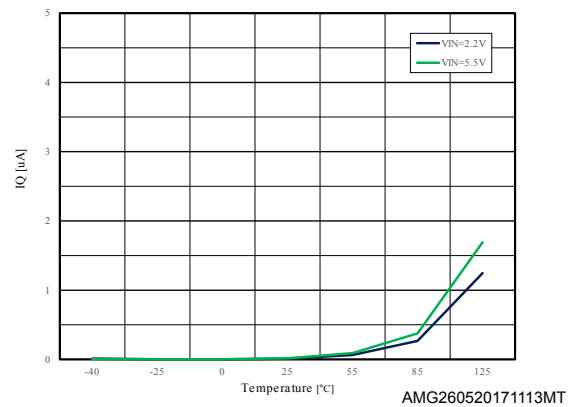
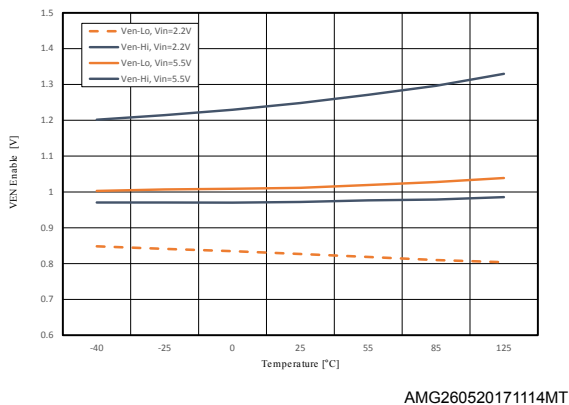
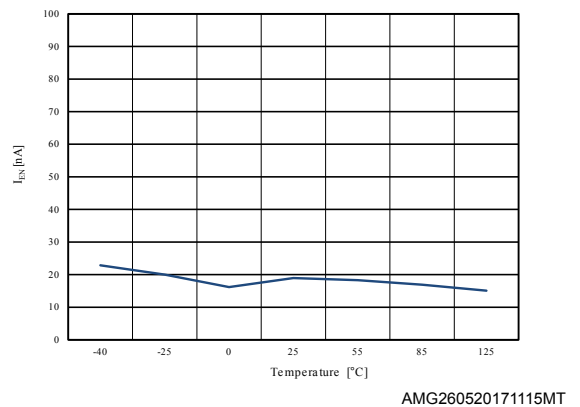
Figure 8. Quiescent current vs. temperature ($V_{IN} = 2.2\text{ V}$)

Figure 9. Quiescent current vs. temperature ($V_{IN} = 5.5\text{ V}$)

Figure 10. Quiescent current vs. output current

Figure 11. Off-state current vs. temperature

Figure 12. Enable thresholds vs. temperature

Figure 13. Enable pin current vs. temperature


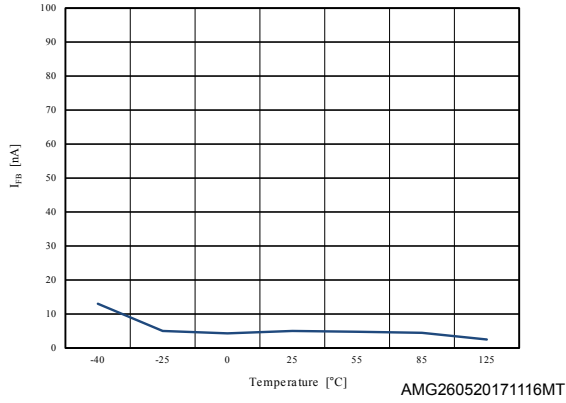
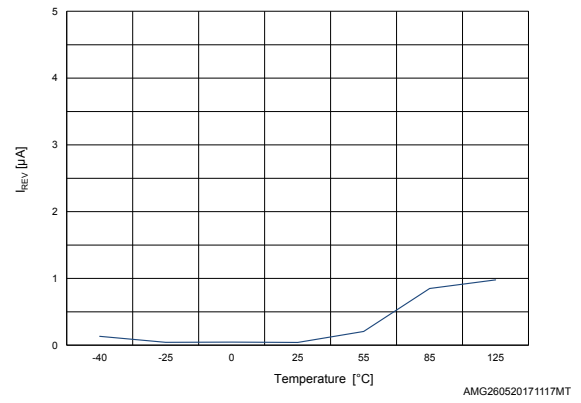
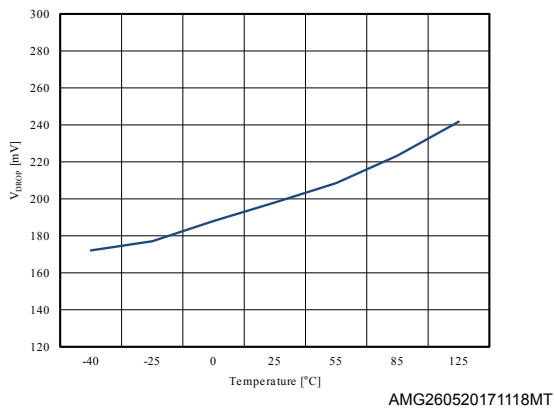
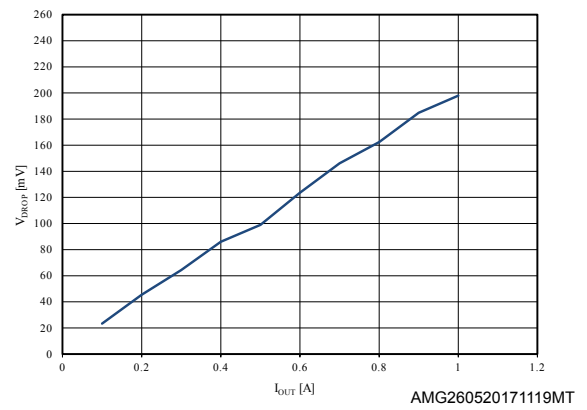
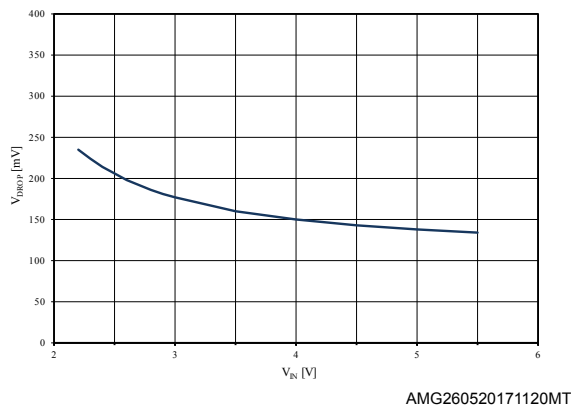
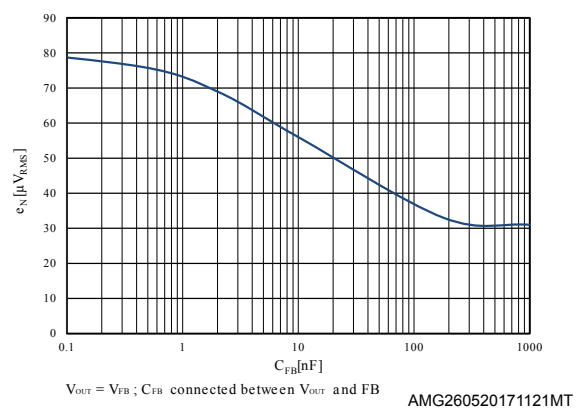
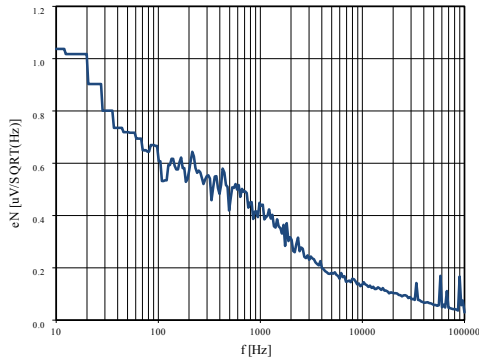
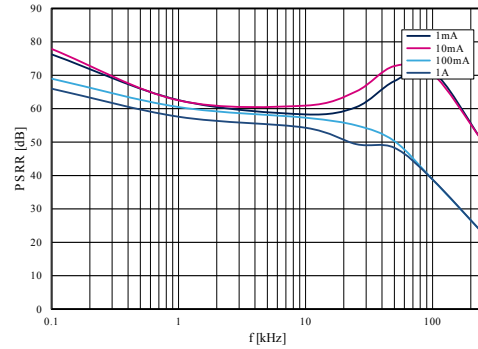
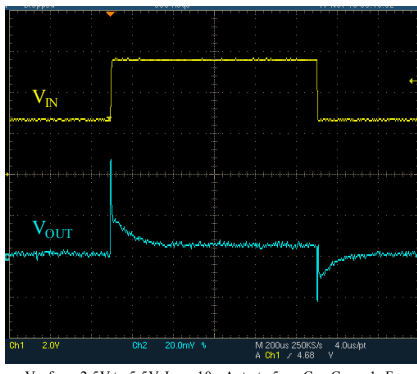
Figure 14. Feedback pin current vs. temperature

Figure 15. Reverse current vs. temperature

Figure 16. Dropout voltage vs. temperature

Figure 17. Dropout voltage vs. output current

Figure 18. Dropout voltage vs. input voltage

Figure 19. RMS noise vs. C_FB


Figure 20. Noise spectral density

 $V_{OUT} = V_{FB}, C_{OUT} = 10\mu F$

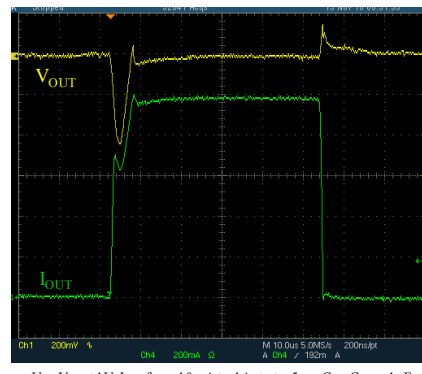
AMG260520171122MT

Figure 21. PSRR vs. frequency


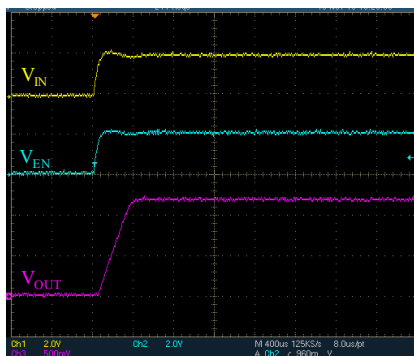
AMG210720171100MT

Figure 22. Line transient

 V_{IN} from 2.5V to 5.5V, $I_{OUT} = 10\text{mA}$, $t_r = t_f = 5\mu\text{s}$, $C_{IN} = C_{OUT} = 1\mu\text{F}$

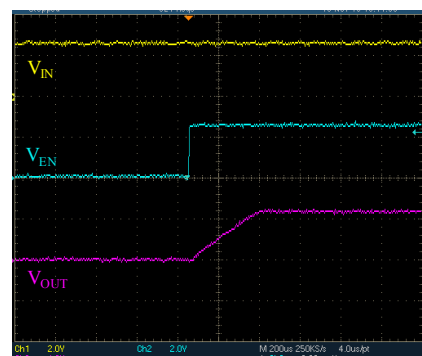
AMG260520171124MT

Figure 23. Load transient

 $V_{IN} = V_{OUT} + 1\text{V}$, I_{OUT} from 10mA to 1A, $t_r = t_f = 5\mu\text{s}$, $C_{IN} = C_{OUT} = 1\mu\text{F}$

AMG260520171125MT

Figure 24. Startup waveform

 $V_{IN} = V_{EN}$ from 0 to 2.5V, $I_{OUT} = 10\text{mA}$, $t_r = 5\mu\text{s}$, $C_{IN} = C_{OUT} = 1\mu\text{F}$

AMG260520171126MT

Figure 25. Enable transient

 $V_{IN} = 2.5\text{V}$, V_{EN} from 0 to 2.5V, $I_{OUT} = 10\text{mA}$, $t_r = 5\mu\text{s}$, $C_{IN} = C_{OUT} = 1\mu\text{F}$

AMG260520171127MT

8 Package information

In order to meet environmental requirements, ST offers these devices in different grades of ECOPACK® packages, depending on their level of environmental compliance. ECOPACK® specifications, grade definitions and product status are available at: www.st.com. ECOPACK® is an ST trademark.

8.1 DFN8 (3 x 3 mm) package information

Figure 26. DFN8 (3 x 3 mm) package outline

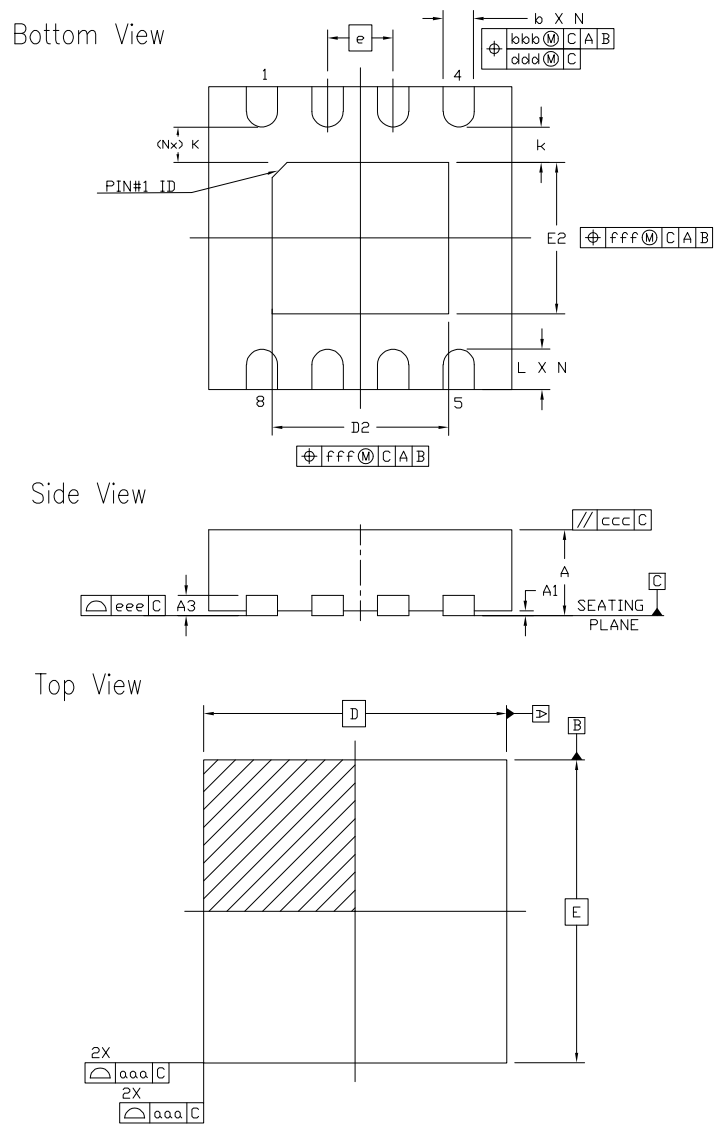
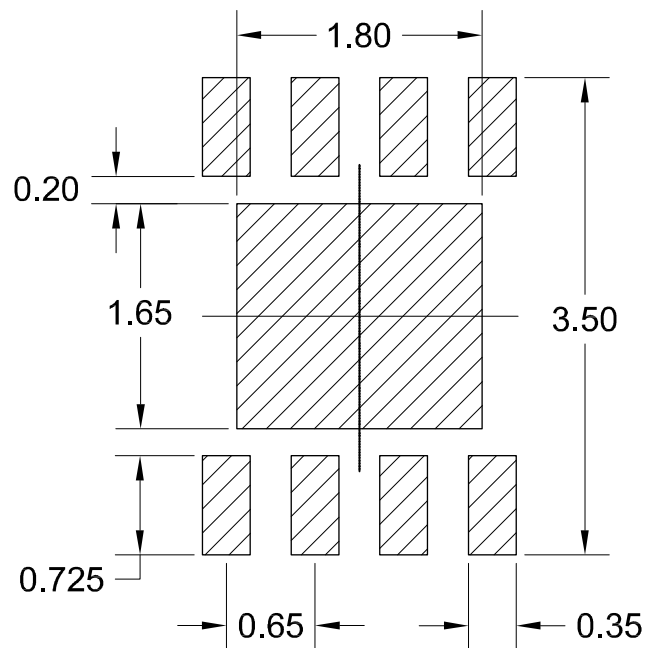
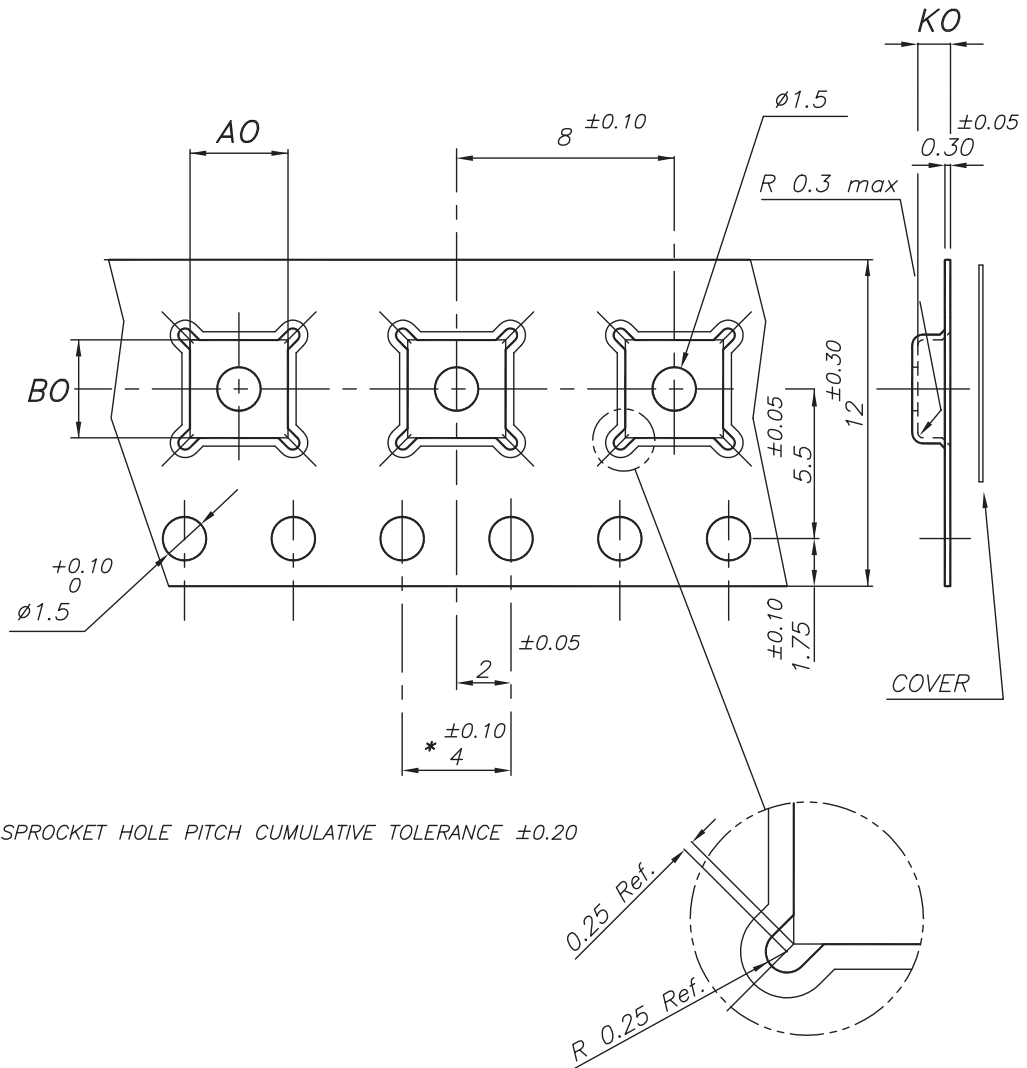


Table 7. DFN8 (3 x 3 mm) mechanical data

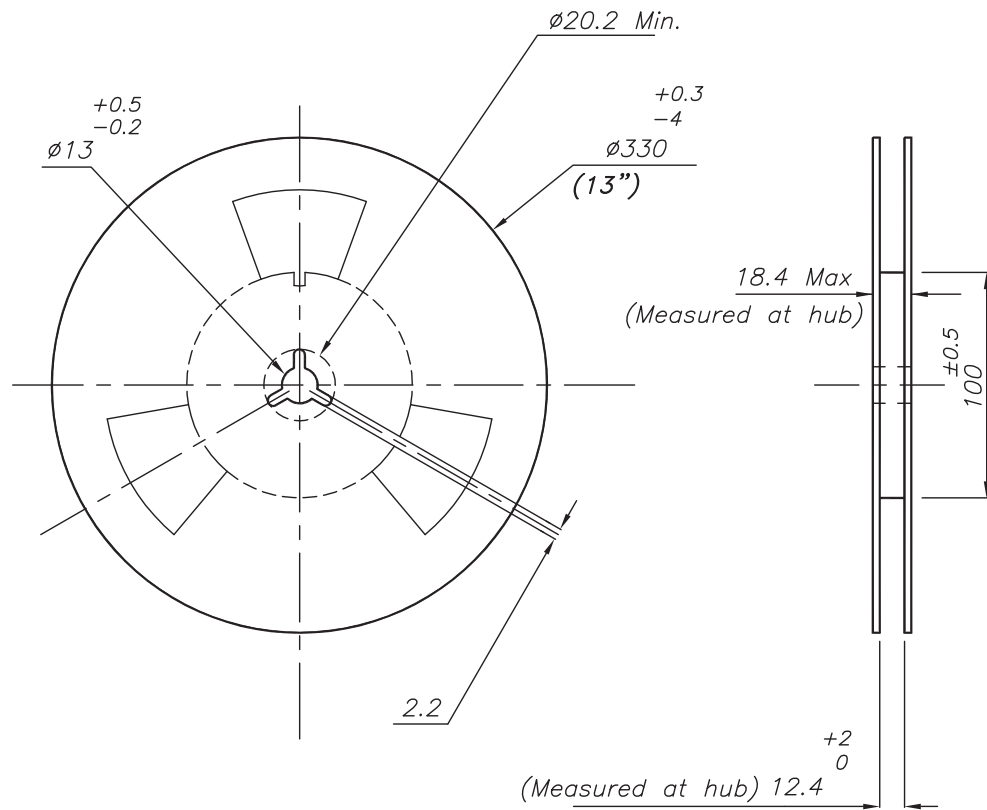
Dim.	mm		
	Min.	Typ.	Max.
A	0.80	0.85	0.90
A1	0.00	-	0.05
A3	0.20 REF.		
b	0.28	0.31	0.34
D	3.00 BSC		
D2	1.70	1.75	1.80
e	0.65 BSC		
E	3.00 BSC		
E2	1.45	1.50	1.55
L	0.35	0.40	0.45
k	0.20		
N	8		

Figure 27. DFN8 (3 x 3 mm) recommended footprint


8.2 DFN8 (3 x 3 mm) packing information

Figure 28. DFN8 (3 x 3 mm) tape outline

Table 8. DFN8 (3 x 3 mm) tape mechanical data

Dim.	mm
	Value
Ao	3.30 ± 0.10
Bo	3.30 ± 0.10
Ko	1.10 ± 0.10

Figure 29. DFN8 (3 x 3 mm) reel outline


9 Ordering information

Table 9. Order codes

DFN8-3x3		Output voltage
Order code	Marking	
LD59100PUR	5910	Adjustable

Revision history

Table 10. Document revision history

Date	Revision	Changes
06-Sep-2017	1	Initial release
21-Nov-2018	2	Updated Figure 15. Reverse current vs. temperature

IMPORTANT NOTICE – PLEASE READ CAREFULLY

STMicroelectronics NV and its subsidiaries (“ST”) reserve the right to make changes, corrections, enhancements, modifications, and improvements to ST products and/or to this document at any time without notice. Purchasers should obtain the latest relevant information on ST products before placing orders. ST products are sold pursuant to ST’s terms and conditions of sale in place at the time of order acknowledgement.

Purchasers are solely responsible for the choice, selection, and use of ST products and ST assumes no liability for application assistance or the design of Purchasers’ products.

No license, express or implied, to any intellectual property right is granted by ST herein.

Resale of ST products with provisions different from the information set forth herein shall void any warranty granted by ST for such product.

ST and the ST logo are trademarks of ST. All other product or service names are the property of their respective owners.

Information in this document supersedes and replaces information previously supplied in any prior versions of this document.

© 2018 STMicroelectronics – All rights reserved

Mouser Electronics

Authorized Distributor

Click to View Pricing, Inventory, Delivery & Lifecycle Information:

[STMicroelectronics:](#)

[LD59100PUR](#)