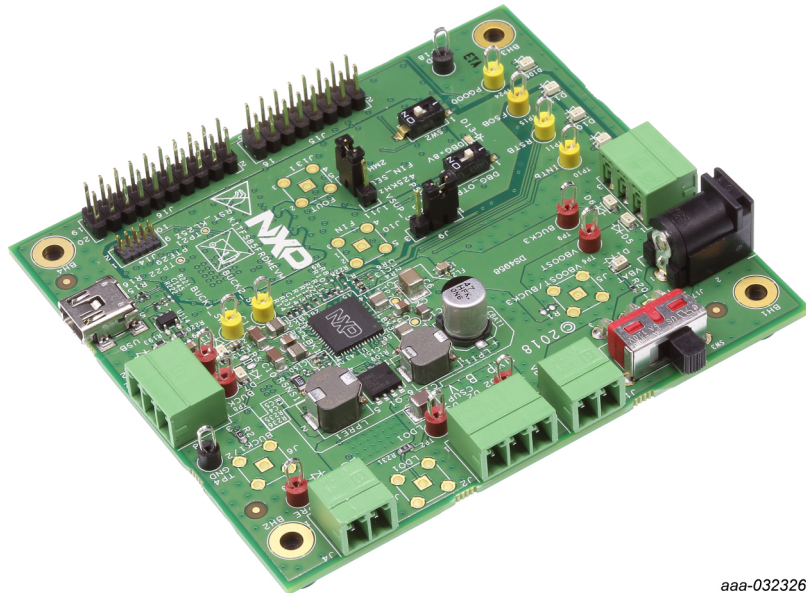


UM11157

KITFS85FRDMEVM evaluation board

Rev. 3 — 6 December 2019

User manual



aaa-032326

Figure 1. KITFS85FRDMEVM

Important Notice

NXP provides the enclosed product(s) under the following conditions:

This evaluation kit is intended for use of **ENGINEERING DEVELOPMENT OR EVALUATION PURPOSES ONLY**. It is provided as a sample IC pre-soldered to a printed circuit board to make it easier to access inputs, outputs, and supply terminals. This evaluation board may be used with any development system or other source of I/O signals by simply connecting it to the host MCU or computer board via off-the-shelf cables. This evaluation board is not a Reference Design and is not intended to represent a final design recommendation for any particular application. Final device in an application will be heavily dependent on proper printed circuit board layout and heat sinking design as well as attention to supply filtering, transient suppression, and I/O signal quality.

The goods provided may not be complete in terms of required design, marketing, and/or manufacturing related protective considerations, including product safety measures typically found in the end product incorporating the goods. Due to the open construction of the product, it is the user's responsibility to take any and all appropriate precautions with regard to electrostatic discharge. In order to minimize risks associated with the customer's applications, adequate design and operating safeguards must be provided by the customer to minimize inherent or procedural hazards. For any safety concerns, contact NXP sales and technical support services.

Should this evaluation kit not meet the specifications indicated in the kit, it may be returned within 30 days from the date of delivery and will be replaced by a new kit.

NXP reserves the right to make changes without further notice to any products herein. NXP makes no warranty, representation or guarantee regarding the suitability of its products for any particular purpose, nor does NXP assume any liability arising out of the application or use of any product or circuit, and specifically disclaims any and all liability, including without limitation consequential or incidental damages. Typical parameters can and do vary in different applications and actual performance may vary over time. All operating parameters, including Typical, must be validated for each customer application by customer's technical experts.

NXP does not convey any license under its patent rights nor the rights of others. NXP products are not designed, intended, or authorized for use as components in systems intended for surgical implant into the body, or other applications intended to support or sustain life, or for any other application in which the failure of the NXP product could create a situation where personal injury or death may occur.

Should the Buyer purchase or use NXP products for any such unintended or unauthorized application, the Buyer shall indemnify and hold NXP and its officers, employees, subsidiaries, affiliates, and distributors harmless against all claims, costs, damages, and expenses, and reasonable attorney fees arising out of, directly or indirectly, any claim of personal injury or death associated with such unintended or unauthorized use, even if such claim alleges NXP was negligent regarding the design or manufacture of the part.



1 Introduction

This document is the user guide for the KITFS85FRDMEVM evaluation board. This document is intended for the engineers involved in the evaluation, design, implementation, and validation of FS8500 Fail-safe system basis chip with multiple SMPS and LDO.

The scope of this document is to provide the user with information to evaluate the FS8500 Fail-safe system basis chip with multiple SMPS and LDO. This document covers connecting the hardware, installing the software and tools, configuring the environment and using the kit.

The KITFS85FRDMEVM enables development on FS84/FS85 family of devices. The kit can be connected to the FlexGUI software which allows you to play with registers, try OTP configurations, and burn the part.

It is delivered with empty OTP content in order to leave the opportunity to the user to burn the OTP configuration. The board contains a superset device (MC33FS8530AE0S), allowing tests on all the FS84/FS85 derivatives.

2 Finding kit resources and information on the NXP web site

NXP Semiconductors provides online resources for this evaluation board and its supported device(s) on <http://www.nxp.com>.

The information page for KITFS85FRDMEVM evaluation board is at <http://www.nxp.com/KITFS85FRDMEVM>. The information page provides overview information, documentation, software and tools, parametrics, ordering information and a **Getting Started** tab. The **Getting Started** tab provides quick-reference information applicable to using the KITFS85FRDMEVM evaluation board, including the downloadable assets referenced in this document.

2.1 Collaborate in the NXP community

The NXP community is for sharing ideas and tips, ask and answer technical questions, and receive input on just about any embedded design topic.

The NXP community is at <http://community.nxp.com>.

3 Getting ready

Working with the KITFS85FRDMEVM requires the kit contents, additional hardware and a Windows PC workstation with installed software.

3.1 Kit contents

- Assembled and tested evaluation board in an anti-static bag
- 3.0 ft USB-STD A to USB-B-mini cable
- Two connectors, terminal block plug, 2 pos., str. 3.81 mm
- Three connectors, terminal block plug, 3 pos., str. 3.81 mm
- Jumpers mounted on board

3.2 Additional hardware

In addition to the kit contents, the following hardware is necessary or beneficial when working with this kit.

- Power supply with a range of 8.0 V to 40 V and a current limit set initially to 1.0 A (maximum current consumption can be up to 6.0 A)

3.3 Windows PC workstation

This evaluation board requires a Windows PC workstation. Meeting these minimum specifications should produce great results when working with this evaluation board.

- USB-enabled computer with Windows 7 or Windows 10

3.4 Software

Installing software is necessary to work with this evaluation board. All listed software is available on the evaluation board's information page at <http://www.nxp.com/KITFS85FRDMEVM> or from the provided link.

- FlexGUI latest version
- FS85_FS84_OTP_Config.xlsm
- Java installation <https://www.oracle.com/technetwork/java/javase/downloads/jre8-downloads-2133155.html>

4 Getting to know the hardware

The KITFS85FRDMEVM provides flexibility to play with all the features of the device and make measurements on the main part of the application. The KL25Z MCU installed on the board, combined with the FlexGUI software allows access to the registers in read and write mode. All regulators are accessible through connectors. Nonuser signal, like DC/DC switcher node is mapped on test points. Digital signals (SPI, I2C, RSTB, etc.) are accessible through connectors. Pin WAKE1 pin has a switch to control (Ignition) them. A VBAT switch is available to power On or Off the device.

This board can be operated in Emulation mode or in OTP mode. In emulation mode, as long as the power is supplied, the board configuration stays valid. The OTP mode uses the fused configuration. The device can be fused three times. In OTP mode, the device always starts with the fused configuration, except if the user wants to overwrite OTP configuration using Emulation mode. This board is able to fuse the OTP without any extra tools or board.

4.1 Kit overview

The KITFS85FRDMEVM is a hardware evaluation tool that allows performance test. The FS85xx part soldered on the board can be fused three times (see [Section 7.3 "Programming the device with an OTP configuration"](#)).

An Emulation mode is possible to test as many configurations as needed. The voltage monitoring hardware configuration is done through resistors. Note that this configuration can be changed by selecting the appropriate bridge resistors:

- VMON1: assigned to VPRE, 4.1 V
- VMON2: assigned to EXT_MON2 (VMON bridge for 3.3 V input)

- VMON3: assigned to BUCK3, 2.3 V
- VMON4: assigned to EXT_MON4 (VMON bridge for 5.0 V input)

This configuration can be changed by installing appropriate bridge resistors. This board was designed to sustain up to 6.0 A total on V_{PRE}.

Layout is done using six layer PCB stack up and by following the rules for DC-DC converter layout design. The FS84/FS85 family can be evaluated with this board as it is populated with a superset part. The FS84xx supports ASIL B design, while FS85xx supports ASIL D design.

An external LDO provides VDDI2C voltage with a choice of 1.8 V or 3.3 V (default). VDDIO is assigned by default to VDDI2C. From USB voltage, an external DC-DC generates the OTP programming voltage (8.0 V) without any need for an external power supply.

4.1.1 KITFS85FRDMEVM features

- VBAT power supply connectors (Jack and Phoenix)
- VPRE output capability up to 6.0 A (external MOSFET)
- VBUCK1/2 in Standalone (default) or Multiphase mode, up to 3.6 A peak
- VBUCK3 up to 3.6 A peak
- VBOOST 5.0 V or 5.74 V, up to 400 mA
- LDO1 and LDO2, from 1.1 V to 5.0 V, up to 400 mA
- Ignition key switch
- FS0B external safety pin
- Embedded USB connection for easy connection to software GUI (access to SPI/I2C bus, IOs, RSTB, FS0B, INTB, Debug, MUX_OUT, regulators)
- LEDs that indicate signal or regulator status
- Support OTP fuse capabilities
- USB connection for register access, OTP emulation, and programming

4.1.2 VMON configuration

The VMONx configuration is highly dependent on the use case. This kit is delivered with a default configuration shown in bold in [Table 1](#). However, the user can assign VMONx differently to address the use case. As an example, VMON1 could be reassigned from VPRE to LDO1 with a wire connected between LDO1 and EXT_MON1. In this case, the user has to define the right value for R240 which depends on the nominal voltage. As a consequence, the *Resistor to set column* in [Table 1](#), indicates that R11 and R227 resistors have to be removed.

[Table 1](#) defines how to connect VMONx.

Table 1. VMONx voltage assignment

The default configuration on the board is indicated in bold.

VMONx inputs	Assignment	Alternate	Nominal voltage	Resistor to set	Resistor value
VMON1	VPRE	—	4.1 V	R11	90.9 kΩ
		VMON_08V	0.8 V	R227	0 Ω
		EXT_MON1	User	R240	User
VMON2	VMON_08V	—	0.8 V	R228	0 Ω
		EXT_MON2	3.3 V	R7	68.1 kΩ

VMONx inputs	Assignment	Alternate	Nominal voltage	Resistor to set	Resistor value
VMON3	BUCK3	—	2.3 V	R38	41.2 kΩ
		VMON_08V	0.8 V	R229	0 Ω
		EXT_MON3	User	R241	User
VMON4	VMON_08V		0.8 V	R230	0 Ω
		EXT_MON4	5.0 V	R40	115 kΩ

VMON_08V is a fixed voltage at 0.8 V which allows to force the right voltage on VMONx. EXT_MONx are available from J16 to feed the desired voltage on VMONx (external). In this case, the resistor value from the upper side of the bridge must be defined.

The resistor location is given in *Resistor to set* column in [Table 1](#). *Nominal voltage* column gives the voltage for which VMONx bridge is defined on the board. The bridge low-side resistor is 22.1 kΩ for each VMON.

4.1.3 VPRES compensation network

This board is delivered with a VPRES compensation network defined for VPRES 4.1 V at 450 kHz. All other VPRES configurations require a new calculation for these components.

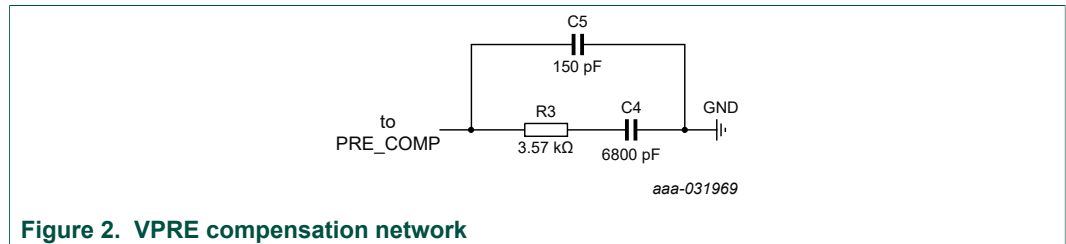


Figure 2. VPRES compensation network

Table 2. Compensation network

Components	VPRES 450 kHz	VPRES 2.2 MHz
C4	6.8 nF	1.5 nF
C5	150 pF	22 pF
R3	3.57 kΩ	16.9 kΩ
LPRES	4.7 μH or 6.8 μH	1.5 μH, 2.2 μH, or 4.7 μH

4.1.4 BUCK1 and BUCK2 multiphase configuration

The board is designed to work independently with BUCK1 and BUCK2. Due to R5 and R34, it is possible to connect both connectors together and work in multiphase.

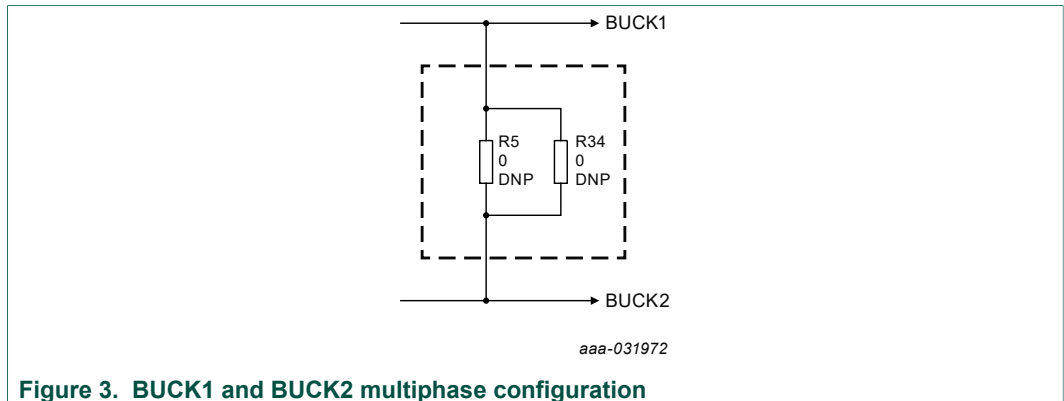


Figure 3. BUCK1 and BUCK2 multiphase configuration

4.1.5 SPI/I2C

The SPI and I2C buses are connected to KL25Z MCU. The user can use either one or the other. The choice can be done at start of the FlexGUI or at any time after launch (see [Section 8 "Using FlexGUI"](#)).

This kit uses a KL25Z MCU to communicate with FlexGUI. It is also possible to connect the SPI to another MCU. In this case, remove R13, R41, R42, and R43 to disconnect the KL25Z MCU (see [Figure 4](#)) and connect the external MCU on J15 connector as shown in [Figure 5](#). The external MCU can be connected on J15 connector as shown in [Figure 5](#). In addition to this change, be sure that VDDIO voltage domain is the same on MCU side and SBC side.

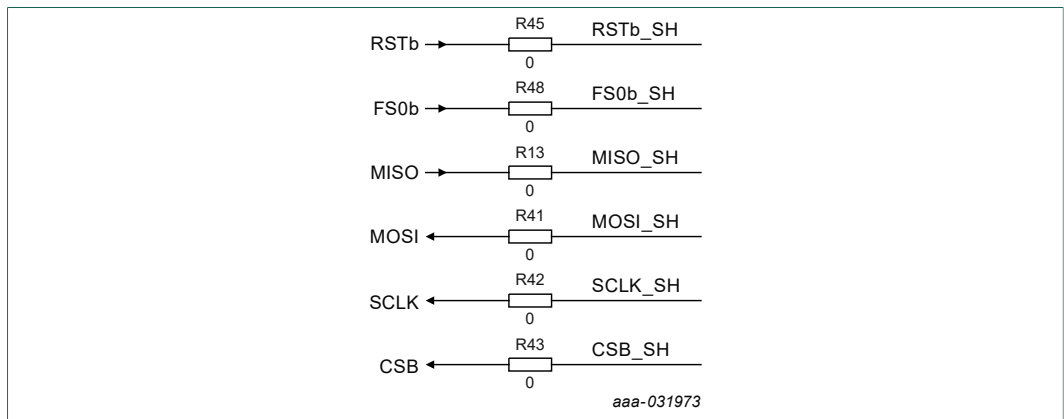


Figure 4. SPI connection to KL25Z

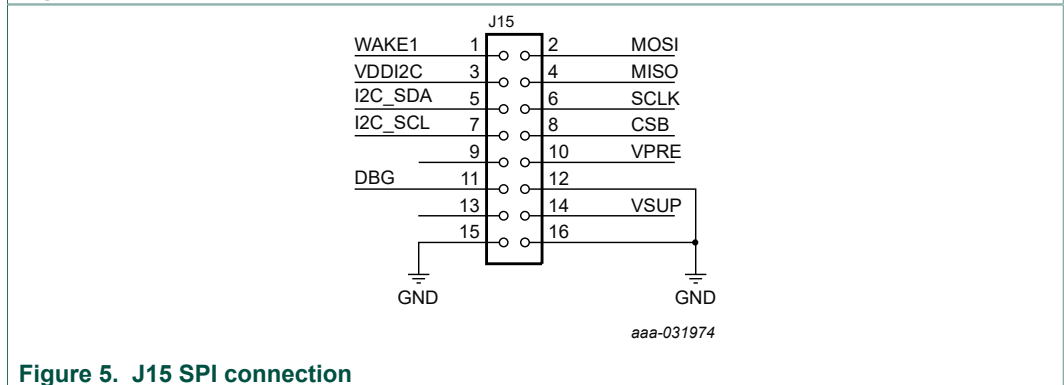


Figure 5. J15 SPI connection

4.1.6 VDDI2C

An external LDO is provided to feed VDDI2C. This LDO can also be used to feed VDDIO, which is the default implementation.

The I2C is compatible with 1.8 V or 3.3 V, while VDDIO is compatible with 3.3 V and 5.0 V. For this reason, the LDO default configuration is 3.3 V. The LDO is supplied by 5.0 V coming from the USB.

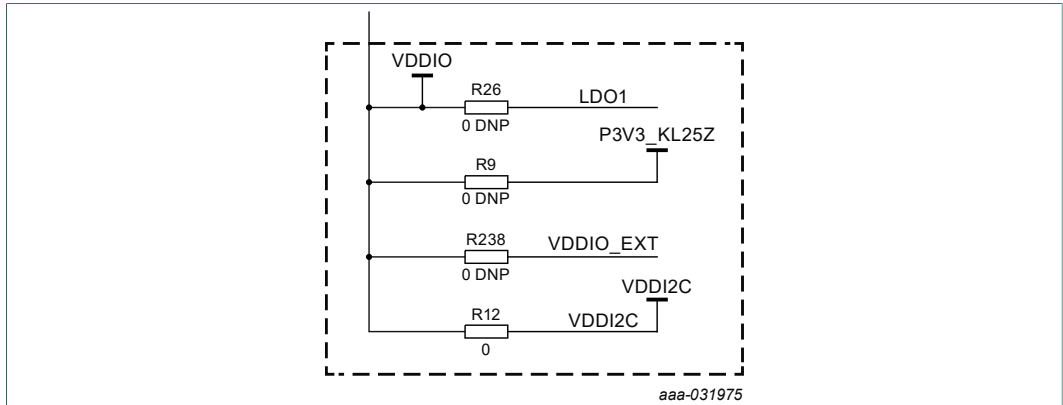


Figure 6. VDDIO selection

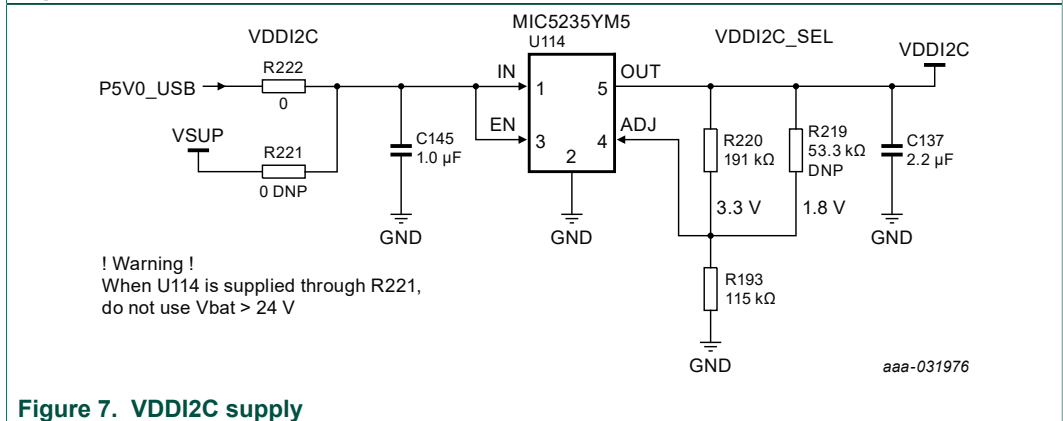


Figure 7. VDDI2C supply

4.1.7 FIN external oscillator

In order to ease the FIN evaluation, a standalone oscillator is installed on the board. It supplies either 425 kHz or 2.4 MHz to the FIN input. The configuration is shown in [Figure 8](#).

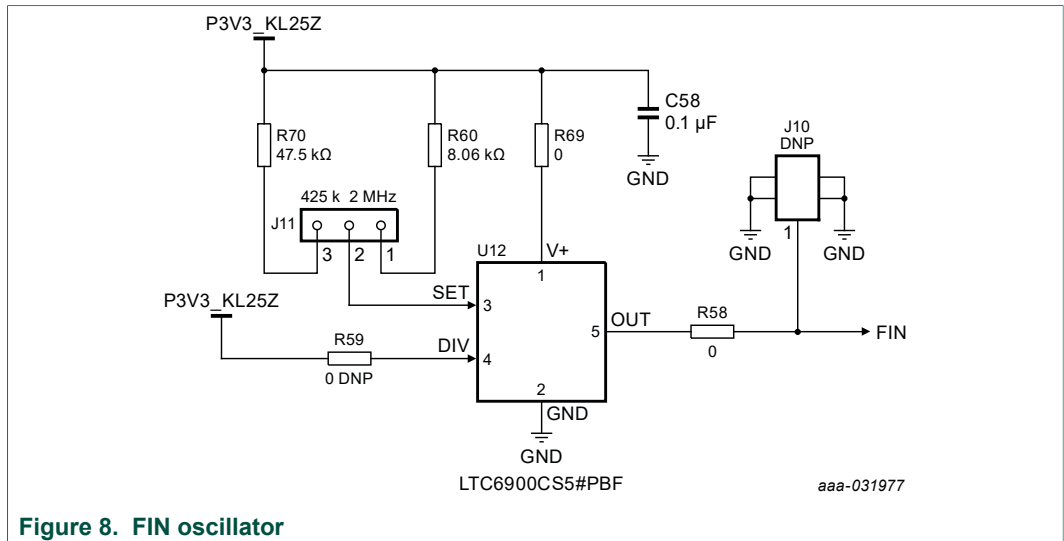


Figure 8. FIN oscillator

4.2 Device OTP user configuration

It is recommended to learn about OTP before operating with the device. The device has a high level of flexibility due to parameter configuration available in the OTP. This impacts the functionality of the device. It is key to understand how OTP parameters can be programmed, the interaction with mirror registers and the FS85 SoC.

The OTP-related operations can be performed either in Emulation mode, where the product uses a given configuration as long as power supply is not switched Off or from OTP fuse content that is valid even after a power down/power up sequence.

4.2.1 OTP and mirrors registers

There are two OTP blocks in the device. One is for the main section, and the other for the fail-safe. During configuration, each of them are using dedicated sectors. The OTP configuration scheme is shown in [Figure 9](#) (same implementation for main and fail-safe).

The device can be fused three times using mirror registers. The user can first load the mirror register content with the desired contents, then decide either to use the device in Emulation mode or to burn the next sector. The first sector to be burned is S1, the second S1bis, and the third S1ter. FlexGUI automatically manages the next sector to be burned. It is not possible to revert to the previous sector. When the user reaches the sector S1ter, there no other possibility for burn, however emulation mode is still available.

Note: When device is operating in Emulation mode using configuration from mirror registers, few parameters must be overwritten by SPI/I2C. This concerns regulator TSD behaviors; VPRE slew rate high-side and low-side VBOOST slew rate. See [Section 8.4.10 "TestMode:Mirrors_Main and TestMode:Mirrors_Failsafe"](#) for additional details.

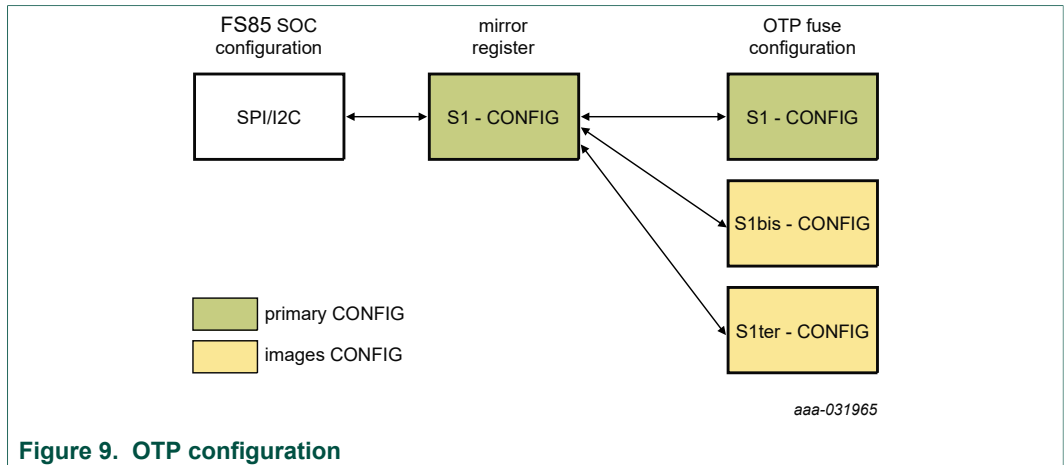


Figure 9. OTP configuration

At boot, the content of the valid sector is loaded into the Mirror Register Sector 1. The mirror register content is accessible from FlexGUI by using specific SPI/I2C commands. The mirror configuration is managed by the FlexGUI, which eases the access.

4.2.2 OTP hardware implementation

To work in OTP emulation or OTP programming, it is required to start the device in Debug mode.

Figure 10 shows the sequence to be followed to enter in Debug mode. The voltage sequence on the kit is done using switches installed on the board, while the OTP registers configuration is managed by the FlexGUI GUI. This is described in detail in the following sections.

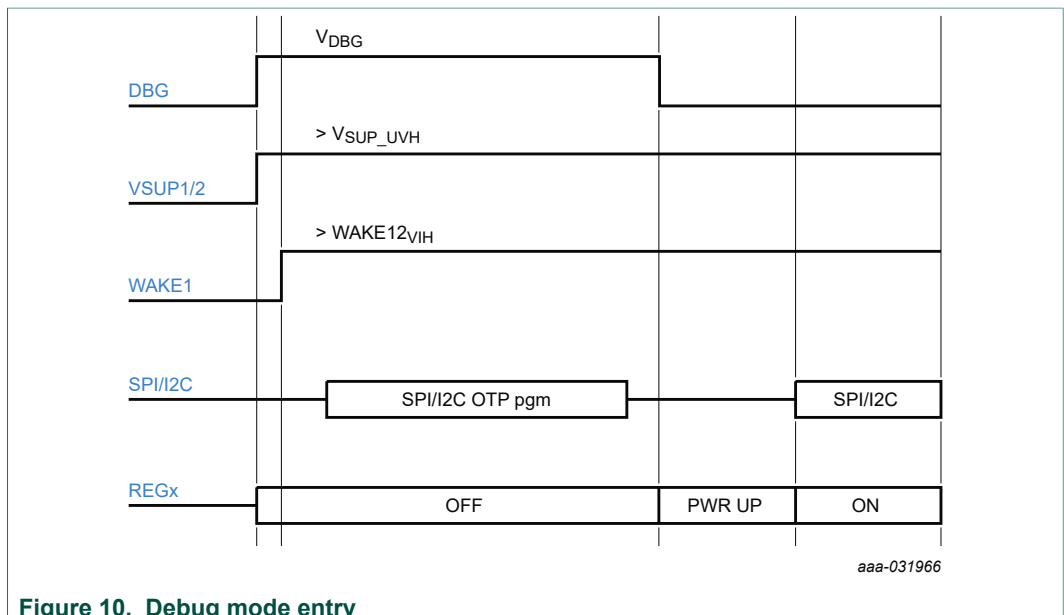


Figure 10. Debug mode entry

Figure 11 shows the hardware kit implementation.

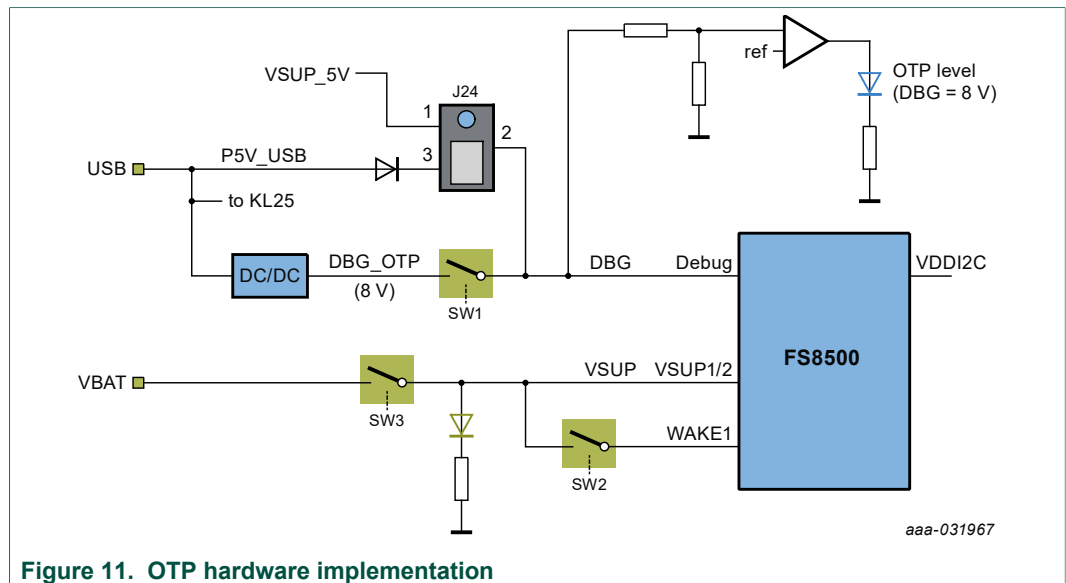
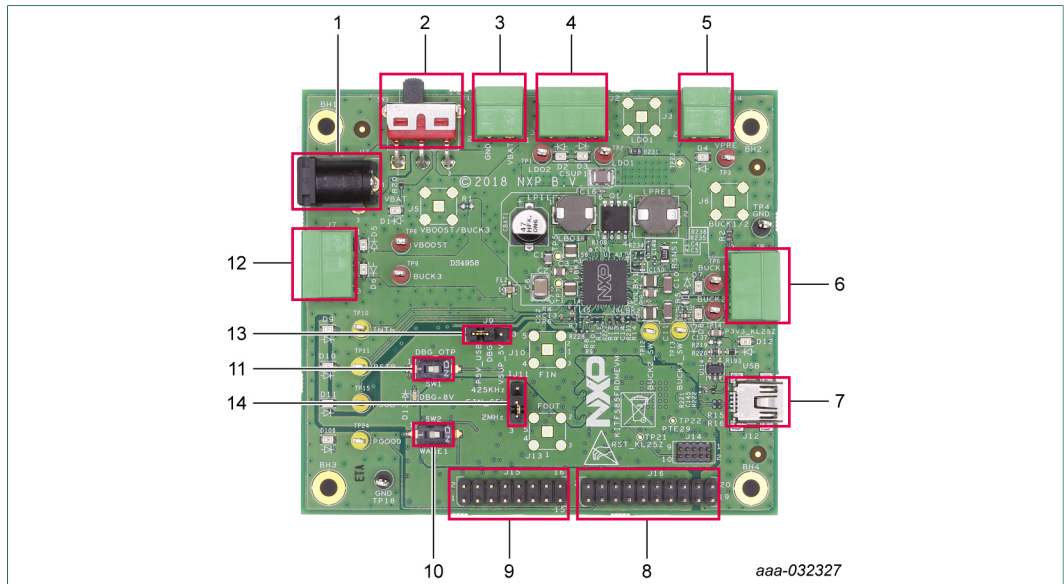


Figure 11. OTP hardware implementation

4.3 Kit featured components

Figure 12 identifies important components on the board and Table 3 provides additional details on these components.



1. VBAT Jack connector
2. VBAT three position switch
3. VBAT Phoenix connector
4. LDO1/LDO2 power supplies
5. VPRE power supply
6. BUCK1/BUCK2 power supply
7. USB connector (for FlexGUI control)
8. Debug connectivity
9. Programming
10. Wake1 switch
11. OTP burning voltage switch
12. VBOOST and BUCK3 power supply
13. DEBUG voltage source
14. FIN frequency selection

Figure 12. Evaluation board featured component locations

Table 3. Evaluation board component descriptions

Number	Description
1	VBAT Jack connector
2	VBAT three position switch <ul style="list-style-type: none"> • Left position: board supplied by Jack connector • Middle position: board not supplied • Right position: board supplied by Phoenix connector
3	VBAT Phoenix connector
4	LDO1/LDO2 power supply
5	VPRE power supply
6	BUCK1/BUCK2 power supply
7	USB connector (for FlexGUI control)

Number	Description
8	Debug connectivity. Access to: <ul style="list-style-type: none"> • VSUP, GND • FOUT/FIN • PGOOD/RSTB/FS0B • FCCUx • WAKE2 • PSYNC, ERRMON, AMUX • VMONx
9	Programming <ul style="list-style-type: none"> • SPI bus • I2C bus • Debug pin • VPRE, VSUP, GND
10	WAKE1 switch
11	OTP burning voltage switch
12	VBOOST and BUCK3 power supply
13	Debug voltage source either from USB (recommended) or from VSUP
14	FIN frequency selection

4.3.1 FS8500/FS8400: Fail-safe system basis chip with multiple SMPS and LDO

4.3.1.1 General description

This device family is part of a global platform FS84 (fit for ASIL B) and FS85 (fit for ASIL D), pin to pin and software compatible. The FS85/FS84 is an automotive functionally safe multi-output power supply integrated circuit, with focus on Radar, Vision, ADAS domain controller, Radio and Infotainment applications. It includes multiple switch mode and linear voltage regulators. It offers external frequency synchronization input and output, for optimized system EMC performance.

The FS85/FS84 includes enhanced safety features, with fail-safe output, becoming a full part of a safety-oriented system partitioning, covering both ASIL B and ASIL D safety integrity level. It is developed in compliance with ISO 26262 standard. Several device versions are available, offering choice in number of output rails, output voltage setting, operating frequency and power up sequencing, to address multiple applications.

4.3.1.2 Features

- 60 V DC maximum input voltage for 12 V and 24 V applications
- VPRE synchronous buck controller with external MOSFETs. Configurable output voltage, switching frequency, and current capability up to 10 A peak.
- Low voltage integrated synchronous BUCK1 converter, dedicated to MCU core supply with SVS capability. Configurable output voltage and current capability up to 3.6 A peak.
- **Based on part number:** low voltage integrated synchronous BUCK2 converter. Configurable output voltage and current capability up to 3.6 A peak. Multi-phase capability with BUCK1 to extend the current capability up to 7.2 A peak on a single rail. Static voltage scaling capability.
- **Based on part number:** low voltage integrated synchronous BUCK3 converter. Configurable output voltage and current capability up to 2.5 A typical peak.

- BOOST converter with integrated low-side switch. Configurable output voltage and max input current up to 1.5 A peak.
- EMC optimization techniques including SMPS frequency synchronization, spread spectrum, slew rate control, manual frequency tuning
- 2x linear voltage regulators for MCU IOs and ADC supply, external physical layer. Configurable output voltage and current capability up to 400 mA DC.
- Standby OFF mode with very low sleep current (10 μ A typ)
- 2x input pins for wake-up detection and battery voltage sensing
- Device control via 32 bits SPI or I2C interface with CRC
- Power synchronization pin to operate 2x FS85 devices or FS85 plus an external PMIC
- Scalable portfolio from ASIL B to ASIL D with independent monitoring circuitry, dedicated interface for MCU monitoring, simple and challenger watchdog function, power good, reset and interrupt, built-in self-test, fail-safe output
- Configuration by OTP programming. Prototype enablement to support custom setting during project development in engineering mode.

4.3.2 Indicators

The following LEDs are provided as visual output devices for the evaluation board:

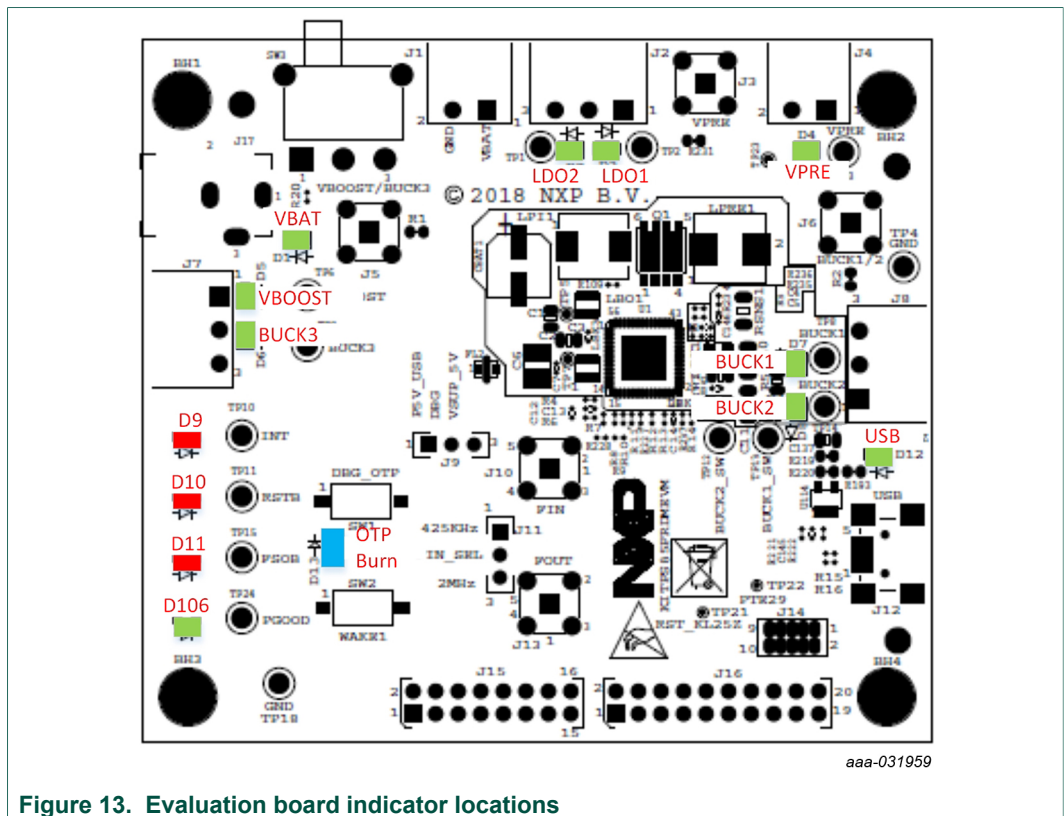


Figure 13. Evaluation board indicator locations

Table 4. Evaluation board indicator descriptions

Label	Name	Color	Description
D1	VBAT	Green	VBAT On
D2	LDO1	Green	LDO1 On
D3	LDO2	Green	LDO2 On

Label	Name	Color	Description
D4	BUCK1	Green	BUCK1 On
D6	BUCK2	Green	BUCK2 On
D7	BUCK3	Green	BUCK3 On
D8	VBOOST	Green	VBOOST On
D9	VPRE	Green	VPRE On
D12	DBG > 8.0 V	Blue	DBG pin voltage > 8.0 V (OTP programming)
D13	RSTB	Red	RSTB asserted (logic level = 0)
D14	INTB	Red	INTB asserted (logic level = 0)
D15	FS0B	Red	FS0B asserted (logic level = 0)
D16	P3V3_KL25	Green	P3V3_KL25 On

4.3.3 Connectors

Figure 14 shows the location of connectors on the board.

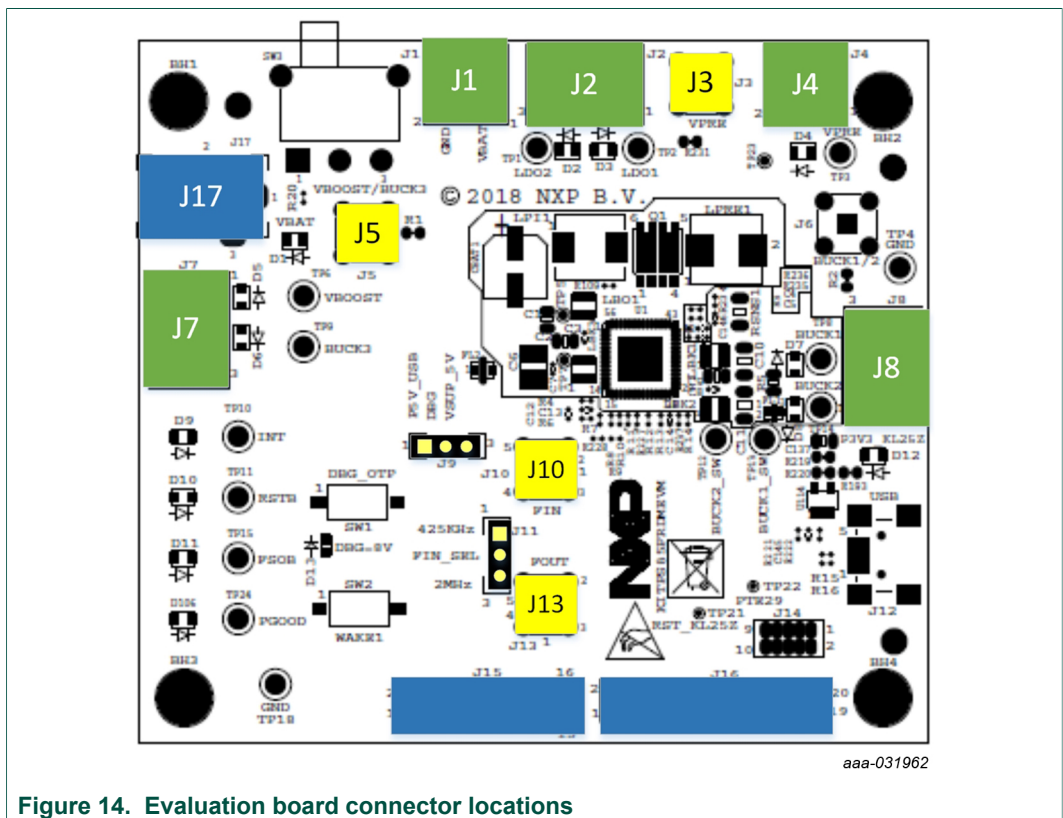


Figure 14. Evaluation board connector locations

4.3.3.1 VBAT connector (J1)

VBAT connects to the board through Phoenix connector (J1).

Table 5. V_{BAT} Phoenix connector (J1)

Schematic label	Signal name	Description
J1-1	VBAT	Battery voltage supply input
J1-2	GND	Ground

4.3.3.2 Output power supply connectors

Table 6. BUCK1/BUCK2 connector (J8)

Schematic label	Signal name	Description
J8-1	BUCK2	BUCK2 power supply output
J8-2	BUCK1	BUCK1 power supply output
J8-3	GND	Ground

Table 7. VBOOST/BUCK3 connector (J7)

Schematic label	Signal name	Description
J7-1	VBOOST	VBOOST output
J7-2	BUCK3	BUCK3 power supply output
J7-3	GND	Ground

Table 8. LDO1/LDO2 connector (J2)

Schematic label	Signal name	Description
J2-1	LDO1	LDO1 power supply output
J2-2	LDO2	LDO2 power supply output
J2-3	GND	Ground

Table 9. VPRE connector (J4)

Schematic label	Signal name	Description
J4-1	VPRE	VPRE power supply output
J4-2	GND	Ground

4.3.3.3 Debug connector (J16)

Table 10. Debug connector (J16)

Schematic label	Signal name	Description
J16-1	FOUT	Frequency synchronization output
J16-2	FIN	Frequency synchronization input
J16-3	PGOOD	Power GOOD
J16-4	VMON1_EXT	Voltage monitoring 1, from external reference
J16-5	INTB	Interrupt, active low
J16-6	VMON2_EXT	Voltage monitoring 2, from external reference
J16-7	RSTB	Reset, active low
J16-8	VMON3_EXT	Voltage monitoring 3, from external reference
J16-9	ERRMON	Error monitoring
J16-10	VMON4_EXT	Voltage monitoring 4, from external reference
J16-11	AMUX	Analog multiplexer
J16-12	FS0B_Out	Fail-safe, active low
J16-13	VDDIO_EXT	VDDIO external reference

Schematic label	Signal name	Description
J16-14	PSYNC	Power synchronization
J16-15	VDDIO	VDDIO used by FS85
J16-16	WAKE2_IN	WAKE2 input
J16-17	FCCU1	Fault collector control unit 1
J16-18	VSUP	VSUP power supply
J16-19	FCCU2	Fault collector control unit 2
J16-20	GND	Ground

4.3.3.4 Program connector (J15)

Table 11. Program connector (J15)

Schematic label	Signal name	Description
J15-1	WAKE1	WAKE1 input
J15-2	MOSI	SPI master output slave input
J15-3	VDDI2C	VDDI2C voltage
J15-4	MISO	SPI master input slave output
J15-5	I2C_SDA	I2C serial data
J15-6	SCLK	SPI clock
J15-7	I2C_SCL	I2C serial clock
J15-8	CSB	SPI chip select
J15-9	n.c.	not connected
J15-10	VPRE	VPRE output
J15-11	DBG	Connected to Debug pin
J15-12	GND	Ground
J15-13	n.c.	not connected
J15-14	VSUP	Connected to VSUP pin
J15-15	GND	Ground
J15-16	GND	Ground

4.3.4 Test points

The following test points provide access to various signals to and from the board.

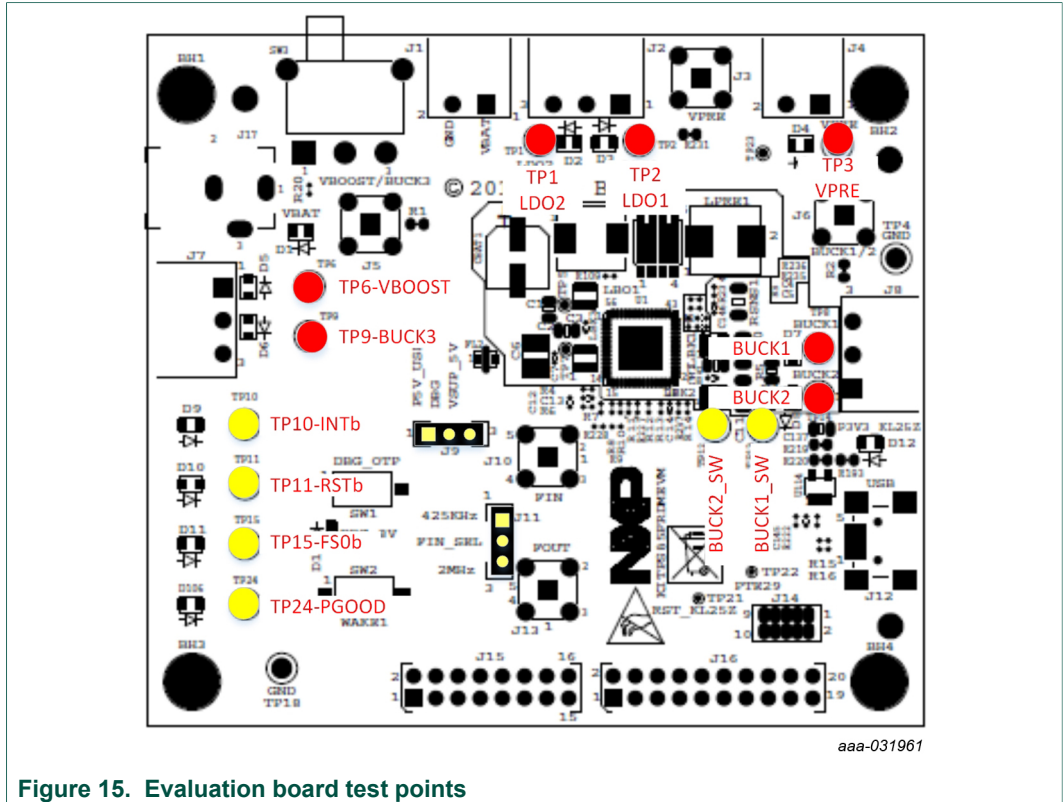


Figure 15. Evaluation board test points

Table 12. Evaluation board test point descriptions

Test point name	Signal name	Description
TP1	LDO2	LDO2 regulator output
TP2	LDO1	LDO1 regulator output
TP3	VPRE	VPRE DC/DC regulator output
TP4	GND	Ground
TP6	VBOOST	VBOOS DC/DC output
TP8	BUCK1	BUCK1 DC/DC regulator output
TP9	BUCK3	BUCK3 DC/DC regulator output
TP10	INTB	Interruption signal, active low
TP11	RSTB	Reset signal, active low
TP14	BUCK2	BUCK2 DC/DC regulator output
TP15	FS0B	Fail-safe output, active low
TP18	GND	Ground
TP24	PGOOD	Power GOOD output, active low

4.3.5 Jumpers

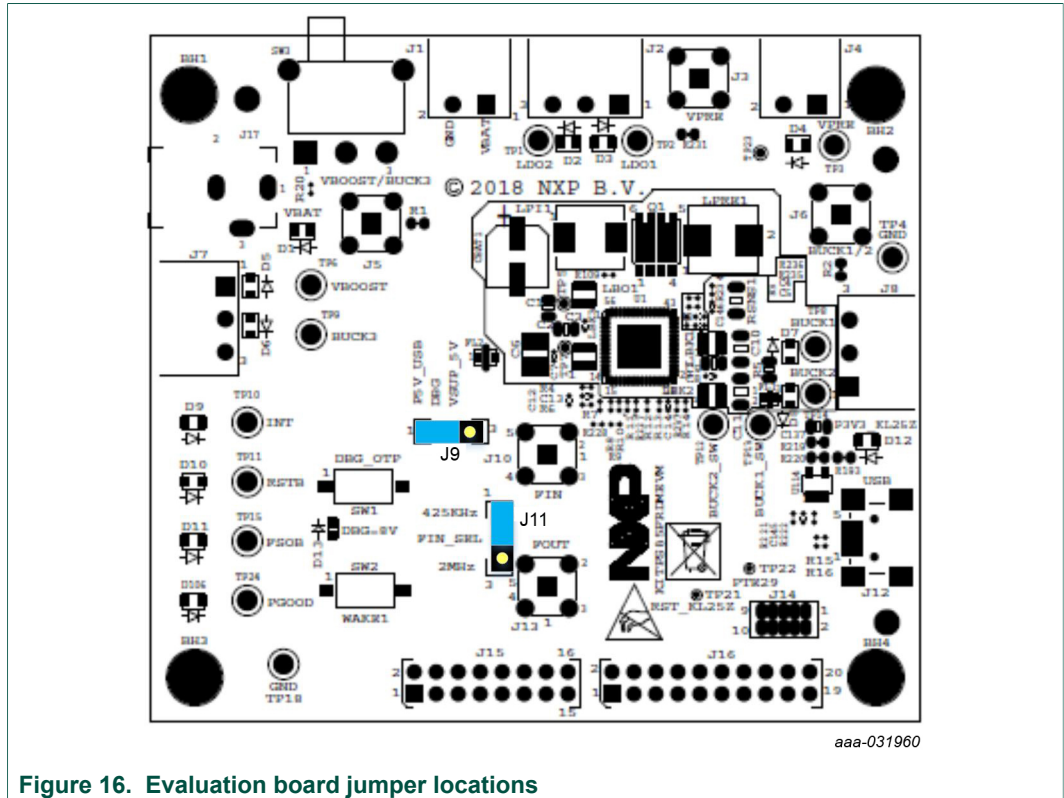


Figure 16. Evaluation board jumper locations

Table 13. Evaluation board jumper descriptions

Name	Function	Pin number	Jumper/pin function
J9	VBAT shunt	1-2	DBG voltage produced from VBAT
		2-3	DBG voltage produced from USB 5.0 V
J11	FIN clock selection	1-2	FIN set to 2.0 MHz
		2-3	FIN set to 425 kHz

4.3.6 Switches

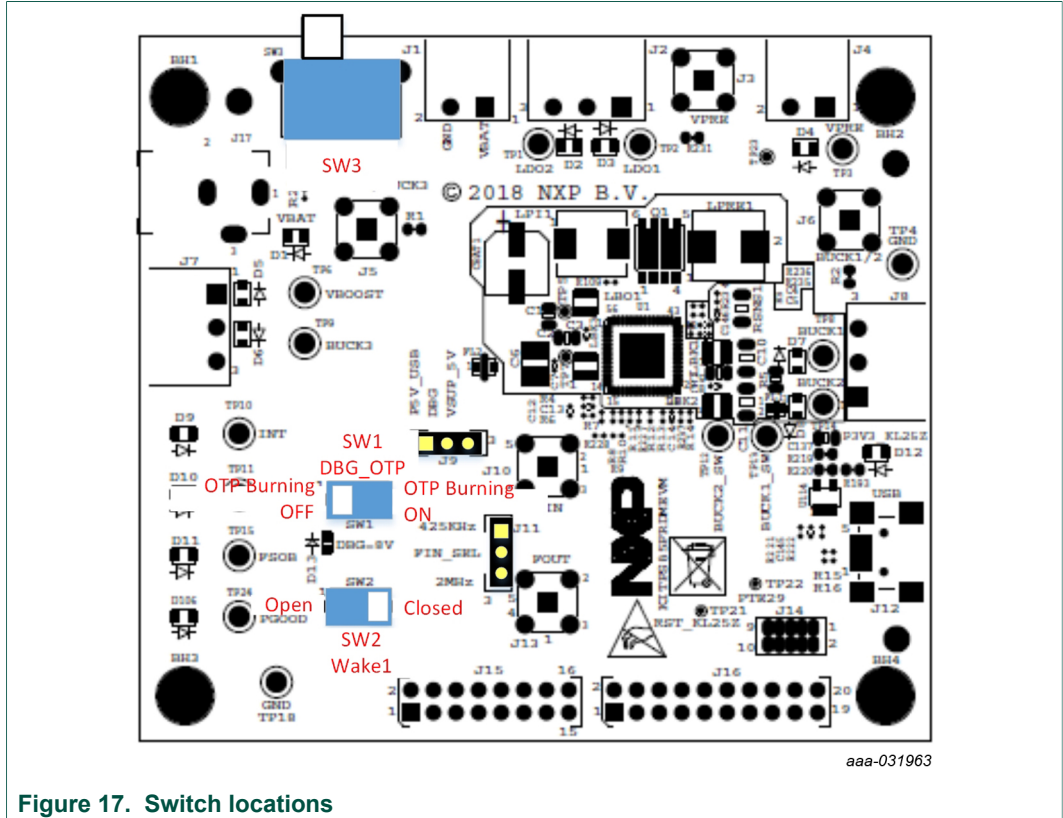


Figure 17. Switch locations

Table 14. SW1

Position	Function	Description
LEFT	OTP programming Off	OTP burning not possible
RIGHT	OTP programming On	8.0 V on DBG pin allows OTP burning (blue LED turns On to indicate this state)

Table 15. SW2

Position	Function	Description
OPEN	WAKE1 open	Wake1 pin not connected to V _{SUP}
CLOSED	WAKE1 closed	Wake1 pin connected to V _{SUP}

Table 16. SW3

Position	Function	Description
LEFT	VBAT On	VBAT from J17
MIDDLE	VBAT Off	Board not supplied
RIGHT	VBAT On	VBAT from J1

4.4 Schematic, board layout and bill of materials

The schematic, board layout and bill of materials for the KITFS85FRDMEVM evaluation board are available at <http://www.nxp.com/KITFS85FRDMEVM>.

5 Installing and configuring software and tools

This development kit uses FlexGUI software. FlexGUI software is based on Java JRE.

Preparing the Windows PC workstation consists of three steps.

1. Install the appropriate Java SE Runtime Environment (JRE).
2. Install Windows 7 FlexGUI driver.
3. Install FlexGUI software package.

5.1 Installing the Java JRE

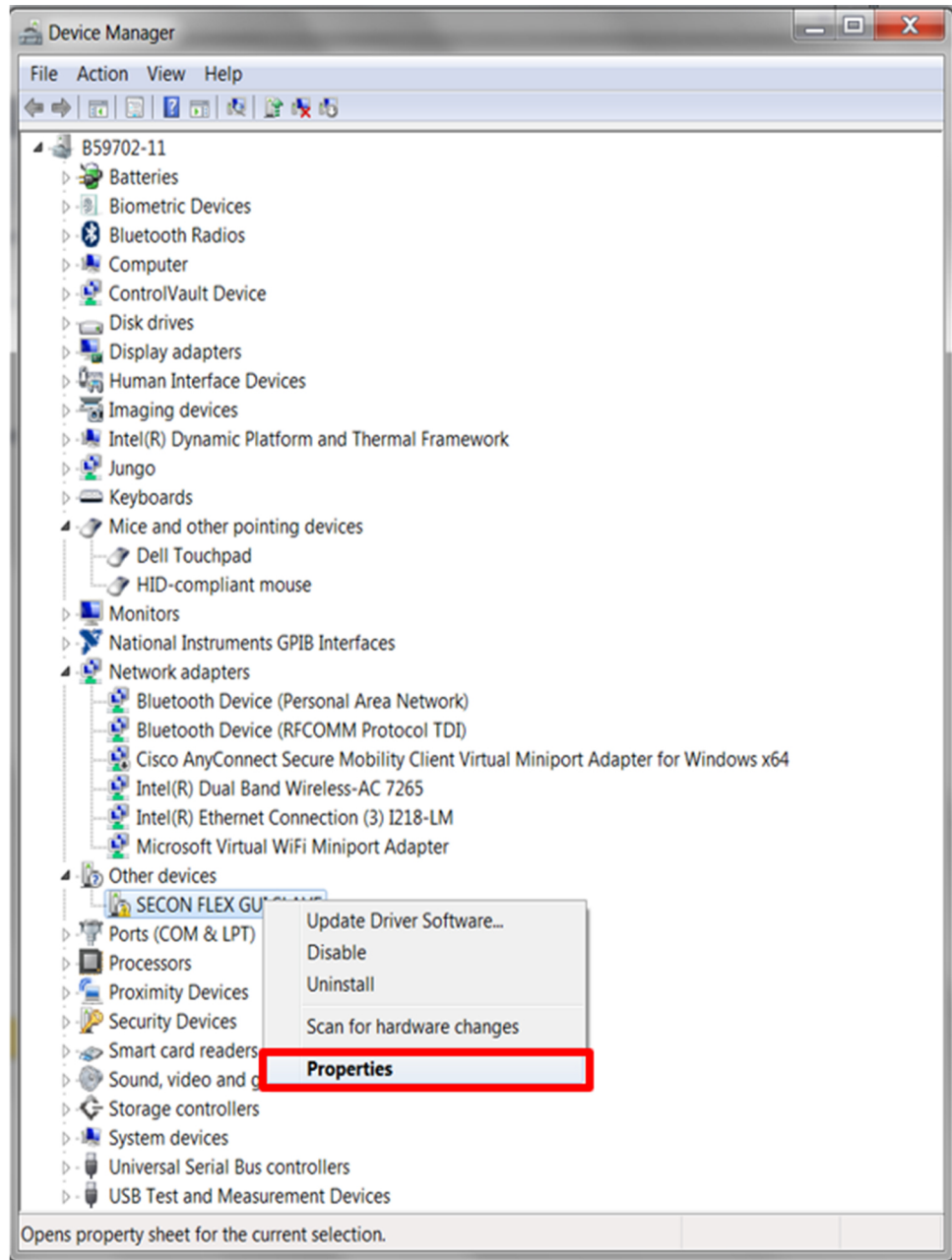
1. Download Java JRE (Java SE Runtime Environment), available at <http://www.oracle.com/technetwork/java/javase/downloads/jre8-downloads-2133155.html> (8u162 or newer).
2. Open the installer and follow the installation instructions.
3. Following the successful installation, restart the computer.

5.2 Installing Windows 7 FlexGUI driver

On Windows 7 PCs, a virtual COM port installation is required. Install the Windows 7 FlexGUI driver using the following procedure.

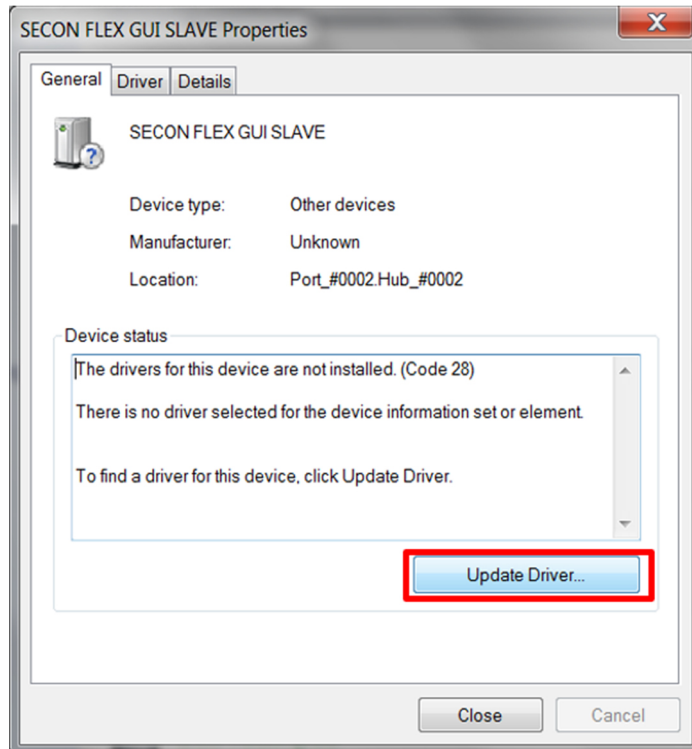
Note: On Windows 10, it is not necessary to install virtual com port as Windows 10 uses a generic COM port driver.

1. Connect the kit to the computer as described in [Section 6 "Configuring the hardware for startup"](#)
2. On the Windows PC, open the **Device Manager**.
3. In the **Device Manager** window, right-click on **SECON FLEX GUI SLAVE**, and then select **Properties**.



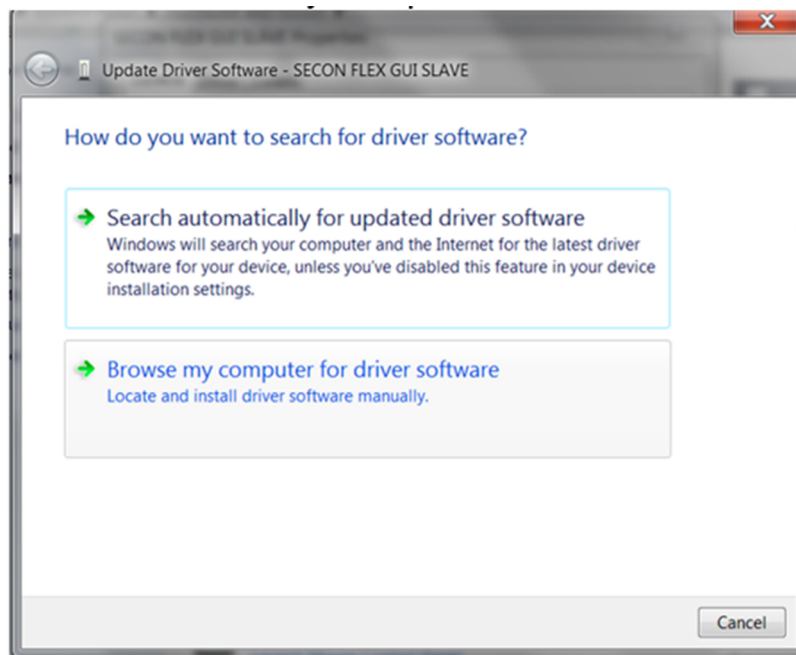
aaa-031982

4. In the **SECON FLEX GUI SLAVE Properties** window, click **Update Driver**.



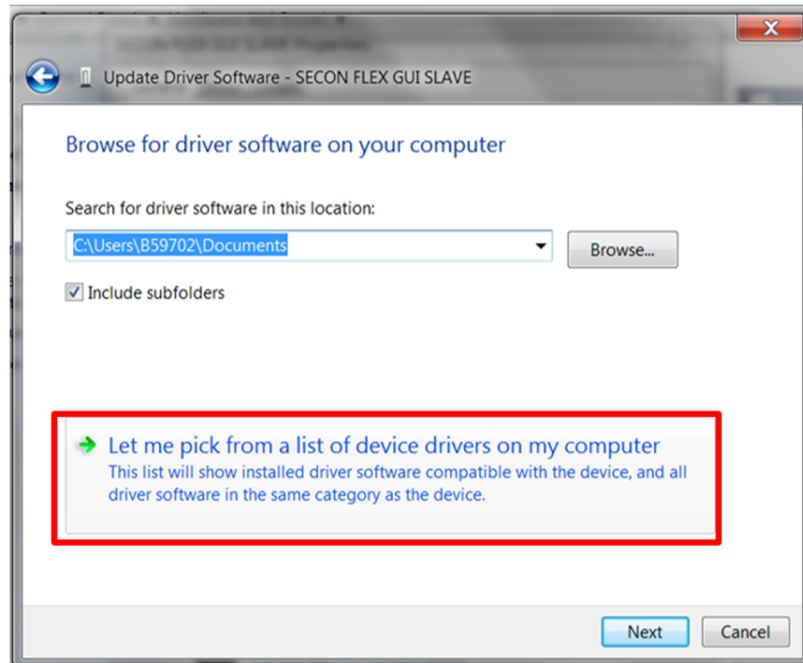
aaa-031983

5. in the **Update Software Driver** window, select **Browse my computer for driver software**.



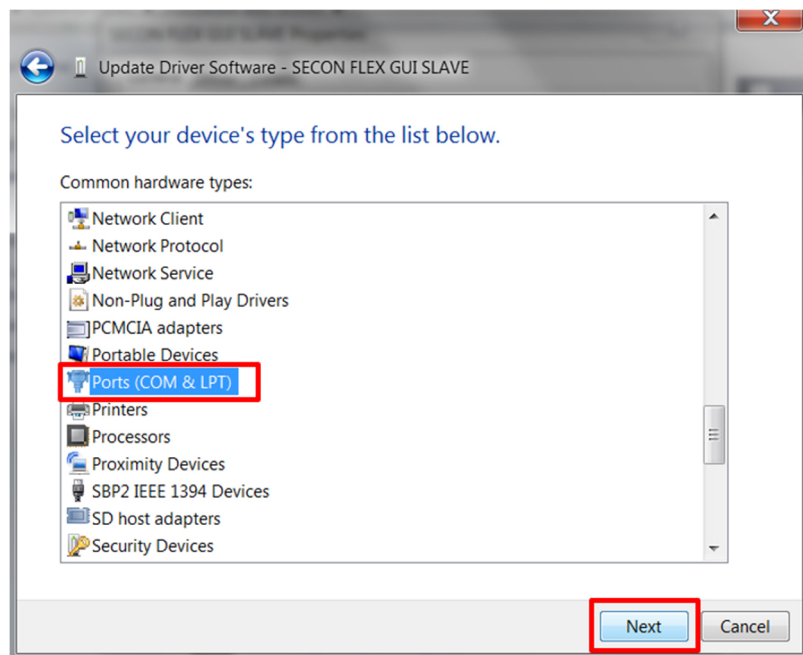
aaa-031984

6. Select **Let me pick from a list of device drivers on my computer**, and then click **Next**.



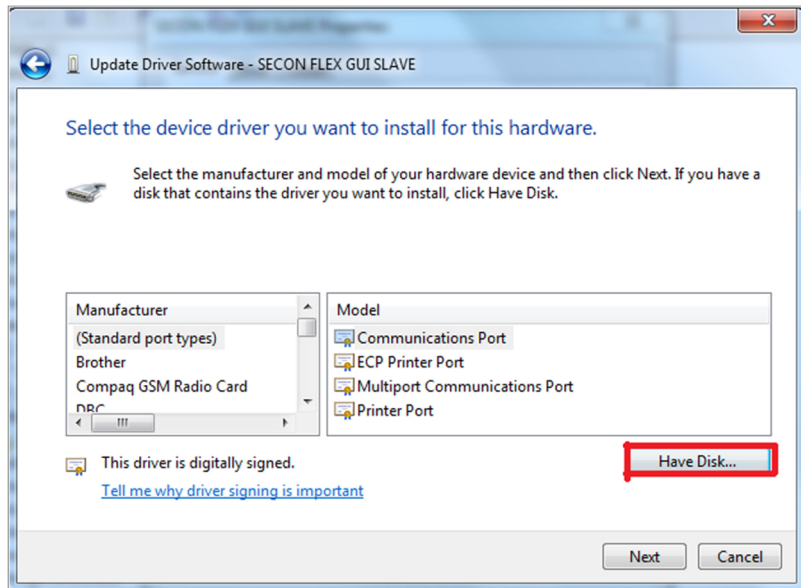
aaa-031985

7. Select **Ports (COM & LPT)** from the list, and then click **Next**.



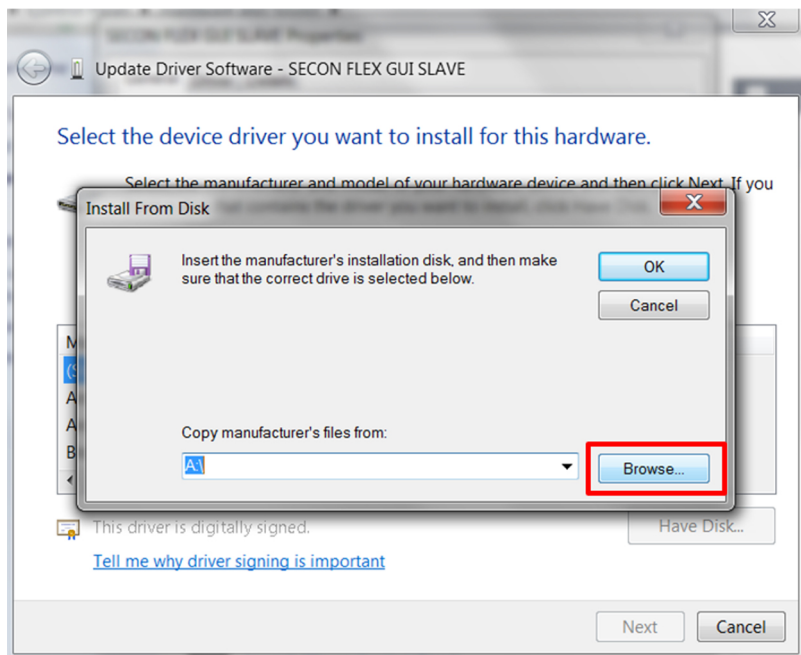
aaa-031986

8. Click **Have Disk**.



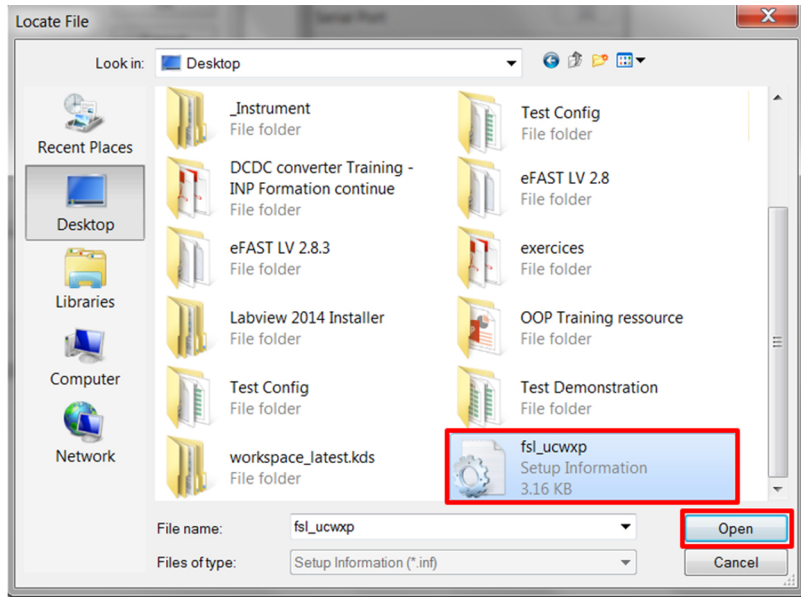
aaa-031987

9. Click **Browse**.



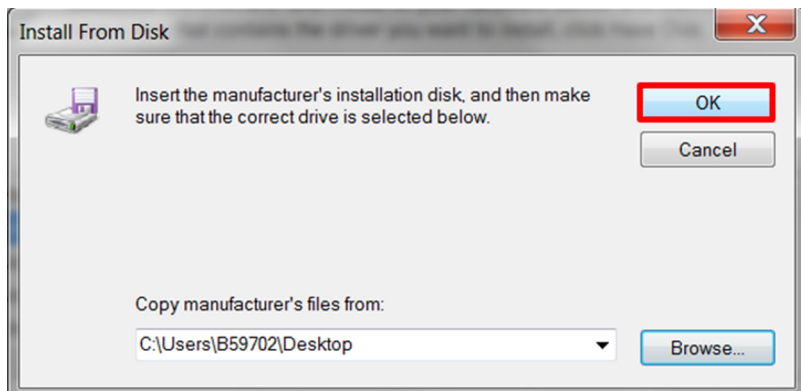
aaa-031988

10. In the **Locate File** window, locate and select **fsl_ucwxp**, and then click **Open**.



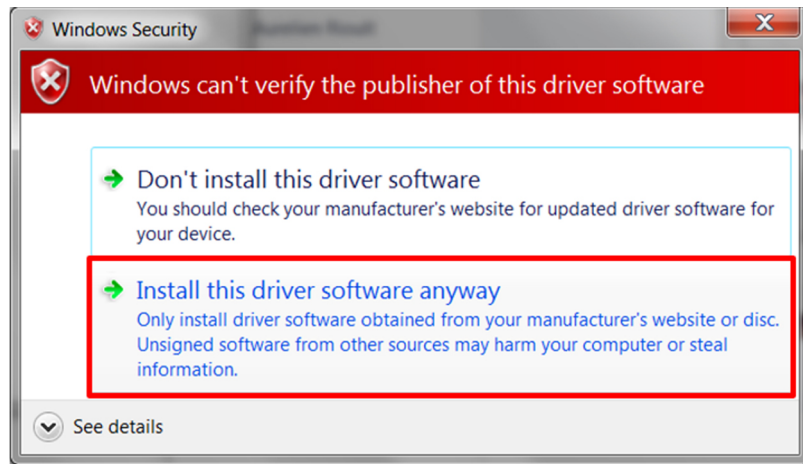
aaa-031989

11. In the **Install from Disk** window, click **OK**.



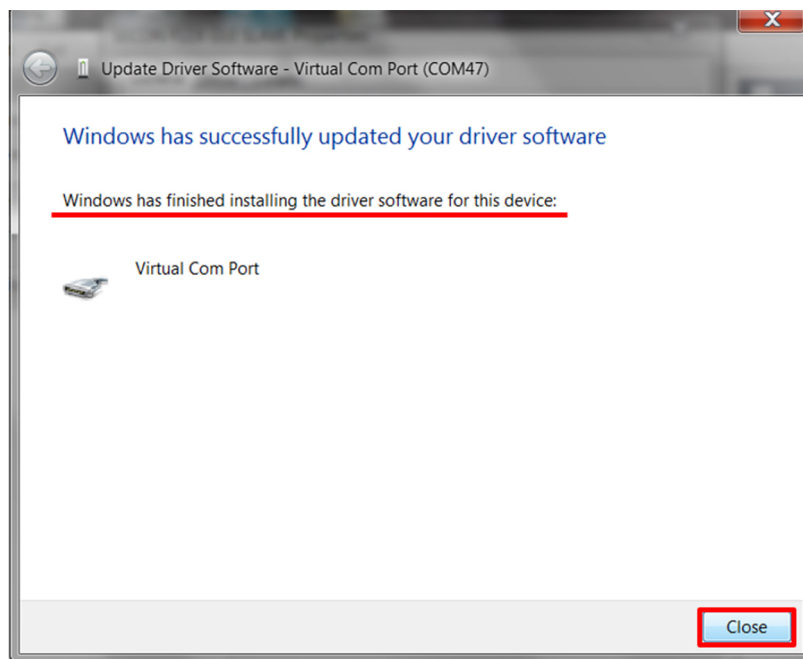
aaa-031990

12. If prompted, in the **Windows Security** window, click **Select this driver software anyway**.



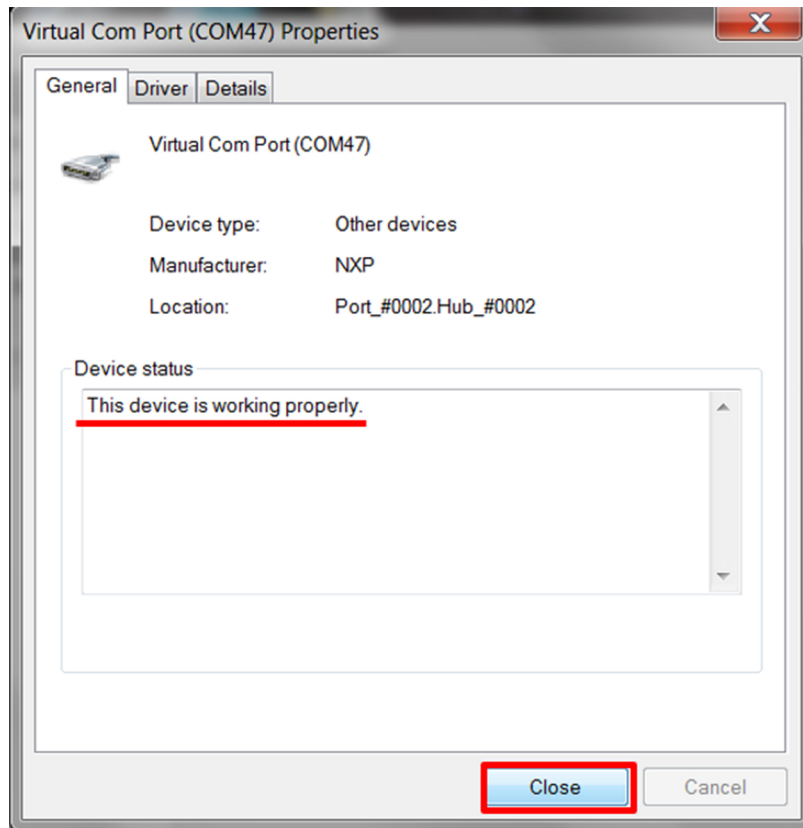
aaa-031991

13. Close the window when the installation is complete.



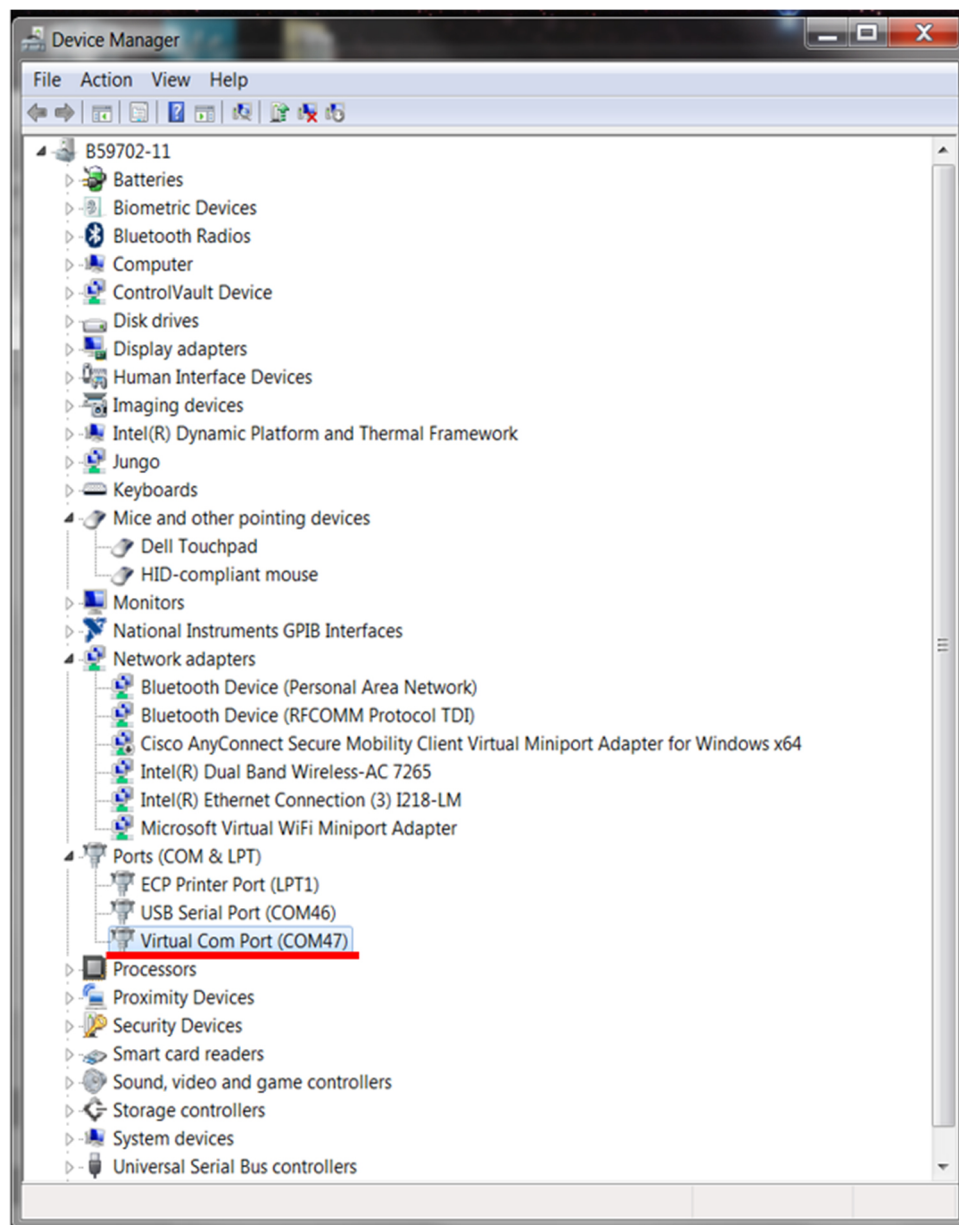
aaa-031992

14. In the **Virtual Com Port Properties** window, verify that the device is working properly, and then click **Close**.



aaa-031093

The Virtual Com Port appears in the Device Manager window.



aaa-031994

5.3 Installing FlexGUI software package

The FlexGUI software installation requires only extracting the zip file in a desired location.

1. If necessary, install the Java JRE and Windows 7 FlexGUI driver.
2. Download the latest FlexGUI (32-bit or 64-bit) version, available at <http://www.nxp.com/KITFS85FRDMEVM>.
3. Extract all the files to a desired location on your PC.
FlexGUI is started by running the batch file, `bin\flexgui-app-fs85.bat`.

6 Configuring the hardware for startup

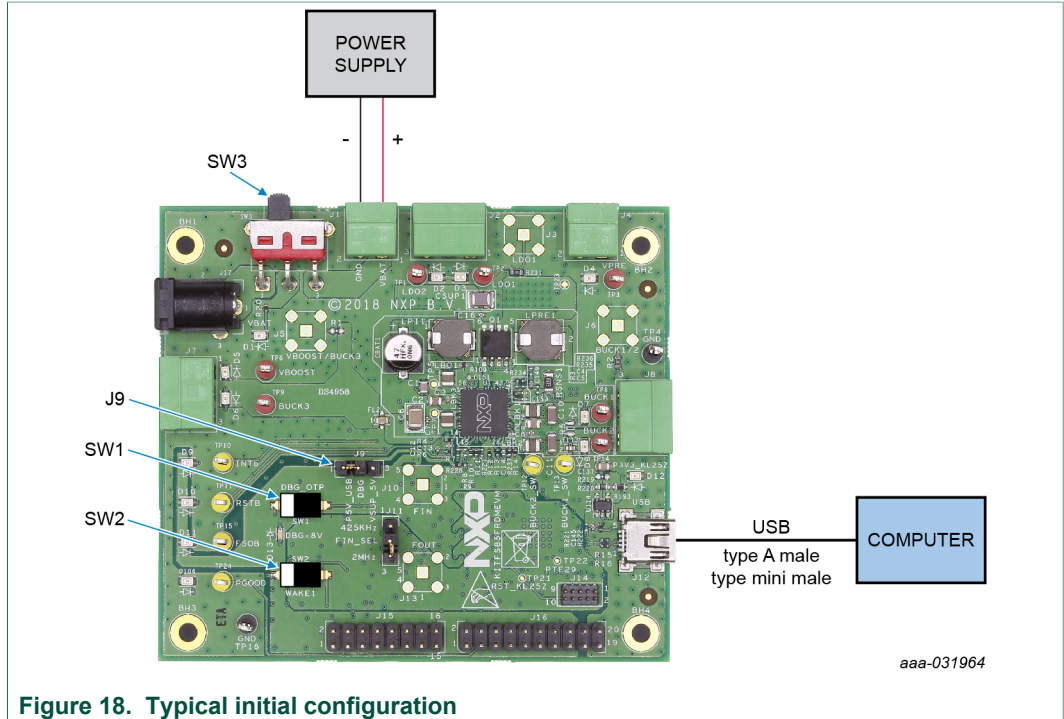


Figure 18. Typical initial configuration

Figure 18 presents a typical hardware configuration incorporating the development board, power supply, and Windows PC workstation.

To configure the hardware and workstation as illustrated in Figure 18, complete the following procedure:

1. Install jumpers for the configuration.

Table 17. Jumper configuration

Jumper	Configuration
J9	connect 1-2 (connect 5.0 V on DBG pin from the USB)

2. Configure switches for the configuration.

Table 18. Switch configuration

Switch	Configuration
SW3	middle position (VBAT off)
SW1	open (OTP programming Off)
SW2	open (WAKE1)

3. Connect the Windows PC USB port to the KITFS85FRDMEVM development board using the provided USB 2.0 cable.

Set the DC power supply to 12 V and current limit to 1.0 A. With power turned off, attach the DC power supply positive and negative output to KITFS85FRDMEVM VBAT Phoenix connector (J1).

4. Turn on the power supply.
5. Close SW2.

Note: At this step, the product is in debug mode and all regulators are turned Off. The user can then power up with OTP configuration or configure the mirror registers before power up. Power up is effective as soon as J9 jumper is removed.

7 Using the KITFS85FRDMEVM evaluation board

This section summarizes the overall setup. Detailed description is provided in the following sections.

Before starting the process, choose the mode you want to run the device.

- In Normal mode, the configuration comes from OTP fuses.
- In Debug mode, you can either use the current configuration from OTP fuse, if any, or use the OTP emulation mode to write in the mirror register.

The Normal mode or Debug mode is defined at startup depending on the DBG pin level.

- Normal mode is set by tying DBG to ground.
- Debug mode is set by setting DBG voltage to 5.0 V.

In OTP emulation, you can overwrite the mirror registers from a given OTP fuse configuration. See [Section 4.2.1 "OTP and mirrors registers"](#) and [Section 8.3 "Working with the Script editor"](#) to define your configuration.

In OTP fuse configuration, use the configuration fused in the OTP. So, if a valid OTP fuse configuration exists, then it is copied to the mirror registers at startup.

7.1 Generating the OTP configuration file

Define and generate your OTP configuration using the excel file *FS85_FS84_OTP_Config.xlsm*. This file allows configuring the device for parameters controlled by the main state machine and the fail-safe state machine.

To generate the script:

1. Fill data in the **OTP_conf_main_reg** sheet.

MAIN OTP_REGISTERS											
Register Name	DDRES	BIT7	BIT6	BIT5	BIT4	BIT3	BIT2	BIT1	BIT0	Data_Bin	Data_Hex
OTP_CFG_VPRE_1	14	-	-	-	-	VPRE[V5:0]	-	-	-	00100000	0x20
OTP_CFG_VPRE_2	15	-	-	-	-	VPRESC[6:0]	-	-	-	00000111	0x07
OTP_CFG_VPRE_3	16	-	VPRELIM[1:0]	VPRETOFF[1:0]	VPRESLS[1:0]	VPRESPHS[1:0]	-	-	-	10101100	0xAC
OTP_CFG_BOOST	17	-	10 - 120mV	10 - 40ns	Reserved	VBST[3:0]	VBST[3:0]	VBST[3:0]	VBST[3:0]	00001101	0x0D
OTP_CFG_BOOST	18	BOOSTEN	VBSTONTIME[1:0]	-	-	VBSTSC[4:0]	-	-	-	10001100	0x8C
OTP_CFG_BOOST	19	1 - Enabled	VBSTRCOMP[1:0]	00 - 60ns	VBSTCCOMP[1:0]	VBSTLIM[1:0]	0100 - 125mV/ps	VBSTSR[1:0]	11 - 500V/ps	00001111	0x0F
OTP_CFG_BUCK1	1A	-	-	-	-	VBW[7:0]	-	-	-	10001000	0x08
OTP_CFG_BUCK1	1B	-	otp Spare[2:0]	-	VBINDOPT[1:0]	VBINDOPT[1:0]	VBVSILIM[1:0]	VB2MULTIPH	0 - Disabled	00001100	0x06
OTP_CFG_BUCK2	1C	-	-	-	-	VBW[7:0]	10100000 - 1.25V	-	-	10110001	0xB1
OTP_CFG_BUCK2	1D	-	VB2NDOP[1:0]	BUCK2EN	1 - Enabled	VB2SVILIM[1:0]	VB2CTRL_RC	VB2CYLGM	0 - Default	00011100	0x1C
OTP_CFG_BUCK3	1E	BUCK3EN	VB3NDOP[1:0]	-	-	VB3V[4:0]	0101 - 3.3V	-	-	10101010	0x35
OTP_CFG_BUCK3	1F	1 - Enabled	VB2GMCOMP[2:0]	00 - 1µH	VB2GMCOMP[2:0]	VB2GMCOMP[2:0]	VB2GMCOMP[2:0]	VB2SVILIM[1:0]	11 - 4.5A	10010111	0x33
OTP_CFG_LDO	20	LD0ILIM	LD02V[2:0]	LD0ILIM	LD0ILIM	LD0V[2:0]	-	-	-	01111111	0x7F
OTP_CFG_SEQ_1	21	0 - 400mA	-	111 - 5.0V	VB2S[2:0]	1 - 80mA	-	VBIS[2:0]	-	00000000	0x00
OTP_CFG_SEQ_2	22	-	-	-	000 - Regulator Start and Stop in Slot 0	LD0S[2:0]	000 - Regulator Start and Stop in Slot 0	LD0S[2:0]	-	00110000	0x38
OTP_CFG_SEQ_3	23	DVS_BUCK[1:0]	DVS_BUCK[1:0]	111 - Regulator does not Start (Enabled by SPI2CC)	Tsot	VBSS[2:0]	000 - Regulator Start and Stop in Slot 0	VBSS[2:0]	-	00000000	0x00
OTP_CFG_CLOCK	24	-	-	-	00 - 7.8mV/ps	00 - 10.4mV/ps	0 - 25µs	000 - Regulator Start and Stop in Slot 0	-	00000100	0x04
OTP_CFG_CLOCK	25	-	-	-	VPRE_pH[2:0]	000 - delay 0	100 - divide by 44 - CLK/2-459KHz	VBST_pH[2:0]	-	00110000	0x30
OTP_CFG_CLOCK	26	-	-	-	110 - delay 0	BUCK3_pH[2:0]	000 - delay 0	BUCK3_pH[2:0]	-	00101000	0x18
OTP_CFG_CLOCK	27	BUCK3_clk_sel	BUCK2_clk_sel	BUCK1_clk_sel	VBST_clk_sel	VPRE_clk_sel	PULL_sel	CLK_DIV[1:0]	0 - Disabled	00001010	0x0A
OTP_CFG_SM_1	28	0 - CLK1	0 - CLK1	0 - CLK1	0 - CLK1	1 - CLK2	conf_tsd[6:0]	10 - divide by 9 - CLK/2-2.22MHz	-	00010100	0x14
OTP_CFG_SM_2	29	otp Spare[2:0]	0 - BOOST Shutdown	1 - BUCK1 Shutdown	0 - BUCK2 Shutdown	1 - BUCK3 Shutdown	0 - LDO1 Shutdown	0 - LDO2 Shutdown	-	00011100	0x1C
OTP_CFG_VSUP_U	2A	-	-	-	00000000	Autoreg_en	Autoreg_en	PSVINC_CFG	PSVINC_CFG	00011100	0x1C
OTP_CFG_UC	2B	-	-	-	-	1 - Enabled	0 - 4.3V for Vpre < 4.5V	0 - 4.3V for Vpre < 4.5V	-	00000000	0x00
OTP_CFG_OV	2C	-	-	-	-	-	M_LCDEVADDR[2:0]	0001 - Address D1	-	00000001	0x01
OTP_CFG_DEVID	2D	-	-	-	-	-	VDDIO_REG_ASSIGN[2:0]	100 - BUCK3	-	00000100	0x04
OTP_CFG_DEVID	2D	-	-	-	-	-	DeviceID[7:0]	00000001	-	00000001	0x01
OTP_M_S1_CRC_LS	2E	-	-	-	-	-	OTP_M_S1_CRC_LSB[7:0]	Automatically filled in by Sidence IP	-	00000000	0x00
OTP_M_S1_CRC_MS	2F	-	-	-	-	-	OTP_M_S1_CRC_MSB[7:0]	Automatically filled in by Sidence IP	-	00000000	0x00

Figure 19. OTP_conf_main_reg spreadsheet example

2. Fill data in the OTP_conf_failsafe_reg sheet.

FAIL-SAFE OTP_REGISTERS											
Register Name	ADDRESS	BIT7	BIT6	BIT5	BIT4	BIT3	BIT2	BIT1	BIT0	Data_Bin	Data_Hex
OTP_CFG_UVUV_1	0A	-	-	-	-	VCORE_V[7:0]	-	-	-	10001000	0x88
OTP_CFG_UVUV_2	0B	-	-	-	-	10001000 - 1.25V	-	-	-	1111 - 112%	0x0F
OTP_CFG_UVUV_3	0C	-	-	-	-	VDDIO_V	-	-	-	11111111	0xFF
OTP_CFG_UVUV_4	0D	-	-	-	-	0 - 3.3V	-	-	-	00000000	0x00
OTP_CFG_UVUV_5	0E	-	-	-	-	VMON3OVTH[3:0]	-	-	-	1111 - 112%	0xFF
OTP_CFG_UVUV_6	0F	-	-	-	-	VMON4OVTH[3:0]	-	-	-	11111111	0xFF
OTP_CFG_UVUV_7	10	-	-	-	-	VMON2OVTH[3:0]	-	-	-	11111111	0xFF
OTP_CFG_UVUV_8	11	-	-	-	-	VMON1OVTH[3:0]	-	-	-	11111111	0xFF
OTP_CFG_PG00D	12	-	-	-	-	PGOOD_VMON4	PGOOD_VMON3	PGOOD_VMON2	PGOOD_VMON1	PGOOD_VDDIO	PGOOD_VCORE
OTP_CFG_ABIST1	13	otp Spare[1:0]	0 - Not assigned	0 - Not assigned	0 - Not assigned	0 - Not assigned	0 - Not assigned	0 - Not assigned	0 - Not assigned	0 - Not assigned	0 - Not assigned
OTP_CFG_ASIL	14	WD_DIS	WD_Selection	ERRMON_EN	FCCU_EN	VMON4_EN	VMON3_EN	VMON2_EN	VMON1_EN	0 - Not assigned	0 - Not assigned
OTP_CFG_I2C	15	0 - Enabled	0 - Simple I2C	0 - Disabled	0 - Disabled	0 - Disabled	0 - Disabled	0 - Disabled	0 - Disabled	0 - Disabled	0 - Disabled
OTP_CFG_DGLT_DUR_1	16	otp Spare[1:0]	-	-	-	VCORE_UV_DGLT[1:0]	VCORE_OV_DGLT	VDDIO_UV_DGLT[1:0]	VDDIO_OV_DGLT	00000000	0x00
OTP_CFG_DGLT_DUR_2	17	-	-	-	-	10 - 25us	1 - 45us	VMONx_UV_DGLT[1:0]	VMONx_OV_DGLT	00101101	0x2D
OTP_FS_S1_CRC_LSB	18	-	-	-	-	-	-	OTP_FS_S1_CRC_LSB[7:0]	1 - 45us	00000101	0x05
OTP_FS_S1_CRC_MSB	19	-	-	-	-	-	-	OTP_FS_S1_CRC_MSB[7:0]	1 - 45us	00000000	0x00

Figure 20. OTP_conf_failsafe_reg spreadsheet example

3. See the OTP_conf_summary sheet to review the complete configuration (main and fail-safe).

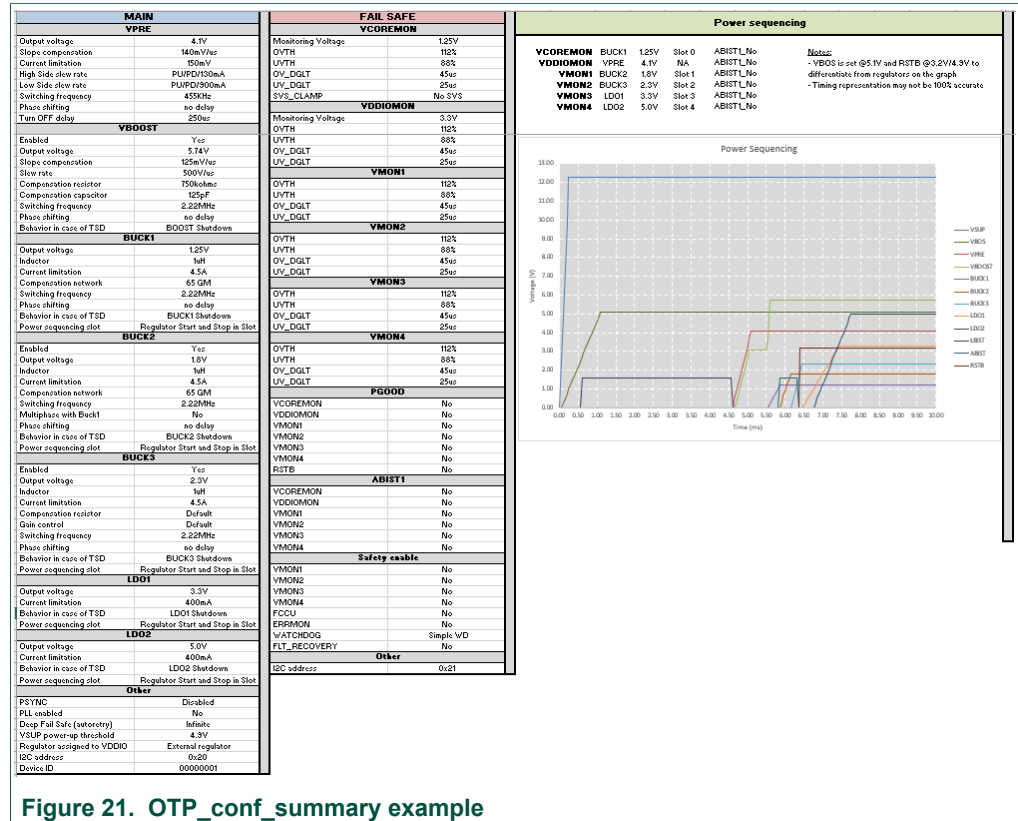


Figure 21. OTP_conf_summary example

4. Generate script in the **OTP_conf_file_generation** sheet. Once the configuration is ready, the user can generate the script file. Go to **OTP_conf_file_generation**, enter the path in the **File repository**, and then click **Write_OTP_File_GUI**.

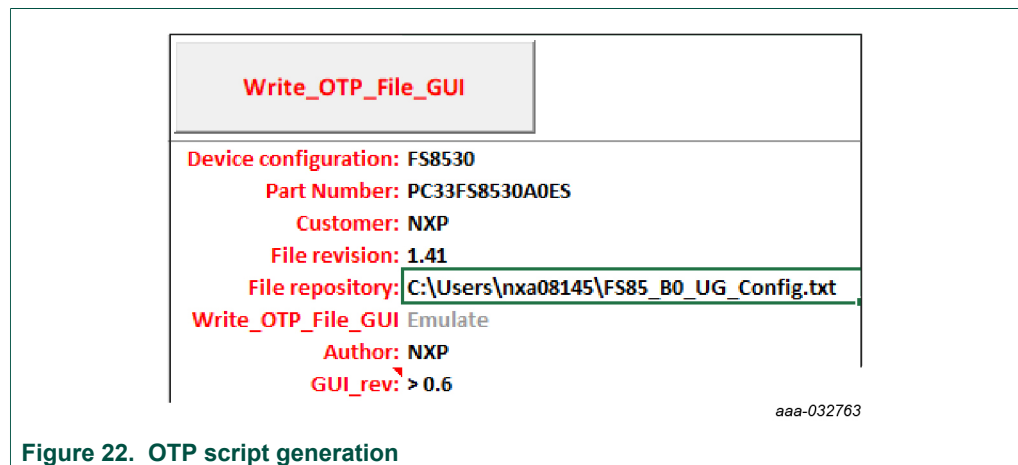


Figure 22. OTP script generation

7.2 Working in OTP emulation mode

At startup, the device always uses the content from the mirror register. This content can come from OTP fuse or from configuration written directly in the mirror register. OTP emulation means that the user can emulate the OTP writing in the mirror register. This allows trials before burning the OTP.

1. Configure the hardware. See [Section 6 "Configuring the hardware for startup"](#).
2. Launch the FlexGUI software.
3. Switch to Debug mode:
 - a. Place SW3 in the right direction (VBAT switched On).
 - b. Close SW2 (WAKE1).While in Debug mode, all regulators are turned Off.
4. Load the mirror registers to work in OTP emulation mode. See [Section 8.3 "Working with the Script editor"](#).
5. Unplug jumper J9 1-2 to start the device with the mirror configuration setting.
 - a. If the mirror registers are filled (with a configuration using the Script editor), that configuration is used in the emulation session.
 - b. If the mirror registers are not filled (with a configuration using the Script editor), the currently-programmed OTP fuse configuration is used, if it exists.
 - c. Otherwise, the mirror registers are not filled and the OTP fuse is not burned, and the device will not start up.

As long as initialization phase is not closed by a first good WD_Answer, the WD does not start and regulators do not stay alive. Also, as long as Debug mode is not exited by writing FS_STATES:[DBG_EXIT] bit to 1, the FS0B pin cannot be released.

6. Use the FlexGUI software to evaluate the device configured. See [Section 8 "Using FlexGUI"](#).

7.2.1 Example script: Closing initialization phase, disabling FCCU monitoring, and releasing FS0B

The following script can be used to:

- Disable the WD.
- Disable the FCCU monitoring.
On the hardware kit, the FCCU1 is pulled to GND and FCCU2 is pulled to VDDIO. Disabling the FCCU by SPI/I2C avoids safety issue at startup.
- Close the initialization phase.
- Exit the Debug mode.
- Release FS0B pin. This is valid only if WD is activated in OTP.
Seven good consecutive WD answers are required to have the FLT_ERR_CNTR back to 0. This is one of the conditions to allow FS0B release.

Table 19. FS85 starting sequence example

Step	Register name	Value	Description
1	FS_WD_WINDOW	0x0200	WDW_WINDOWS[3:0] = 0x0 => Watchdog disabled
2	FS_NOT_WD_WINDOW	0xF50F	NOT of FS_WD_WINDOW
3	FS_I_SAFE_INPUTS	0x51C6	FCCU_CFG[1:0] = 0x0 => 0x1 => Monitoring by pair FCCU12_FLT_POL[0] = 1 => FCCU1 or 2 = 0 is a fault
4	FS_I_NOT_SAFE_INPUTS	0xAC18	NOT of FS_I_SAFE_INPUTS
5	FS_WD_ANSWER	0x5AB2	First good WD answer (for simple WD selection in OTP) Close the initialization phase
6	FS_STATES	0x4000	DBG_EXIT[0]=1 => Exit Debug mode
7	FS_WD_ANSWER	0x5AB2	Second good WD answer
8	FS_WD_ANSWER	0x5AB2	Third good WD answer
9	FS_WD_ANSWER	0x5AB2	Fourth good WD answer
10	FS_WD_ANSWER	0x5AB2	Fifth good WD answer
11	FS_WD_ANSWER	0x5AB2	Sixth good WD answer
12	FS_WD_ANSWER	0x5AB2	Seventh good WD answer
13	FS_RELEASE_FS0B	0xB2A5	FS0B pin released (pulled to high level)
14	MFLAG2	0x40F1	Clear flags VSUPUV7; VPREUVL, VSUPUVL, WAKE1FLG
15	FS_OVUVREG_STATUS	0x4550	Clear UV status flags

This sequence can be sent using a script built with FlexGUI. See [Section 8.3.2 "Script sequence files"](#).

7.3 Programming the device with an OTP configuration

The device configuration can be changed three times (see [Section 4.2.1 "OTP and mirrors registers"](#)). The programming steps are the same as the OTP emulation mode up to step 6.

Then, the user has to burn the part with FlexGUI. See [Section 8.4.8 "OTP programming"](#). Follow the instructions on the screen to proceed.

8 Using FlexGUI

To follow the steps in this section, make sure that the board is connected using the appropriate hardware configuration (see [Section 7.2 "Working in OTP emulation mode"](#)).

Note: It is recommended to use the latest version of FlexGUI.

8.1 Starting the FlexGUI application

After FlexGUI is launched with the `flexgui-app.bat` file, the FlexGUI launcher displays available kits.

Communication bus, SPI, or I2C can be selected at this level. It is also possible to switch from one to the other using the communication tab from the main panel (see [Section 8.2 "Establishing the connection between FlexGUI and the hardware"](#)).

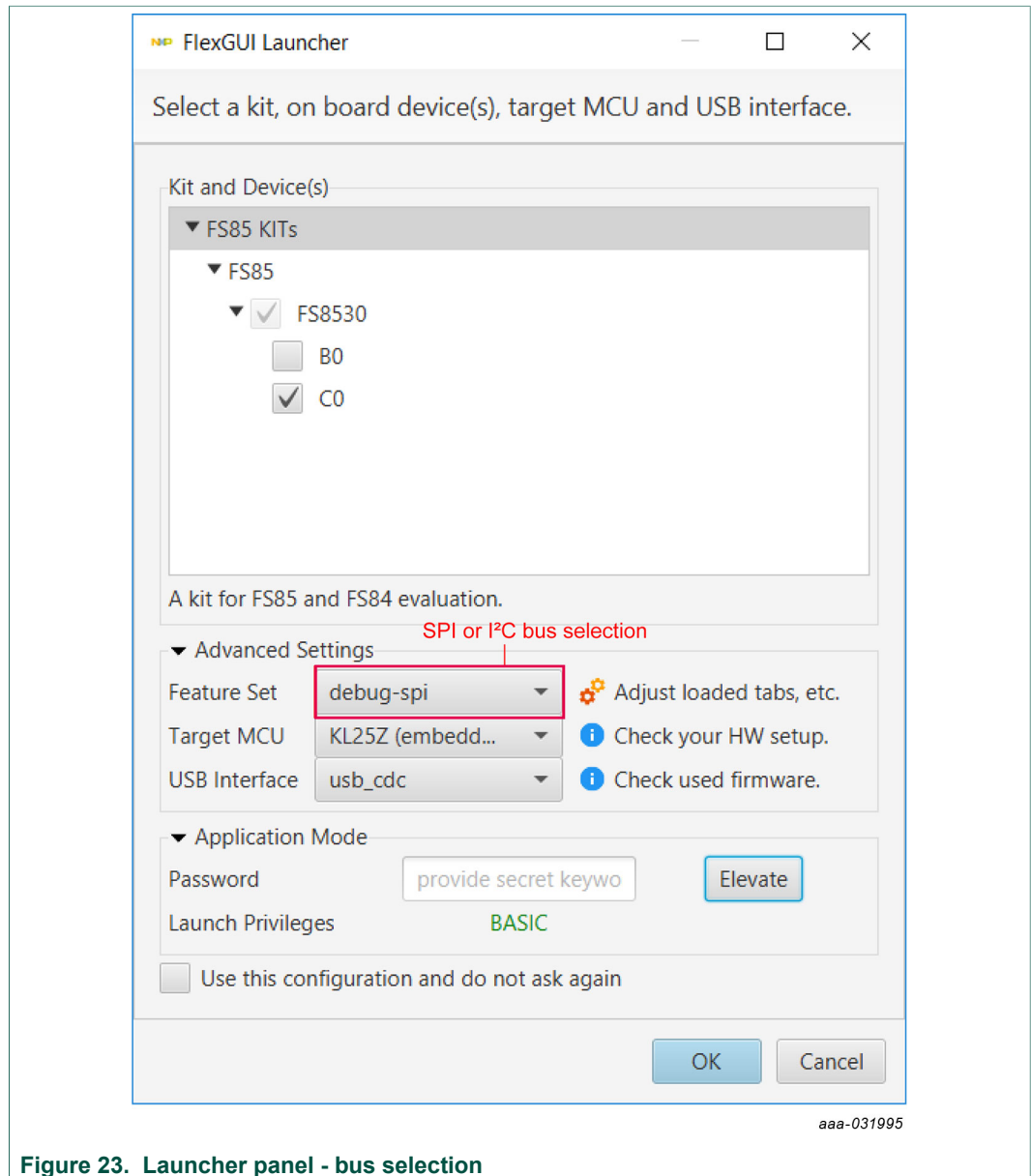


Figure 23. Launcher panel - bus selection

When the configuration is selected, click **OK**.

8.2 Establishing the connection between FlexGUI and the hardware

The board must be connected to the USB before establishing a connection.

- Click **Search** to detect the COM port of the board.
- Click **Start** to enable the connection.

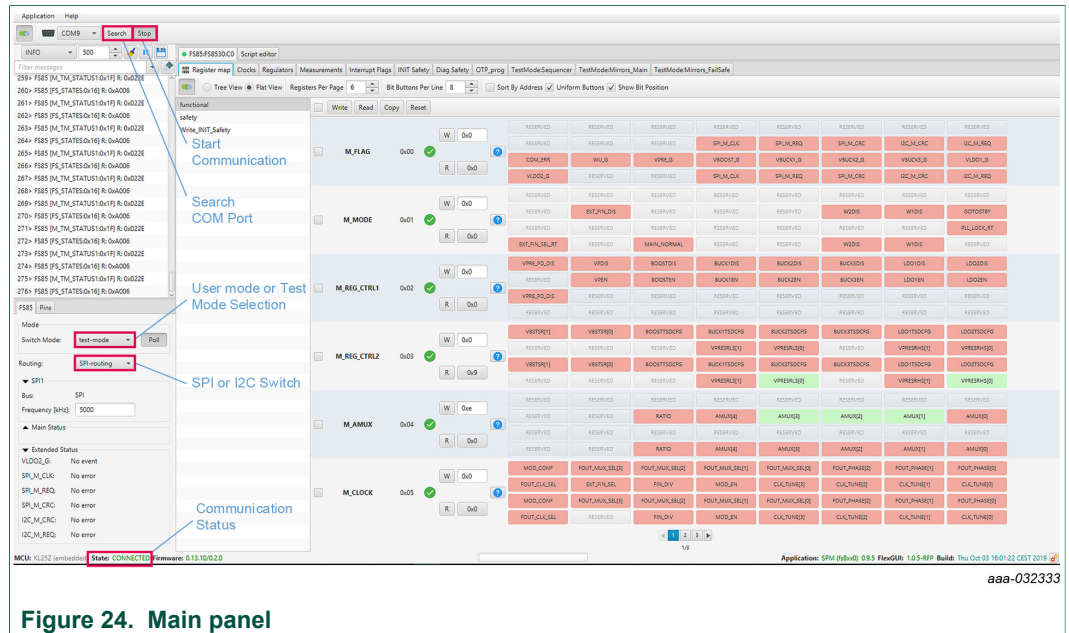


Figure 24. Main panel

Figure 24 shows the mode selection. At first launch, the FlexGUI starts in User mode. The user can then decide to switch to Test mode using the Switch mode drop-down list followed by clicking **Apply**.

The **GUI-Device Status** field checks the connection from MCU to the device. The **ONLINE** status indicates a good connection, while **ERROR** status indicates an issue (for example, V_{SUP} is not provided to the device).

The SPI/I2C communication bus can be changed at any time using the drop-down list. This change is managed by the onboard MCU to communicate with the desired bus.

It is also possible to change the clock frequency using this panel.

Note that in the case of I2C, most of the time, the default address used by the device are 0x20 for main and 0x21 for the fail-safe.

The I2C address is managed differently in Debug and Normal mode.

- Debug mode:
 - I2C address when debug mode pin is set to 5.0 V are 0x20 for main and 0x21 for fail-safe.
 - The user can change this address in the mirror register. The new address is taken into account only after debug pin is released to 0 V.
- Normal mode:
 - The address is burned in the OTP.

The user can read in which mode the device is operating. It is also possible to switch from user mode to test mode (and vice-versa).

The current mode is refreshed only when Poll button is activated. If required, this has to be done at startup (Poll button is disabled by default). See [Figure 25](#).

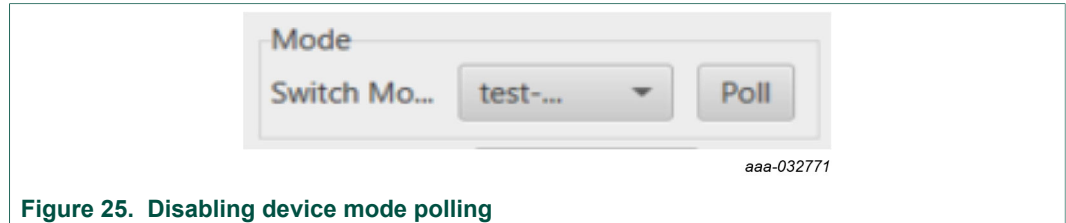


Figure 25. Disabling device mode polling

To move from one mode to the other, select the mode with switch mode drop-down button. If the requested mode is not confirmed by the device (if debug pin is not set, for instance), the drop-down menu switches back to the previous mode.

8.3 Working with the Script editor

The register and OTP emulation can be configured with the script editor. This is particularly useful to try various OTP configurations in Emulation mode.

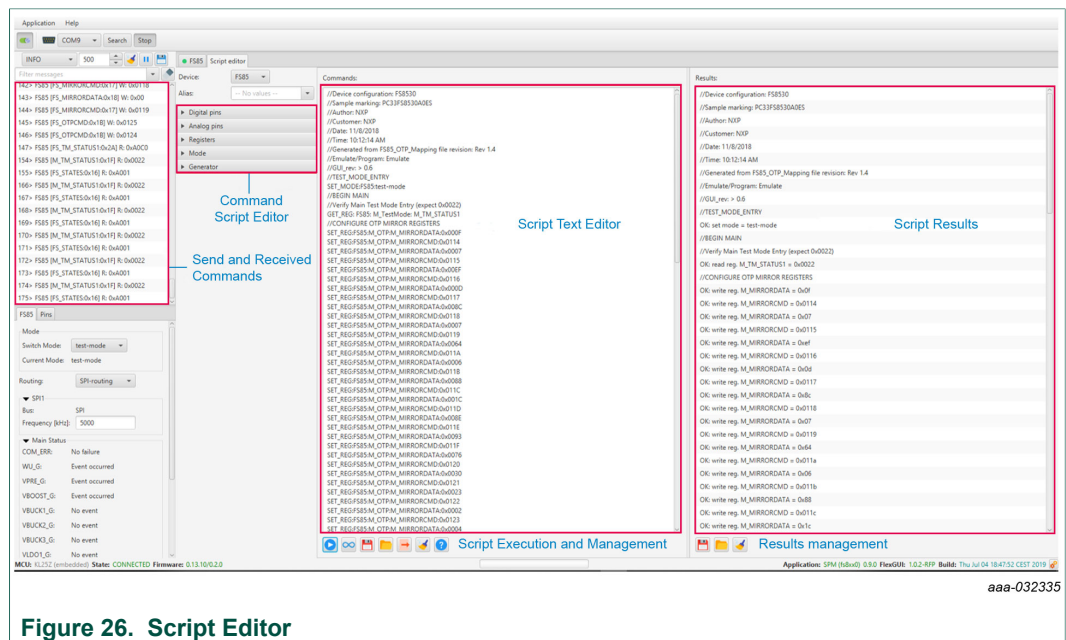


Figure 26. Script Editor

The main subareas of this panel are:

- **Send and receive command:** displays a summary of commands sent and received from the device
- **Command script editor:** builds commands to be sent to the device
- **Script text editor:** sends a sequence of register configurations from a text file or from command edited directly in this area
- **Script results:** displays result status of each command sent to the device

8.3.1 Script text editor

Using Script editor, you can execute any command either directly or from a file. It is also possible to save and modify a script. Using the brush symbol, it is possible to clean windows if needed.

All commands have to follow a specific syntax. The Help menu describes commands available in the script editor and their syntax.

This help page describes commands available in the script editor and their format.

List of commands

- **SET_REG**: sets value of a selected register.
- **READ_REG**: reads value of a selected register.
- **SET_DPIN**: sets value of a selected digital pin.
- **GET_DPIN**: gets value of a selected digital pin.
- **GET_APIN**: gets value of a selected analog pin. Returned value is in mV.
- **PAUSE**: shows a dialog with user defined message. The script is paused until the user confirms the dialog.
- **EXIT**: stops execution of the script.
- **SET_MODE**: sets device mode. List of modes depends on a device.

Command format

The following table describes command parameters. All parameters are mandatory.

	1st parameter	2nd parameter	3rd parameter	4th parameter	5th parameter
SET_REG	Device	Reg. set	Reg. name / Reg. address	Reg. value	-
GET_REG	Device	Reg. set	Reg. name / Reg. address	-	-
SET_DPIN	Device	Pin name	Dig. pin value	-	-
GET_DPIN	Device	Pin name	-	-	-
GET_APIN	Device	Pin name	-	-	-
PAUSE	Message	-	-	-	-
EXIT	-	-	-	-	-

Description of command parameters mentioned in the table above:

- **Device**: device name (alias used in application).
- **Reg. set**: register set name. Register sets allows to associate registers which have similar function.
- **Reg. name**: register name as defined in datasheet.
- **Reg. address**: register address in decimal or hexadecimal (with 0x prefix) format.
- **Reg. value**: register value in decimal or hexadecimal (with 0x prefix) format.
- **Pin name**: name of digital or analog pin as defined in device datasheet.
- **Dig. pin value**: value of digital pin. Allowed strings are 'low' and 'high'.
- **Message**: a message to be displayed in a dialog. It cannot contain '.' character, which is used as delimiter of parameters.
- **Mode**: name of a device mode.

Figure 27 shows an example to build a command from the panel.

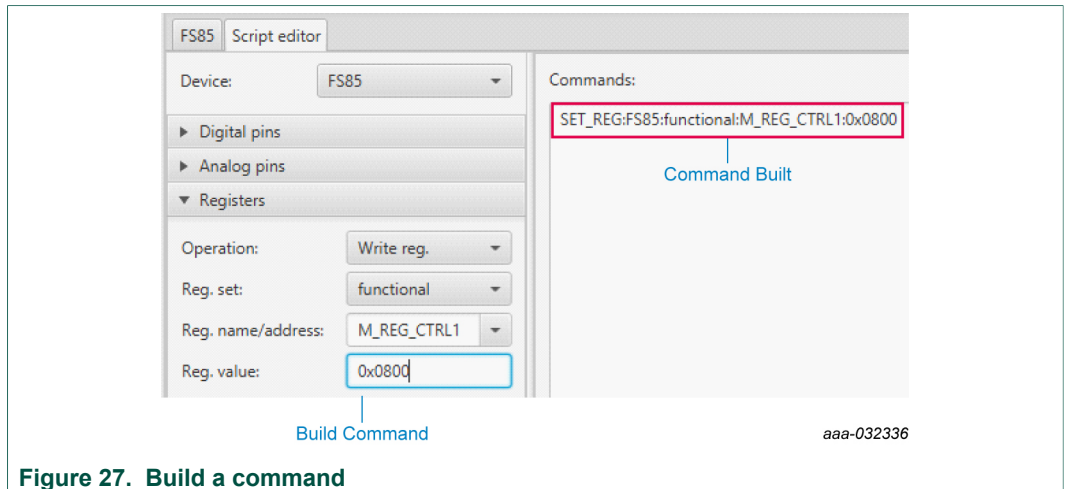


Figure 27. Build a command

The value 0x0800 is sent to the register M_REG_CTRL1 (BUCK2DIS). The user can then send it to the device by clicking the arrow (see [Figure 28](#)).

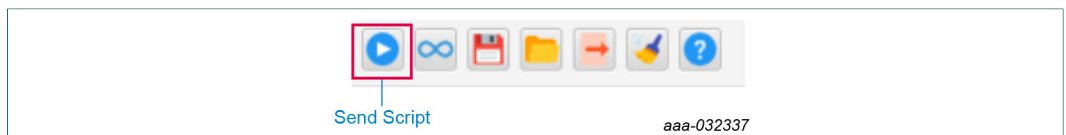


Figure 28. Send script

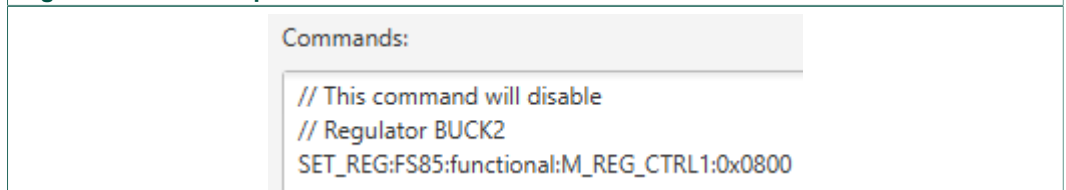


Figure 29. Correct format

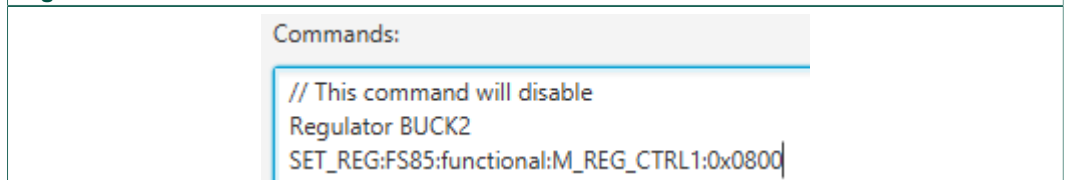


Figure 30. Wrong format (“//” missing in second line)

8.3.2 Script sequence files

The Script editor allows the user to save script sequence files. A script sequence file is text file that contains a set of commands sent to the device in the order they are written, as shown in the following example.

```
// FS85_Release_FS0b
SET_REG:FS85:safety:FS_WD_WINDOW:0x0200
SET_REG:FS85:safety:FS_NOT_WD_WINDOW:0xF50F
SET_REG:FS85:Write_INIT_Safety:FS_I_SAFE_INPUTS:0x51C6
SET_REG:FS85:Write_INIT_Safety:FS_I_NOT_SAFE_INPUTS:AC18
SET_REG:FS85:safety:FS_WD_ANSWER:0x5AB2
SET_REG:FS85:safety:FS_STATES:0x4000
SET_REG:FS85:safety:FS_WD_ANSWER:0x5AB2
SET_REG:FS85:safety:FS_WD_ANSWER:0x5AB2
SET_REG:FS85:safety:FS_WD_ANSWER:0x5AB2
SET_REG:FS85:safety:FS_WD_ANSWER:0x5AB2
SET_REG:FS85:safety:FS_WD_ANSWER:0x5AB2
SET_REG:FS85:safety:FS_WD_ANSWER:0x5AB2
SET_REG:FS85:safety:FS_WD_ANSWER:0x5AB2
SET_REG:FS85:safety:FS_RELEASE_FS0B:0xB2A5
```

Note: Comments can be added with a // prefix.

8.4 Understanding the FS85 workspace

The FS85 workspace consists of several tabs, each dedicated to a specific aspect of device functionality or configuration.

- Register map
- Clocks
- Regulators
- Measurements
- Interrupt flags
- INIT safety
- Diag safety
- OTP programming
- TestMode:Sequencer
- TestMode:Mirrors_Main and TestMode:Mirrors_Failsafe

8.4.1 Register map

All SPI/I2C registers can be accessed in write and read mode using this tab.

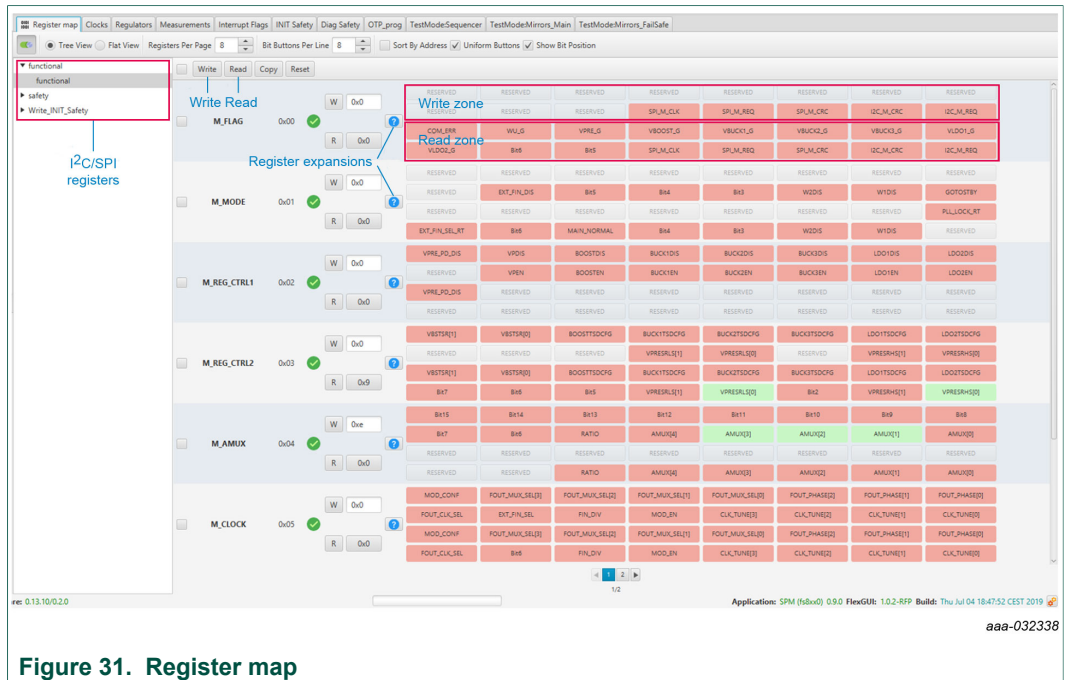


Figure 31. Register map

- **Register map:** allows access to functional register, safety register and write init register which is accessible only during initialization phase
- **Read:** allows you to read any register either individually or by bank
- **Write:** allows you to write any register either individually or by bank
- **Register expansion:** displays the value of each device parameter

8.4.2 Clocks

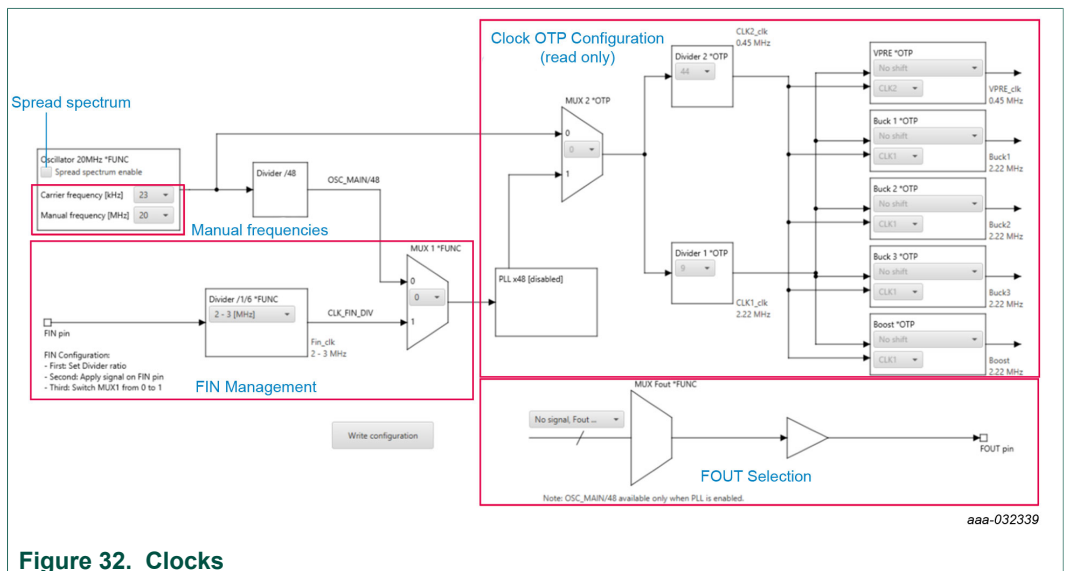


Figure 32. Clocks

This tab allows:

OTP:

- Read current OTP configuration (write operation is not possible). To display the accurate data, the device must operate in Test mode.

SPI/I2C:

- Configure the device to work with FIN input
- Select the signal to apply on FOUT pin
- Play with manual frequencies and spread spectrum

8.4.3 Regulators

The regulator has two main areas:

- Low voltage (LV) regulators configuration
- VPRE compensation network calculation

Each regulator can either be enabled or disabled by SPI/I2C. The thermal shutdown behavior can be configured to either shutdown the regulator, or shutdown the regulator and transition to deep fail-safe. The write button applies to the entire table. The VPRE compensation network calculator helps to define the value for VPRE external compensation network.

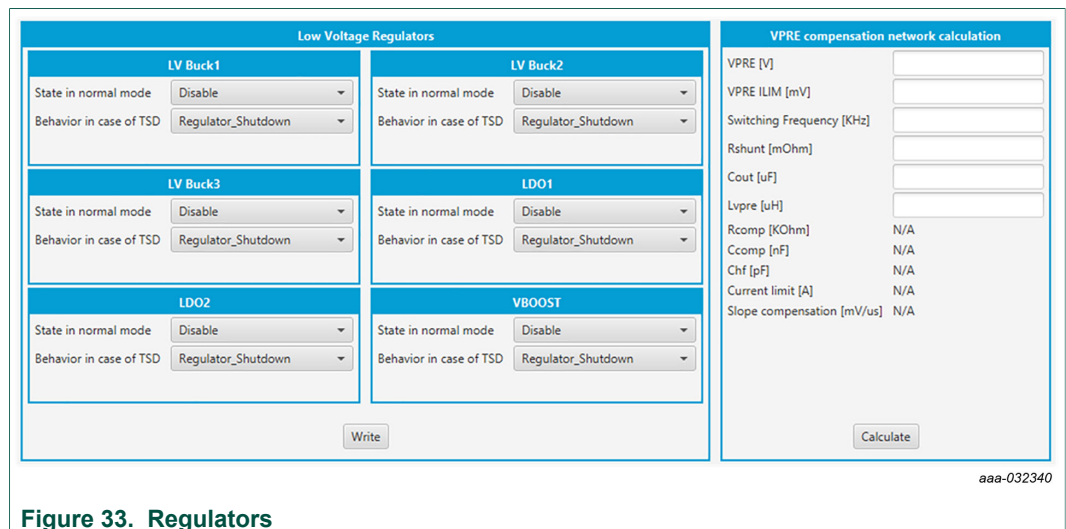


Figure 33. Regulators

8.4.4 Measurements

This tab enables two features:

- Read any of the AMUX signals over time
- Display regulator voltage summary

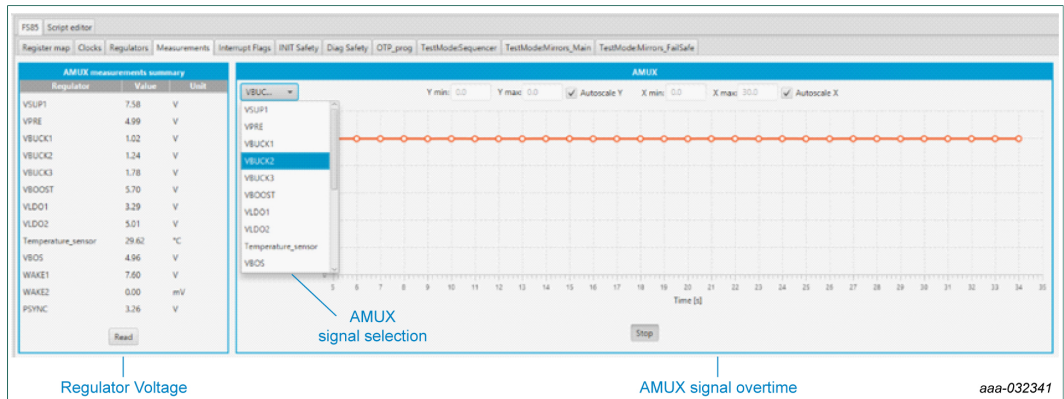


Figure 34. Measurements

8.4.5 Interrupt flags

This tab allows you to set or clear flags. It is also possible to mask the interruption.



Figure 35. Interrupt flags

8.4.6 INIT safety

This tab allows you to manage all registers that can be configured to close the initialization phase. The initialization phase is closed by the first good watchdog refresh before 256 ms timeout.

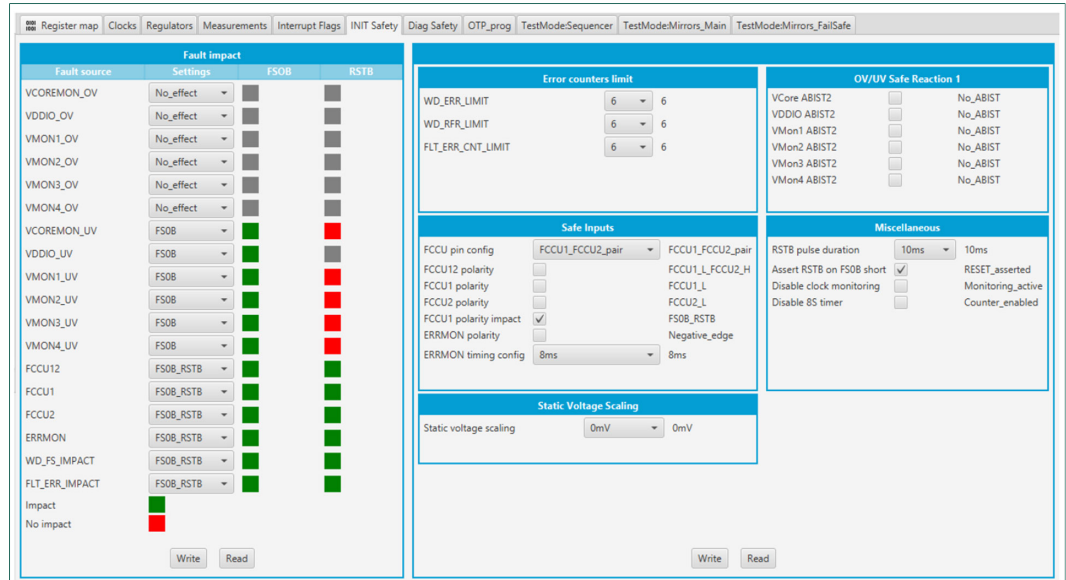


Figure 36. INIT safety

8.4.7 Diag safety

The watchdog type configured in the OTP has to be manually selected in the drop-down list to play with the watchdog features. If the user is not aware about the type of watchdog configured in the OTP, it can be found in TestMode:Mirrors_Failsafe and Miscellaneous tabs.

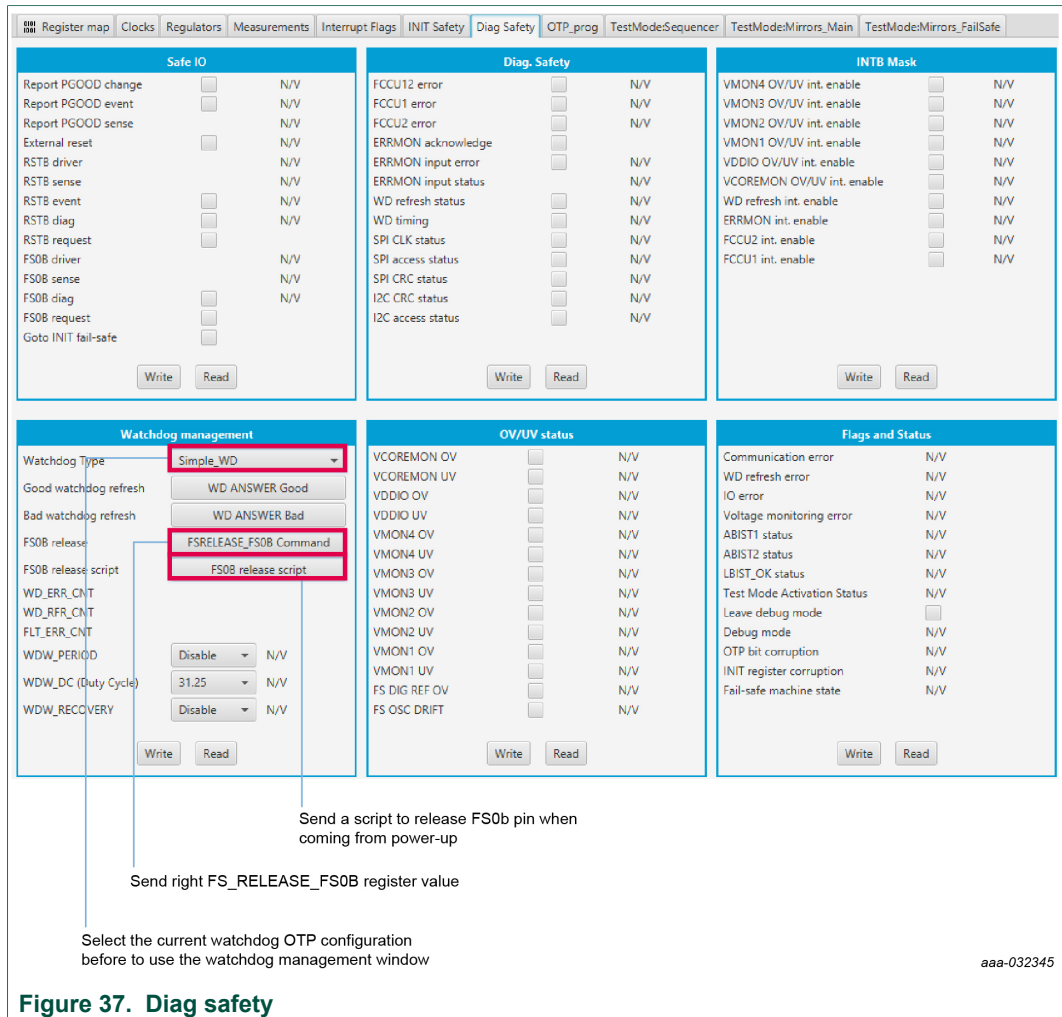


Figure 37. Diag safety

The FS_Release_FS0B command calculates and sends the right secure16-bit word to release FS0B.

A simplified way to release FS0B after power up is to, first, select the right type of watchdog configured in the OTP, then, hit FS0B Release script button. This sends the right sequence to close the initialization sequence, sets the error counter back to 0, then releases FS0B.

8.4.8 OTP programming

This tab allows you to burn the OTP using a script generated by the excel file OTP configuration (see [Section 7.1 "Generating the OTP configuration file "](#)).

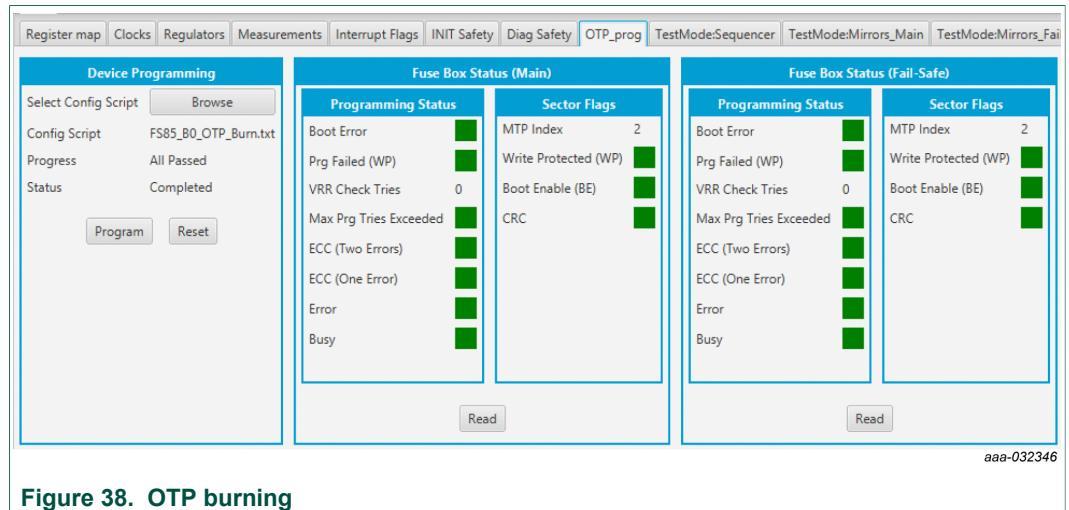


Figure 38. OTP burning

To set up the hardware before OTP burning, see [Section 7.3 "Programming the device with an OTP configuration"](#).

See [Figure 38](#) and follow the steps:

- Browse and load the script file you want to burn. The program button is then available.
- Click **Program**.

FlexGUI pops up to turn the 8.0 V On, and then turns Off. Note that the blue LED on the board indicates that an 8.0 V voltage is available on the Debug pin. This voltage is used only during the burning process, and should not be applied in any other configuration. At the end of the first OTP programming, the MTP index = 1, WP, BE, and CRC flags are green.

The Sector Flags area provides status [Table 20](#) provides the state of main flags after a read. This helps to determine how many times the part was burned.

Table 20. OTP burning flag status

OTP burning step	BE	WP	CRC	MTP Index
OTP not burn Mirrors Empty	Red	Red	Red	1
OTP not Burn Mirrors Filled	Red	Red	Green	1
1	Green	Green	Green	1
2	Green	Green	Green	2
3	Green	Green	Green	3

Example shown in [Figure 38](#) corresponds to the OTP burning step 2 from [Table 20](#).

To check if a valid OTP configuration is already burned, switch V_{BAT} Off, then On, and start the device. The device starts with the OTP configuration.

8.4.9 TestMode:Sequencer

The sequencer allows you to display the slot configuration for the device. To be able to access this tab, the device has to be in Test mode. The configuration is read from mirror register. It is possible to modify it and update the mirror register.

As an example, the slot sequence is filled at startup with the content of OTP fuses. Then the user can decide to modify any of the configurations coming from the OTP fuse. Note that all these actions are done with Debug pin at 5.0 V and in test mode.

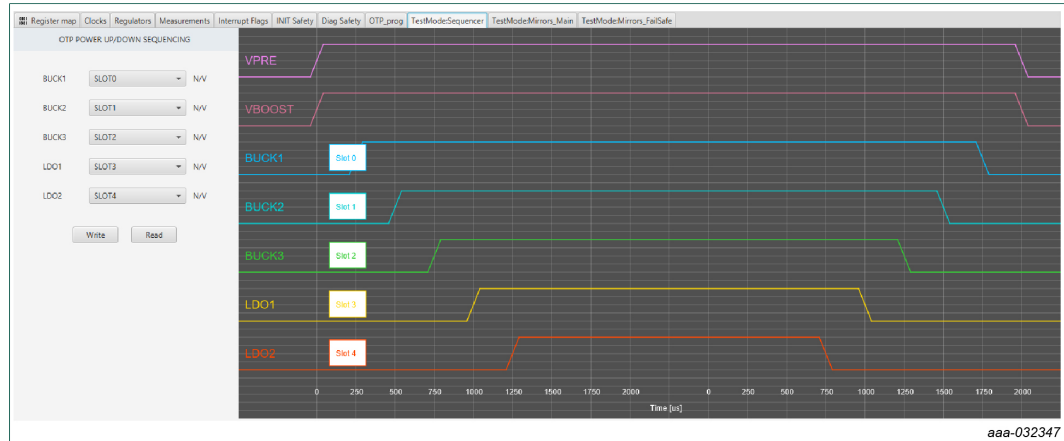


Figure 39. TestMode:Sequencer

Use the drop-down button (see [Figure 40](#)) to select the appropriate slot. The selection configuration can be sent to the device by clicking Write button. The current status can be read by using Read button.

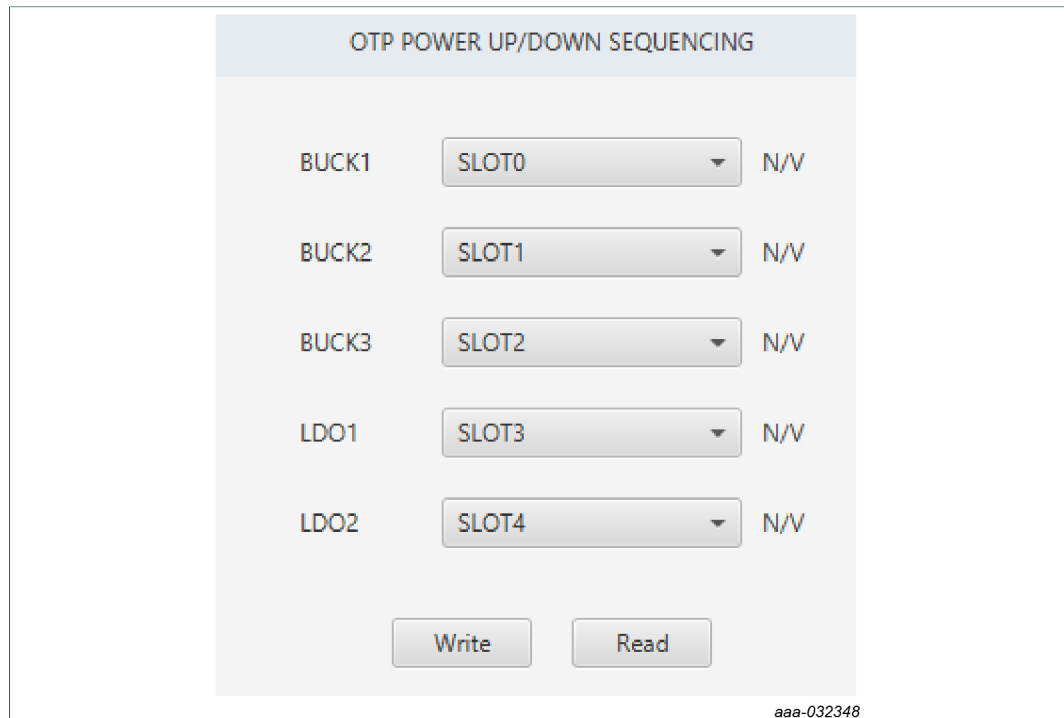


Figure 40. Slot management

8.4.10 TestMode:Mirrors_Main and TestMode:Mirrors_Failsafe

The TestModeMirrors_Main and TestModeMirrors_FailSafe tabs allow access to the OTP main mirrors and fail-safe registers. These tabs are available in Test mode.

In this panel, some parameters are highlighted in red. The red indicates that these parameters are not considered in case of emulation mode (accessible only in debug mode). The user must rewrite by SPI or I2C after startup.

This concerns only:

- VPRE and VBOOST slew rate
- All regulator behavior in case of TSD

The screenshot displays a configuration interface for the TestMode:Mirrors_Main. It is organized into several panels, each with a title and a list of parameters with their current values and dropdown menus. Parameters are either in black text (active) or red text (not considered in emulation mode). 'Write' and 'Read' buttons are present at the bottom of each panel.

- VPRE:** VPRE mode (Force PWM), Output voltage (17), Slope compensation (170mV/us), Current limitation threshold (50mV), Low Side slew rate control (130mA), High Side slew rate control (260mA), VPRE phase (delay) selection (Delay2), Delay to turn OFF VPRE at device power down (32ms), VPRE clock selection (CLK_DIV1).
- BOOST:** Output voltage (1), BOOST enable (Disabled), BOOST minimum ON time (60ns), VBOOST slope compensation (17), Compensation Network Resistor (750kohms), Compensation Network Capacitor (1), VBOOST current limitation (0), VBOOST Low Side slew rate control (1), BOOST phase (delay) selection (Delay1), BOOST clock selection (CLK_DIV2), Regulator behavior in case of TSD (BOOST shutdown).
- LDOs:** VLD02 current limitation (400mA), VLD02 output voltage (1.2V), LDO2 sequencing slot (Slot2), Regulator behavior in case of TSD (LDO2 shutdown), VLD01 current limitation (400mA), VLD01 output voltage (1.2V), LDO1 sequencing slot (Slot1), Regulator behavior in case of TSD (LDO1 shutdown).
- BUCK1:** VBUCK1 output voltage (17), BUCK1 inductor selection (1.5uH), VBUCK1 current limitation (0), VBUCK1 & VBUCK2 multiphase operation (Enabled), BUCK1 Compensation Network (65GM), BUCK1 sequencing slot (Slot1), BUCK1 phase (delay) selection (Delay2), BUCK1 clock selection (CLK_DIV1), Regulator behavior in case of TSD (BUCK1 shutdown), BUCK1 and BUCK2 Soft start/stop configuration (7.81mV/us).
- BUCK2:** VBUCK2 output voltage (17), BUCK2 inductor selection (1uH), BUCK2 enable (Enabled), VBUCK2 current limitation (0), BUCK2 compensation network (0), BUCK2 sequencing slot (Slot2), BUCK2 phase (delay) selection (Delay1), BUCK2 clock selection (CLK_DIV1), Regulator behavior in case of TSD (BUCK2 shutdown).
- BUCK3:** VBUCK3 output voltage (2.8V), BUCK3 enable (Disabled), BUCK3 inductor selection (1uH), VBUCK3 current limitation (2.6A), BUCK3 compensation resistor (Default), BUCK3 gain control (1), BUCK3 sequencing slot (Slot1), BUCK3 phase (delay) selection (Delay2), BUCK3 clock selection (CLK_DIV1), Regulator behavior in case of TSD (BUCK3 shutdown), Soft start/stop configurability (3.47mV/us).
- CLOCK:** PLL enable (Disabled), Divider 1 setting (Divide8), Divider 2 setting (Divide10).
- SM:** Deep Fail-safe infinite autoretry enable (Disabled), Deep Fail-safe autoretry enable (Disabled), Synchronization with 1x FS85 or 1x PF82 (2xFS85), Synchronization with 2 devices (Enabled), Device I2C address (D1).
- VSUP UV/OV:** VSUP Under Voltage Threshold Configuration (6.2V), Regulator assigned to VDDIO (OV) (VPRE).

aaa-032350

Figure 41. TestMode: Mirrors_Main

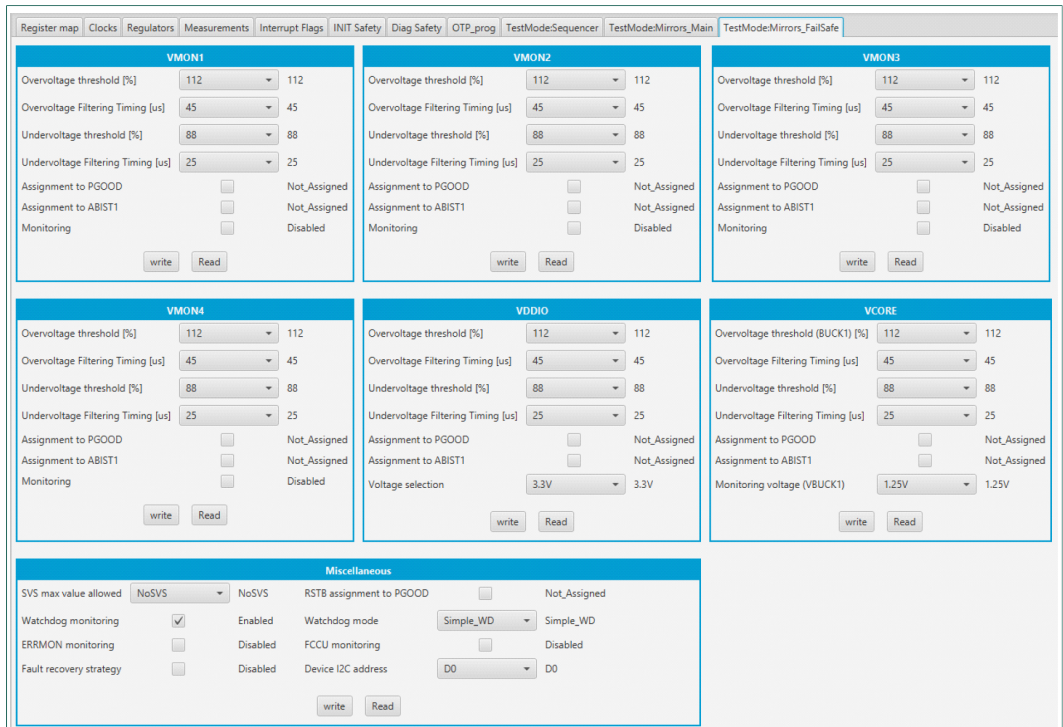


Figure 42. TestMode: Mirrors_FailSafe

The Read button provides the status. The Write button changes the configuration in mirror register. This can be useful, for example, to modify few parameters from OTP fuse to start up the board.

9 References

- [1] **KITFS85FRDMEVM** — detailed information on this board, including documentation, downloads, and software and tools
<http://www.nxp.com/KITFS85FRDMEVM>
- [2] **FS8500** — product information on FS8500, Safety system basis chip for S32 microcontrollers, fit for ASIL D
<http://www.nxp.com/FS8500>
- [3] **FS8400** — product information on FS8400, Safety system basis chip for S32 microcontroller, fit for ASIL B
<http://www.nxp.com/FS8400>
- [4] **FS85_FS84_OTP_Config.xlsm** — OTP configuration file

10 Revision history

Revision history

Rev	Date	Description
v.3	20191206	<ul style="list-style-type: none">• Section 8.1: updated Figure 23• Section 8.2: updated description and Figure 24, Figure 25• Section 8.3: updated Figure 26• Section 8.3.1: updated Figure 28• Section 8.4.1: updated Figure 31• Section 8.4.2: updated Figure 32• Section 8.4.6: updated Figure 36• Section 7.1: updated OTP_conf_main_reg spreadsheet example• Section 8.4.3: updated Figure 33• Section 8.4.10: updated Figure 41
v.2	20190220	<ul style="list-style-type: none">• Global: reorganized content to match latest template• Section 7.1: replaced FS85_OTP_Configuration.xls by FS85_FS84_OTP_Config.xlsm• Section 4.3.5: updated Table 13• Section 6: updated the configuration procedure• Section 8.4.7: updated Figure 37• Section 8.4.9: updated Figure 39 and Figure 40• Section 8.4.10: updated Figure 41
v.1	20181204	Initial version

11 Legal information

11.1 Definitions

Draft — The document is a draft version only. The content is still under internal review and subject to formal approval, which may result in modifications or additions. NXP Semiconductors does not give any representations or warranties as to the accuracy or completeness of information included herein and shall have no liability for the consequences of use of such information.

11.2 Disclaimers

Limited warranty and liability — Information in this document is believed to be accurate and reliable. However, NXP Semiconductors does not give any representations or warranties, expressed or implied, as to the accuracy or completeness of such information and shall have no liability for the consequences of use of such information. NXP Semiconductors takes no responsibility for the content in this document if provided by an information source outside of NXP Semiconductors. In no event shall NXP Semiconductors be liable for any indirect, incidental, punitive, special or consequential damages (including - without limitation - lost profits, lost savings, business interruption, costs related to the removal or replacement of any products or rework charges) whether or not such damages are based on tort (including negligence), warranty, breach of contract or any other legal theory. Notwithstanding any damages that customer might incur for any reason whatsoever, NXP Semiconductors' aggregate and cumulative liability towards customer for the products described herein shall be limited in accordance with the Terms and conditions of commercial sale of NXP Semiconductors.

Right to make changes — NXP Semiconductors reserves the right to make changes to information published in this document, including without limitation specifications and product descriptions, at any time and without notice. This document supersedes and replaces all information supplied prior to the publication hereof.

Applications — Applications that are described herein for any of these products are for illustrative purposes only. NXP Semiconductors makes no representation or warranty that such applications will be suitable for the specified use without further testing or modification. Customers are responsible for the design and operation of their applications and products using NXP Semiconductors products, and NXP Semiconductors accepts no liability for any assistance with applications or customer product design. It is customer's sole responsibility to determine whether the NXP Semiconductors product is suitable and fit for the customer's applications and products planned, as well as for the planned application and use of customer's third party customer(s). Customers should provide appropriate design and operating safeguards to minimize the risks associated with their applications and products. NXP Semiconductors does not accept any liability related to any default, damage, costs or problem which is based on any weakness or default in the customer's applications or products, or the application or use by customer's third party customer(s). Customer is responsible for doing all necessary testing for the customer's applications and products using NXP Semiconductors products in order to avoid a

default of the applications and the products or of the application or use by customer's third party customer(s). NXP does not accept any liability in this respect.

Suitability for use in automotive applications — This NXP Semiconductors product has been qualified for use in automotive applications. Unless otherwise agreed in writing, the product is not designed, authorized or warranted to be suitable for use in life support, life-critical or safety-critical systems or equipment, nor in applications where failure or malfunction of an NXP Semiconductors product can reasonably be expected to result in personal injury, death or severe property or environmental damage. NXP Semiconductors and its suppliers accept no liability for inclusion and/or use of NXP Semiconductors products in such equipment or applications and therefore such inclusion and/or use is at the customer's own risk.

Export control — This document as well as the item(s) described herein may be subject to export control regulations. Export might require a prior authorization from competent authorities.

Evaluation products — This product is provided on an "as is" and "with all faults" basis for evaluation purposes only. NXP Semiconductors, its affiliates and their suppliers expressly disclaim all warranties, whether express, implied or statutory, including but not limited to the implied warranties of non-infringement, merchantability and fitness for a particular purpose. The entire risk as to the quality, or arising out of the use or performance, of this product remains with customer. In no event shall NXP Semiconductors, its affiliates or their suppliers be liable to customer for any special, indirect, consequential, punitive or incidental damages (including without limitation damages for loss of business, business interruption, loss of use, loss of data or information, and the like) arising out of the use of or inability to use the product, whether or not based on tort (including negligence), strict liability, breach of contract, breach of warranty or any other theory, even if advised of the possibility of such damages. Notwithstanding any damages that customer might incur for any reason whatsoever (including without limitation, all damages referenced above and all direct or general damages), the entire liability of NXP Semiconductors, its affiliates and their suppliers and customer's exclusive remedy for all of the foregoing shall be limited to actual damages incurred by customer based on reasonable reliance up to the greater of the amount actually paid by customer for the product or five dollars (US\$5.00). The foregoing limitations, exclusions and disclaimers shall apply to the maximum extent permitted by applicable law, even if any remedy fails of its essential purpose.

Translations — A non-English (translated) version of a document is for reference only. The English version shall prevail in case of any discrepancy between the translated and English versions.

11.3 Trademarks

Notice: All referenced brands, product names, service names and trademarks are the property of their respective owners.

NXP — is a trademark of NXP B.V.

SMARTMOS — is a trademark of NXP B.V.

Tables

Tab. 1.	VMONx voltage assignment	4	Tab. 11.	Program connector (J15)	16
Tab. 2.	Compensation network	5	Tab. 12.	Evaluation board test point descriptions	17
Tab. 3.	Evaluation board component descriptions	11	Tab. 13.	Evaluation board jumper descriptions	18
Tab. 4.	Evaluation board indicator descriptions	13	Tab. 14.	SW1	19
Tab. 5.	VBAT Phoenix connector (J1)	14	Tab. 15.	SW2	19
Tab. 6.	BUCK1/BUCK2 connector (J8)	15	Tab. 16.	SW3	19
Tab. 7.	VBOOST/BUCK3 connector (J7)	15	Tab. 17.	Jumper configuration	29
Tab. 8.	LDO1/LDO2 connector (J2)	15	Tab. 18.	Switch configuration	29
Tab. 9.	VPRE connector (J4)	15	Tab. 19.	FS85 starting sequence example	34
Tab. 10.	Debug connector (J16)	15	Tab. 20.	OTP burning flag status	46

Figures

Fig. 1.	KITFS85FRDMEVM	1	Fig. 21.	OTP_conf_summary example	32
Fig. 2.	VPRE compensation network	5	Fig. 22.	OTP script generation	32
Fig. 3.	BUCK1 and BUCK2 multiphase configuration	6	Fig. 23.	Launcher panel - bus selection	35
Fig. 4.	SPI connection to KL25Z	6	Fig. 24.	Main panel	36
Fig. 5.	J15 SPI connection	6	Fig. 25.	Disabling device mode polling	37
Fig. 6.	VDDIO selection	7	Fig. 26.	Script Editor	37
Fig. 7.	VDDI2C supply	7	Fig. 27.	Build a command	39
Fig. 8.	FIN oscillator	8	Fig. 28.	Send script	39
Fig. 9.	OTP configuration	9	Fig. 29.	Correct format	39
Fig. 10.	Debug mode entry	9	Fig. 30.	Wrong format ("//" missing in second line)	39
Fig. 11.	OTP hardware implementation	10	Fig. 31.	Register map	41
Fig. 12.	Evaluation board featured component locations	11	Fig. 32.	Clocks	41
Fig. 13.	Evaluation board indicator locations	13	Fig. 33.	Regulators	42
Fig. 14.	Evaluation board connector locations	14	Fig. 34.	Measurements	43
Fig. 15.	Evaluation board test points	17	Fig. 35.	Interrupt flags	43
Fig. 16.	Evaluation board jumper locations	18	Fig. 36.	INIT safety	44
Fig. 17.	Switch locations	19	Fig. 37.	Diag safety	45
Fig. 18.	Typical initial configuration	29	Fig. 38.	OTP burning	46
Fig. 19.	OTP_conf_main_reg spreadsheet example	31	Fig. 39.	TestMode:Sequencer	47
Fig. 20.	OTP_conf_failsafe_reg spreadsheet example	31	Fig. 40.	Slot management	47
			Fig. 41.	TestMode: Mirrors_Main	48
			Fig. 42.	TestMode: Mirrors_FailSafe	49

Contents

1	Introduction	2	8.1	Starting the FlexGUI application	35
2	Finding kit resources and information on the NXP web site	2	8.2	Establishing the connection between FlexGUI and the hardware	36
2.1	Collaborate in the NXP community	2	8.3	Working with the Script editor	37
3	Getting ready	2	8.3.1	Script text editor	37
3.1	Kit contents	2	8.3.2	Script sequence files	40
3.2	Additional hardware	3	8.4	Understanding the FS85 workspace	40
3.3	Windows PC workstation	3	8.4.1	Register map	40
3.4	Software	3	8.4.2	Clocks	41
4	Getting to know the hardware	3	8.4.3	Regulators	42
4.1	Kit overview	3	8.4.4	Measurements	42
4.1.1	KITFS85FRDMEVM features	4	8.4.5	Interrupt flags	43
4.1.2	VMON configuration	4	8.4.6	INIT safety	44
4.1.3	VPRE compensation network	5	8.4.7	Diag safety	44
4.1.4	BUCK1 and BUCK2 multiphase configuration	5	8.4.8	OTP programming	46
4.1.5	SPI/I2C	6	8.4.9	TestMode:Sequencer	47
4.1.6	VDDI2C	7	8.4.10	TestMode:Mirrors_Main and TestMode:Mirrors_Failsafe	48
4.1.7	FIN external oscillator	7	9	References	49
4.2	Device OTP user configuration	8	10	Revision history	50
4.2.1	OTP and mirrors registers	8	11	Legal information	51
4.2.2	OTP hardware implementation	9			
4.3	Kit featured components	10			
4.3.1	FS8500/FS8400: Fail-safe system basis chip with multiple SMPS and LDO	12			
4.3.1.1	General description	12			
4.3.1.2	Features	12			
4.3.2	Indicators	13			
4.3.3	Connectors	14			
4.3.3.1	VBAT connector (J1)	14			
4.3.3.2	Output power supply connectors	15			
4.3.3.3	Debug connector (J16)	15			
4.3.3.4	Program connector (J15)	16			
4.3.4	Test points	16			
4.3.5	Jumpers	18			
4.3.6	Switches	19			
4.4	Schematic, board layout and bill of materials ...	20			
5	Installing and configuring software and tools	20			
5.1	Installing the Java JRE	20			
5.2	Installing Windows 7 FlexGUI driver	20			
5.3	Installing FlexGUI software package	28			
6	Configuring the hardware for startup	29			
7	Using the KITFS85FRDMEVM evaluation board	30			
7.1	Generating the OTP configuration file	30			
7.2	Working in OTP emulation mode	32			
7.2.1	Example script: Closing initialization phase, disabling FCCU monitoring, and releasing FS0B	34			
7.3	Programming the device with an OTP configuration	34			
8	Using FlexGUI	35			

Please be aware that important notices concerning this document and the product(s) described herein, have been included in section 'Legal information'.

© NXP B.V. 2019.

All rights reserved.

For more information, please visit: <http://www.nxp.com>

For sales office addresses, please send an email to: salesaddresses@nxp.com

Date of release: 6 December 2019

Document identifier: UM11157

Mouser Electronics

Authorized Distributor

Click to View Pricing, Inventory, Delivery & Lifecycle Information:

[NXP:](#)

[KITFS85FRDMEVM](#)