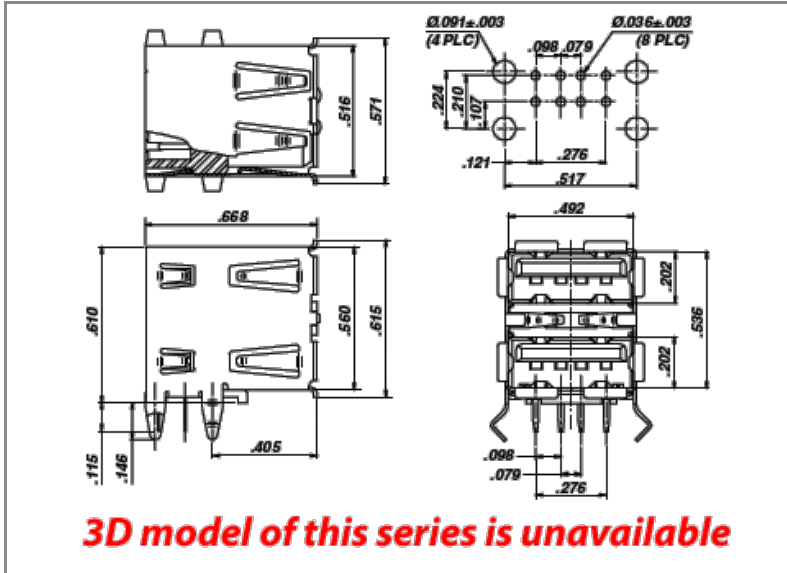


PRODUCT NUMBER: 896-43-004-90-000000



DESCRIPTION

USB Connector
 Type A
 USB 2.0
Rows: Single Row (1)
Clip Grid: 90
Pin Window Pattern 000
Plating Code:
 Shell: 200 μ" Tin (matte finish) over 100 μ"
 Nickel
 Inner Contact: 30 μ" Gold over 50 μ" Nickel
Insulator Pin Clip Type: 000
Mounting Type: Through Hole Solder Mount
Packaging: Packaged in Trays
Insulator Information:
 High Temperature

# Pins	Qty Tube	ROHS Compliant
--------	----------	----------------

4

150



ADDITIONAL NOTES & SPECIFICATIONS

In the interest of improved design, quality and performance, Mill-Max reserves the right to make changes in its specifications without prior notice. Specifications and tolerances are provided wherever possible. Due to the wide variety of interconnects Mill-Max offers, the specific tolerances vary from product to product. If you need information regarding the tolerance of a particular part, please contact Technical Services.

© 2020 Mill-Max Mfg. Corp.
 190 Pine Hollow Rd , Oyster Bay, NY 11771, USA
 Phone: 516.922.6000